

VALVE SIZE	VALVE Cv
1/2"	15
3/4"	45
1"	85
1-1/2"	275
2"	460
2-1/2"	700
3"	1100
4"	2200
6"	5150

Reinforced RTFE seats are standard, but various options are available for seat materials. The 50/50 seat option is excellent for services that call for higher temperatures and more difficult applications, including steam. Call us for details.

Easy to Automate!

See automated data sheets for pre-sized assemblies



Electric



Pneumatic

TRIAC
CONTROLS

Series D9

Direct Mount Split Body Flanged Ball Valve

Sizes 1/2" – 6"

Available in 316SST or WCB

150#ANSI

Full Port Design

Superior Live Loaded Packing System

ISO5211 Actuator Mounting Pad

Anti-Static Device

Each Valve Traceable**

STANDARDS

Design
Face to Face
Flange Dimensions
Pipeline Valves
Pressure Testing
Mounting Pad
Marking System for Valves
Material Certification
Quality Assurance

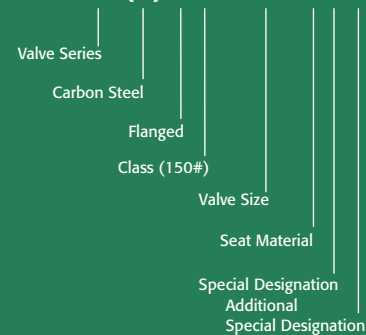
ANSI B 16.34
ANSI B 16.10
ANSI B 16.5
API 6D
API 598
ISO 5211
MSS SP-25
EN 10204
ISO 9001



HOW TO ORDER MANUAL VALVES

SAMPLE PART #

D9(C)-F1-0300-XXX



See part number matrix for itemized options

AT **A-T Controls, Inc.**

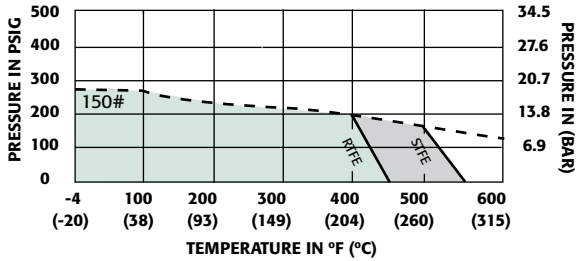
9955 International Blvd.
Cincinnati, Ohio 45246
www.atcontrols.com

PHONE (513) 247-5465
FAX (513) 247-5462
sales@atcontrols.com

Series D9

High Performance, Full Port Split Body Ball Valve Series D9 (ANSI Class 150)

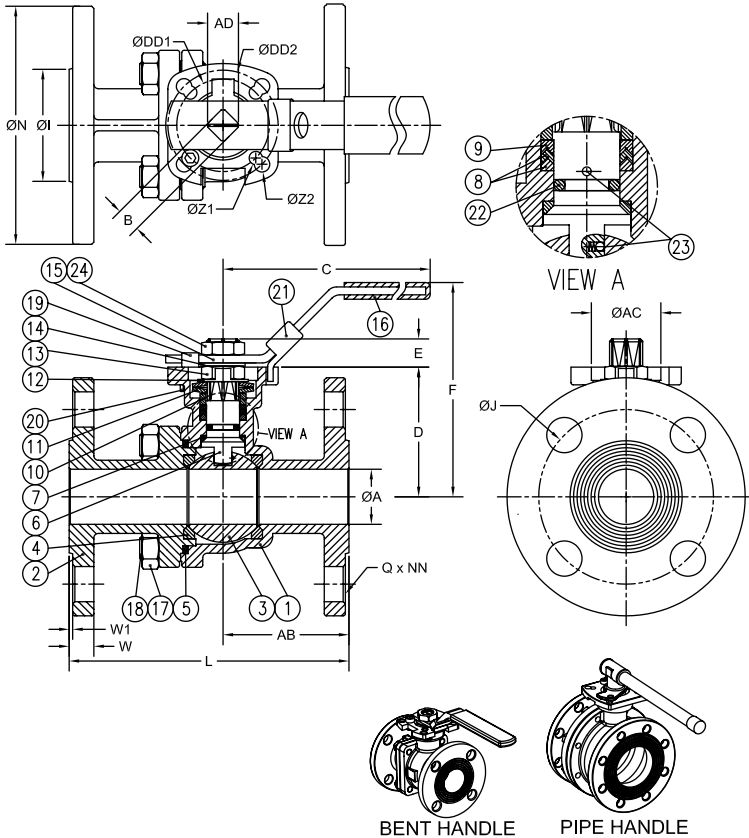
Pressure vs. Temperature Chart



Consult factory for other seat material.

BREAKAWAY TORQUES RTFE SEATS	
SIZE	IN-LBS.
1/2"	92
3/4"	127
1"	150
1-1/2"	360
2"	395
2-1/2"	600
3"	900
4"	1500
6"	2550

NOTE: For other seat material, consult factory



MATERIALS LIST

NO.	PART NAME	QTY.	MATERIAL	
			Stainless Steel	Carbon Steel
1	Body	1	CF8M	WCB
2	End Cap	1	CF8M	WCB
3	Ball	1	SS316	SS316
4	Seat	2	RTFE	RTFE
5	Joint Gasket	1	PTFE	PTFE
6	Stem	1	SS316	SS316
7	Stem Seal	1	RTFE	RTFE
8	Gland Packing &		PTFE	PTFE
9	Gland Packing	1	RTFE	RTFE
10	Gland Bush	1	SS304	SS304
11	Belleville Washer	2	SS301	SS301
12	Stop Washer	1	SS304	SS304
13	Stem Nut	2	SS304	SS304
14	Stem Washer	1	SS304	SS304
15	Handle	1	SS304	SS304
16	Handle Sleeve	1	Vinyl	Vinyl
17	Bolt Nut	*	SS304	SS304
18	Bolt	*	SS304	SS304
19	Stop Pin	1	SS304	SS304
20	Pin Nut	1	SS304	SS304
21	Locking Device	1	SS304	SS304
22	O-Ring	1	Viton®	Viton®
23	Anti-Static Device	@	SS304	SS304
24	Handle Nut	1	SS304	SS304

& For 1/2" - 1", Qty.=2
 & For 1/2" - 6", Qty.= 3
 * For 1/2" - 2", 4 pcs. of studs and nuts
 * For 2-1/2" - 6", 8 pcs. of studs and nuts
 @ For 1/2", 1 pc., 1-1/2" - 6", 2 pcs.

DIMENSIONS (IN)

SIZE	A	B	C	D	E	F	I	J	L	N	Q	W	W1	Z1	Z2	AB	AC	AD	DD1	DD2	NN	ISO5211	(LBS)
1/2"	0.59	0.433	6.50	1.84	0.39	3.30	1.38	2.38	4.26	3.50	0.63	0.44	0.06	0.26	0.28	1.84	1.26	0.55	1.654	1.969	4	F04/F05	4.0
3/4"	0.79	0.433	6.50	2.02	0.39	3.45	1.69	2.74	4.62	3.88	0.63	0.44	0.06	0.26	0.28	2.18	1.26	0.55	1.654	1.969	4	F04/F05	5.0
1"	0.98	0.433	6.50	2.31	0.41	3.81	2.00	3.12	5.00	4.25	0.63	0.44	0.06	0.26	0.28	2.21	1.26	0.55	1.654	1.969	4	F04/F05	7.0
1-1/2"	1.50	0.748	10.32	3.51	0.75	5.60	2.88	3.88	6.50	5.00	0.63	0.56	0.06	0.39	0.47	2.83	2.09	0.94	2.756	4.016	4	F07/F10	14.5
2"	1.97	0.748	10.32	3.80	0.75	5.78	3.62	4.75	7.02	6.00	0.75	0.63	0.06	0.39	0.47	3.38	2.09	0.94	2.756	4.016	4	F07/F10	20.5
2-1/2"	2.56	0.748	10.32	4.57	0.75	6.75	4.12	5.50	7.48	7.00	0.75	0.69	0.06	0.39	0.47	3.06	2.09	0.94	2.756	4.016	4	F07/F10	31.0
3"	3.15	0.866	14.37	5.22	0.91	8.05	5.00	6.00	8.01	7.50	0.75	0.75	0.06	0.47	0.55	4.01	2.55	1.18	4.016	4.921	4	F10/F12	41.0
4"	3.94	0.866	14.37	6.18	0.91	9.00	6.19	7.50	9.00	9.00	0.75	0.94	0.06	0.47	0.55	4.07	2.55	1.18	4.016	4.921	8	F10/F12	67.5
6"	5.91	1.063	29.53	8.28	1.12	12.50	8.50	9.50	15.5	11.00	0.87	1.00	0.06	0.55	0.71	7.00	2.97	1.41	4.921	5.511	8	F12/F14	145.0

Viton® is a registered trademark of E.I. DuPont de Nemours.

A-T Controls reserves the right to change product designs and technical/dimensional specifications without notice.