



Pneumatic Spring Return Automated Ball Valve Package

Series 24
High Pressure 2-Piece Design

3000 psi WOG

Sizes 1/4"– 2"
(1/4"– 1-1/2" Full Port,
2" Reduced Port)

Direct Actuator Mount

High Cycle Design

316 SS Body, Ball and Stem

Pyramidal Stem Packing System

Compliant to NACE MR0175

Blowout Proof Stem

ISO 5211 Mounting

Locking Handle Standard

STANDARDS

ANSI B16.34, B16.25, B1.20.1, B16.11

API 6D, 598

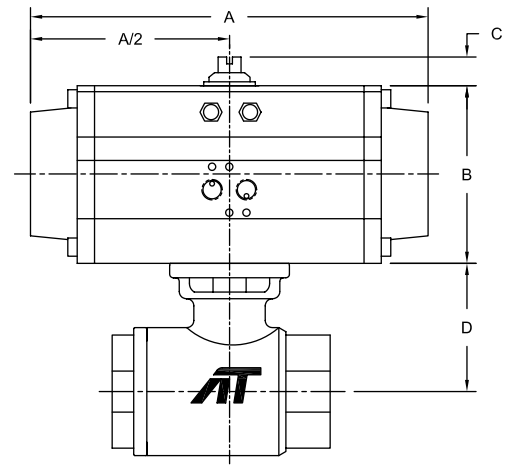
ISO 5211, 5209, 5752, 7/1, 261

MSS PS25, PS72

BS 5351, 6755-1, 6755-2



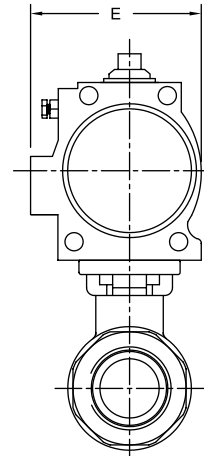
Direct Mount



DIMENSIONS (IN)

VALVE SIZE	A	B	C	D	E	VALVE Cv
1/4"	7.95	3.43	0.79	1.61	3.29	7
3/8"	7.95	3.43	0.79	1.61	3.29	8
1/2"	9.29	4.49	0.79	1.61	4.41	15
3/4"	9.29	4.49	0.79	1.72	4.41	35
1"	9.29	4.49	0.79	2.11	4.41	50
1-1/4"	10.87	4.88	0.79	2.32	4.82	95
1-1/2"	10.87	4.88	0.79	2.96	4.82	180
2"	11.46	5.28	0.79	2.96	5.20	210

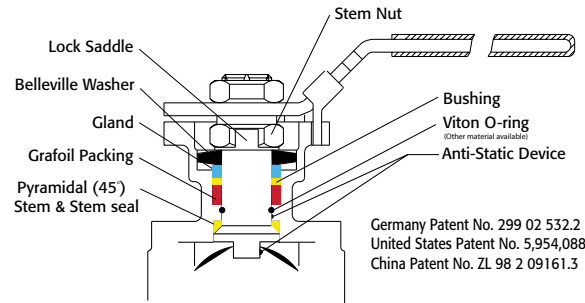
DIMENSIONS SHOWN ARE FOR ASSEMBLIES SIZED FOR 80 PSI SUPPLY



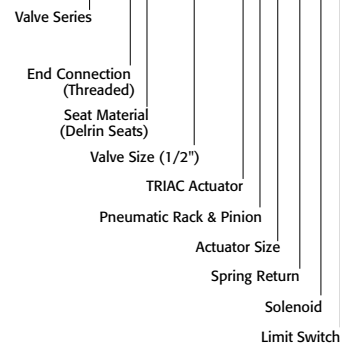
SERIES 24 Direct Mount

SIZED FOR 80 psi AIR SUPPLY	
SIZE	MODEL
1/4"	24-TD-025/2R2S-XX
3/8"	24-TD-038/2R2S-XX
1/2"	24-TD-050/2R3S-XX
3/4"	24-TD-075/2R3S-XX
1"	24-TD-100/2R3S-XX
1-1/4"	24-TD-125/2R4S-XX
1-1/2"	24-TD-150/2R4S-XX
2"	24-TD-200/2R5S-XX

SIZED FOR 60 psi AIR SUPPLY	
SIZE	MODEL
1/4"	24-TD-025/2R2S-XX
3/8"	24-TD-038/2R2S-XX
1/2"	24-TD-050/2R3S-XX
3/4"	24-TD-075/2R3S-XX
1"	24-TD-100/2R3S-XX
1-1/4"	24-TD-125/2R4S-XX
1-1/2"	24-TD-150/2R5S-XX
2"	24-TD-200/2R5S-XX



SAMPLE PART #
24-TD-050/2R3S-XX



OPTIONS

DESCRIPTION	PART NO. SUFFIX	DESCRIPTION	PART NO. SUFFIX
NEMA 4 Solenoid	(A)	NEMA 4 Limit Switch (2) spdt	(A)
NEMA 7 Solenoid	(B)	NEMA 7 Limit Switch (2) spdt	(B)

Other options available - call for details

Actuators are sized based on clean/clear fluid.

See valve part number matrix for complete part number and options.

