



# Electric Automated Ball Valve Package

Series 24  
High Pressure 2-Piece Design

3000 psi WOG

Sizes 1/4"– 2"  
(1/4"– 1-1/2" Full Port,  
2" Reduced Port)

Direct Actuator Mount

High Cycle Design

316 SS Body, Ball and Stem

Pyramidal Stem Packing System

Compliant to NACE MR0175

Blowout Proof Stem

ISO 5211 Mounting

Locking Handle Standard

### STANDARDS

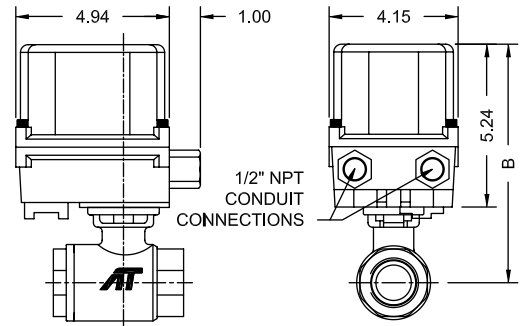
ANSI B16.34, B16.25, B1.20.1, B16.11

API 6D, 598

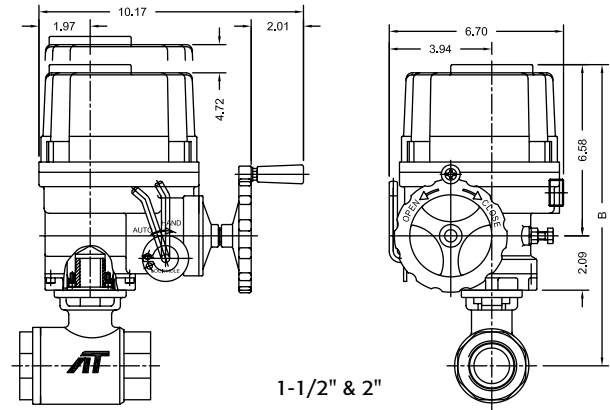
ISO 5211, 5209, 5752, 7/1, 261

MSS PS25, PS72

BS 5351, 6755-1, 6755-2



1/4" thru 1-1/4"



1-1/2" & 2"

### ELECTRIC ON/OFF SERIES

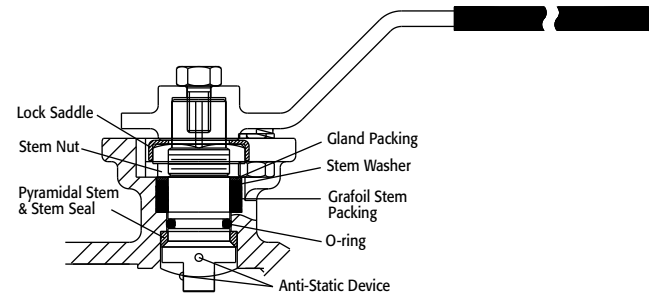
| VALVE SIZE | B     | VALVE Cv |
|------------|-------|----------|
| 1/4"       | 6.85  | 7        |
| 3/8"       | 6.85  | 8        |
| 1/2"       | 6.85  | 15       |
| 3/4"       | 6.96  | 35       |
| 1"         | 7.35  | 50       |
| 1-1/4"     | 7.56  | 95       |
| 1-1/2"     | 11.62 | 180      |
| 2"         | 11.62 | 210      |

FOR SPECIALS, CONSULT FACTORY

SERIES 24 Direct Mount

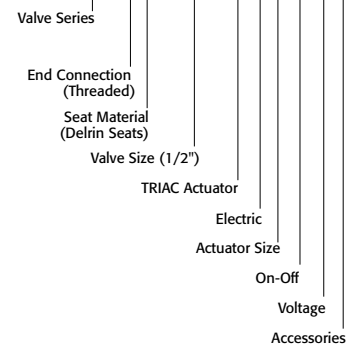
| ON-OFF |                   |
|--------|-------------------|
| SIZE   | MODEL             |
| 1/4"   | 24-TD-025/WEA1-XX |
| 3/8"   | 24-TD-038/WEA1-XX |
| 1/2"   | 24-TD-050/WEA1-XX |
| 3/4"   | 24-TD-075/WEA1-XX |
| 1"     | 24-TD-100/WEA1-XX |
| 1-1/4" | 24-TD-125/WEA1-XX |
| 1-1/2" | 24-TD-150/WEB1-XX |
| 2"     | 24-TD-200/WEB1-XX |

| MODULATING |                   |
|------------|-------------------|
| SIZE       | MODEL             |
| 1/4"       | 24-TD-025/WEA2-XX |
| 3/8"       | 24-TD-038/WEA2-XX |
| 1/2"       | 24-TD-050/WEA2-XX |
| 3/4"       | 24-TD-075/WEA2-XX |
| 1"         | 24-TD-100/WEA2-XX |
| 1-1/4"     | 24-TD-125/WEA2-XX |
| 1-1/2"     | 24-TD-150/WEB2-XX |
| 2"         | 24-TD-200/WEB2-XX |



SAMPLE PART #

**24-TD-050/WEA1-XX**



### OPTIONS

| DESCRIPTION            |
|------------------------|
| 24 VAC/24 VDC/220VAC   |
| Feedback potentiometer |

NOTE: Heater and thermostat standard  
(2) auxiliary switches standard

Other options available - call for details

Actuators are sized based on clean/clear fluid.

See valve part number matrix for complete part number and options.



# Valve Options

## Various Seat Materials

PTFE, RTFE, 50/50, 15% CFTE, Delrin PEEK, Hard Facing, UHMWPE, TFM-1600

Several hard face and metal-metal options

## Gear Operators

Quarter-turn Gear Operators

Spring Return "Deadman" Handles

Oval handles, TEE Handles

## Specials and Solutions

Steam Jackets

Stem Extensions

V-ported Control Valves

Multi-port Valve Solutions

Fugitive Emissions Bonnets (TSM's)

Oxygen Cleaning

Lockout Brackets

Vented Balls

"No Play" Mounting Kits

- **FM Approved Valves and Assemblies**



# Other Products

## Special Seats

Balls and Seal Designs



## Steam Jacketed Valves



## Floor Mounted Damper Drives



## Limit Switches

Mounted on Manual Valves



## Fusible Link Assemblies



## 180° Actuators



## Lockout Mounting Kits



## Stem Extensions



## Special Multi-Port Valves



## Dual Valve Assemblies



9955 International Blvd.  
Cincinnati, Ohio 45246  
www.atcontrols.com

PHONE (513) 247-5465  
FAX (513) 247-5462  
sales@atcontrols.com