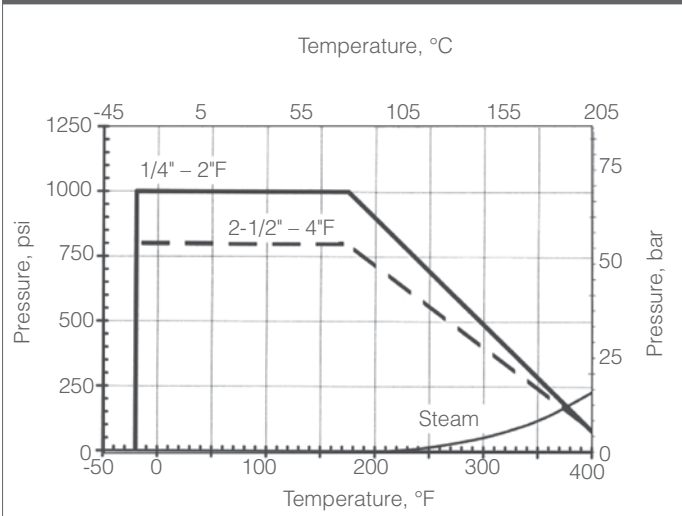



Features

- Investment cast body construction
- Blow-out proof stem
- Reinforced PTFE seats
- Adjustable PTFE packing
- API 598 Inspection & Testing
- PED 97/23/EC; ISO 9001
- Locking lever operator w/D&T mounting pad

Series 9000F Pressure-Temperature Ratings

Technical Specifications

| Valve Size Inches | Operating Torque, in-lb | Flow Coefficient, Cv |
|----------------------|----------------------------|-------------------------|
| 1/4" | 50 | 10 |
| 3/8" | 50 | 10 |
| 1/2" | 85 | 12 |
| 3/4" | 140 | 35 |
| 1" | 180 | 60 |
| 1-1/4" | 235 | 100 |
| 1-1/2" | 300 | 150 |
| 2" | 330 | 250 |
| 2-1/2" | 850 | 400 |
| 3" | 1200 | 600 |

9923FTRS-XXX Series Full Port Valve
9933FTRS-XXX Series Full Port Valve
Quick Spec

| Product Scope | |
|-------------------------|---|
| Size Range | 1/4" – 3", Full Port |
| Body Type | 2-pc, End Entry, FNPT Ends |
| Pressure Rating | <= 1": 1000 psi WOG (69 bar) >= 1-1/4": 800 psi WOG (55 bar) |
| Temperature Range / WSP | -20°F thru 350°F / 150 psi Steam -29°C thru 177°C / 10,3 bar Steam |
| Body | Carbon or Stainless Steel |
| Trim | Stainless Steel, Anti-Static Design |
| Seats | RPTFE |
| Stem Packing | Adjustable PTFE |
| Operator/Mtg Pad | Manual Locking Lever / D&T non-ISO |
| Design Standards | |
| Thread Design | ASME B1.20.1 |
| Testing Standards | |
| Pressure Testing | API 598 |

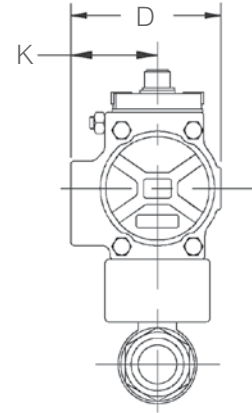
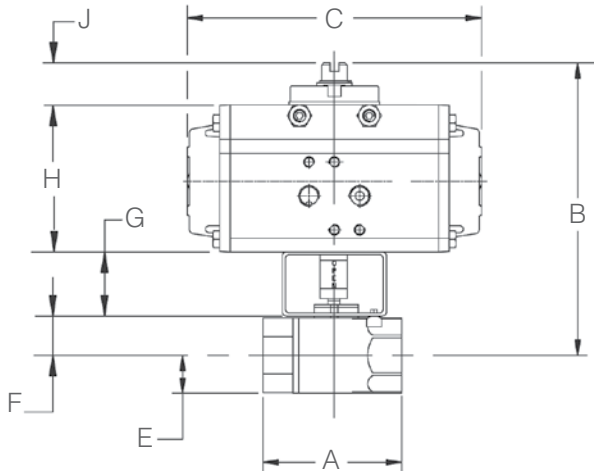
Materials of Construction

| Part | Material (Carbon Steel) | Material (Stainless Steel) |
|---------------------|----------------------------|-------------------------------|
| Body | ASTM A216 Gr WCB | ASTM A276 Gr CF8M |
| End Cap | ASTM A216 Gr WCB | ASTM A276 Gr CF8M |
| Ball | ASTM A216 Gr WCB | ASTM A276 Gr CF8M |
| Stem | ASTM A276 F316 | |
| Seal, Body | PTFE | |
| Seat | RPTFE | |
| Thrust Washer, Stem | RPTFE | |
| Packing, Stem | PTFE | |
| Gland Nut, Body | 304 SS | |
| Washer, Handle | 304 SS | |
| Handle | 304 SS | |
| Cover, Handle | Vinyl | |
| Nut, Handle | 304 SS | |

Technical Specifications, metric

| Valve Size NPS | Operating Torque, N.m | Flow Coefficient, Kv |
|-------------------|--------------------------|-------------------------|
| DN8 | 5,6 | 8,6 |
| DN12 | 5,6 | 8,6 |
| DN15 | 9,6 | 10,3 |
| DN20 | 15,8 | 30,1 |
| DN25 | 20,3 | 52 |
| DN32 | 26,6 | 86 |
| DN40 | 33,9 | 129 |
| DN50 | 37,3 | 215 |
| DN65 | 96 | 344 |
| DN80 | 136 | 516 |

Note: Operating torques given for RPTFE seats, maximum differential pressure. The normal service factor to be applied to these torques for actuator sizing is 1.2, but may be more or less depending upon operating conditions. Operating torques are also highly dependent upon seat material, and differential pressure across the closed ball. Consult the Marwin Ball Valve Actuator Sizing Program for operating torques and service factors for different materials, fluids, and operating conditions.



MD09004

| Dimensions, Inches | | | | | | | | | | | | |
|--------------------|--------------|------|-------|------|-----|-------|------|------|------|------|-----|----------|
| Valve Size | 9000F Series | | | | | | | | | | | |
| Inches | Actuator | A | B | C | D | E | F | G | H | J | K | Wt (lbs) |
| 1/4" | UT-0A-DA | 2.14 | 5.16 | 4.3 | 1.8 | 0.60 | 0.60 | 0.60 | 2.00 | 1.77 | 0.9 | 7.0 |
| | UT-0-SR | | 6.13 | 5.5 | 2.8 | | | | | 2.74 | 1.6 | 8.4 |
| 1/2" | UT-0-DA | 2.57 | 6.24 | 5.5 | 2.8 | 0.686 | 0.71 | 0.71 | 2.00 | 2.74 | 1.6 | 8.6 |
| | UT-1-SR | | 6.67 | 6.4 | 3.2 | | | | | 3.17 | 1.8 | 9.7 |
| 3/4" | UT-0-DA | 3.05 | 6.26 | 5.5 | 2.8 | 0.88 | 0.73 | 0.73 | 2.00 | 2.74 | 1.6 | 8.6 |
| | UT-2-SR | | 7.34 | 8.2 | 3.7 | | | | | 3.82 | 2.1 | 13.2 |
| 1" | UT-1-DA | 3.49 | 6.94 | 6.4 | 3.2 | 1.07 | 0.98 | 0.98 | 2.00 | 3.17 | 1.8 | 10.5 |
| | UT-2.5-SR | | 8.04 | 9.4 | 4.2 | | | | | 4.27 | 2.3 | 16.8 |
| 1-1/4" | N/A | 4.03 | | | | 1.26 | 1.12 | 1.12 | | | | |
| 1-1/2" | N/A | 4.29 | | | | 1.37 | 1.50 | 1.50 | | | | |
| 2" | N/A | 4.94 | | | | 1.84 | 1.81 | 1.81 | | | | |
| 2-1/2" | N/A | 6.49 | | | | 2.35 | 2.24 | 2.24 | | | | |
| 3" | UT-3.5-DA | 7.46 | 13.02 | 12.9 | 5.4 | 2.61 | 2.77 | 2.77 | 3.50 | 5.57 | 2.9 | 43.0 |
| | UT-5-SR | | 16.03 | 20.6 | 7.4 | | | | | 8.58 | 3.9 | 79.1 |

| How to Order | | | | | | | |
|--------------|---|-------------------------|---------------|----------|-----------|---------------------|--|
| Valve Series | Body Material | Trim Material | Port Design | Packing | Seat | End Connections | Valve Size |
| 99 | 2 = Carbon Steel 3 = Stainless Steel | 3 = 316 Stainless Steel | F = Full Port | T = PTFE | R = RPTFE | S = Threaded (FNPT) | 025 038 050 075 100 125 150 200 250 300 |

Sample Ordering Schematic

| | | | | | | | |
|----|---|---|---|---|---|---|-----|
| 99 | 3 | 3 | F | T | T | R | 050 |
|----|---|---|---|---|---|---|-----|

Marwin Valve

 A Division of Richards Industries, 3170 Wasson Road, Cincinnati, OH 45209
 toll free. 800.543.7311, local. 513.533.5600, fax. 513.871.0105
 www.marwinvalve.com