

### Features

- Investment cast 2-piece bolted body construction
- Blow-out proof stem
- Reinforced PTFE seats
- Adjustable, live-loaded graphite packing
- API 598 inspection and testing
- API 607 5th Edition fire tested
- Locking lever operator

### 6801F-xxx-CS/FF Series Full Port Valve

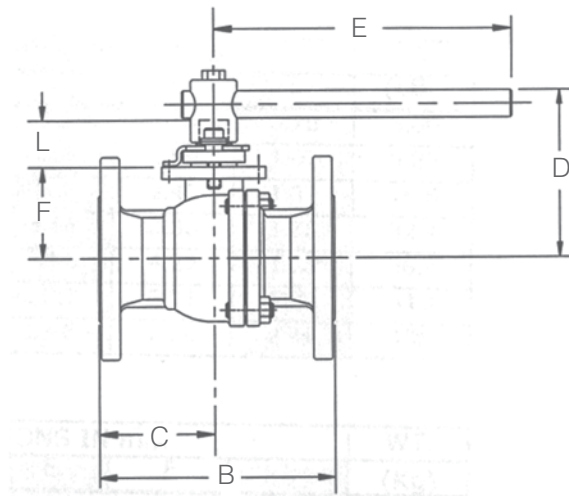
### 6801F-xxx-S6/FF Series Full Port Valve

Quick Spec	
Product Scope	
Size Range	CL 300: 1/2" – 8" Full Port
Body Type	2-pc, Split Body
Port Rating	ASME Class 300, Flanged Ends
Temperature Range / WSP	-20°F thru 400°F / 150 psi Steam -29C thru 204°C / 10,3 bar Steam
Body	Stainless or Carbon Steel
Ball & Stem	Stainless Steel, Anti-Static Design
Ball Seats	RPTFE
Stem Packing	Adjustable, Live Loaded Graphite
Body Seal / Thrust Washer	Graphite / PTFE
Operator / Mounting Pad	Manual Locking Lever / ISO 5211
Design Standards	
Design	ASME B16.34
Face to Face	ASME B16.10
Flange Dimensions	ASME B16.5
NACE MR0175	Standard
API SPEC 6D	API Monogram Optional
Testing Standards	
Pressure Testing	API 598
Approvals	
Fire Testing API 607 5th Edition CRN: 0C5539.5	

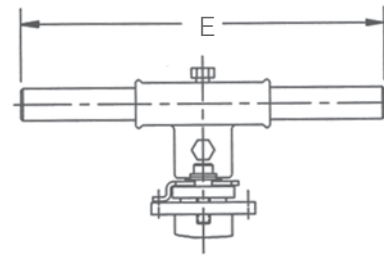
Technical Specifications			
Valve Size Inches	Operating Torque, in-lb, 285 psi	Operating Torque, in-lb, 740 psi	Flow Coefficient, Cv
1/2"	51	82	34
3/4"	82	92	56
1"	122	163	90
1-1/2"	254	357	230
2"	306	449	425
3"	713	1120	1200
4"	1476	1832	1975
6"	3563	5598	4860
8"	8142	10179	9190

Technical Specifications			
Valve Size NPS	Operating Torque, n-M, 19,6 bar	Operating Torque, n-M, 51bar	Flow Coefficient, Kv
DN15	5,7	9,2	29
DN20	9,2	11	48
DN25	14	19	77
DN40	29	41	200
DN50	35	51	365
DN80	81	127	1035
DN100	167	207	1700
DN150	403	633	4180
DN200	920	1150	7900

Materials of Construction		
Part	Stainless Steel	Carbon Steel
Body	CF8M	WCB
End Cap	CF8M	WCB
Seat	RPTFE	RPTFE
Ball	CF8M	CF8M
Stem	316 SST	316 SST
Seal, Body	Graphite	Graphite
Thrust Washer	PTFE	PTFE
Packing	Grafoil	Grafoil
Gland Bushing	PTFE	PTFE
Gland Flange	CF8	CF8
Gland Bolt	304 SST	304 SST
Stop Plate	304 SST	304 SST
Handle (1/2" - 4")	Ductile Iron	Ductile Iron
Pipe, T-Handle (6" - 8")	Steel	Steel
Coupler, T-Handle (6"-8")	Ductile Iron	Ductile Iron
Snap Ring	STL	STL
Bolt, Body (1/2" - 4")	A193-B8	A193-B8
Stud, Body (6" - 8")	A193-B8M	A193-B8M
Gland Bolt	304 SST	304 SST
Flat Washer	STL	STL
Bolt, Handle	STL	STL
Static Pin	304 SST	304 SST
Static Spring	304 SST	304 SST
Nut, Body (6" - 8")	A194-8M	194-8M
Tag	304 SST	304 SST
Screw, Handle	STL	STL



1/2" – 4" Full Port 6801



6" – 8" Full Port 6801

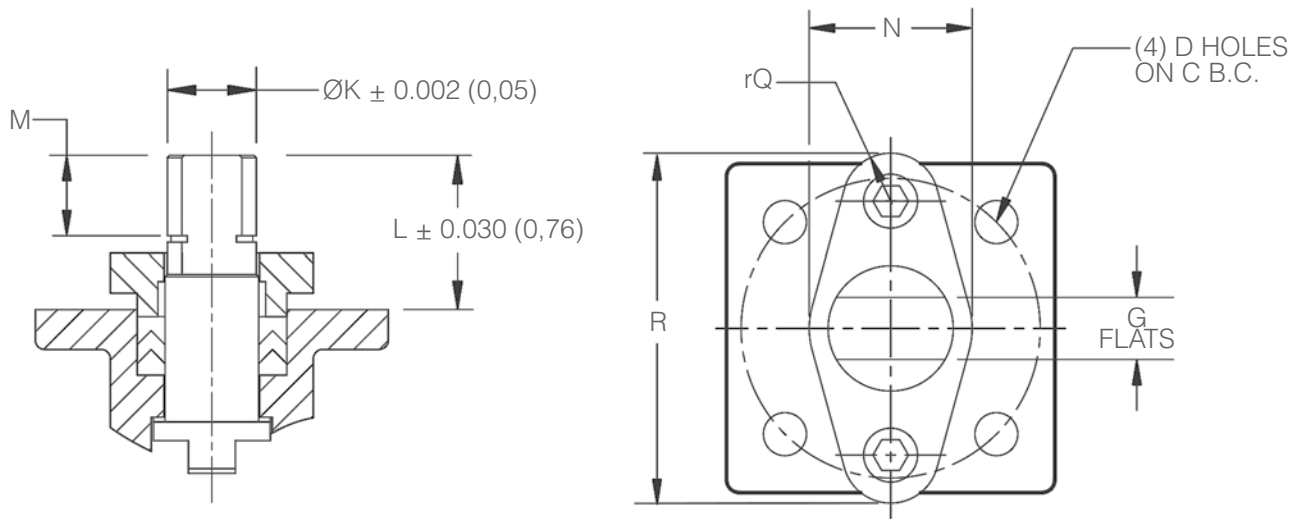
MD06046

Dimensions, Inches								
Valve Size	6801 - 300 Series							Weight, lbs
Inches	Port	B	C	D	E	F	L	
1/2"	0.63	5.50	2.54	3.3	5.3	1.52	0.76	4.80
3/4"	0.79	6.00	2.92	3.3	5.3	1.52	0.76	7.50
1"	0.98	6.50	3.05	3.8	6.3	1.80	1.07	9.90
1-1/2"	1.50	7.50	3.70	4.8	9.1	2.40	1.31	19.6
2"	1.97	8.50	4.05	5.3	9.1	2.92	1.31	26.1
3"	3.15	11.12	5.04	7.2	13.8	4.06	1.75	58.5
4"	3.94	12.00	5.72	8.3	15.8	5.00	1.83	95.0
6"	5.91	15.88	7.66	10.5	31.5	7.17	2.48	172*
8"	7.87	19.75	9.55	13.3	43.3	9.19	3.01	390*

\* Add 24 lbs for Gear Weight for 6" size and 38 lbs for 8" size

Dimensions, mm								
Valve Size	6801 - 300 Series							Weight, kgs
NPS	Port	B	C	D	E	F	L	
DN15	14	139,7	64,5	83	135	38,5	19,0	2,18
DN20	19	152,4	74,2	84	135	38,5	19,4	3,41
DN25	25	165,1	77,5	95	160	45,6	27,1	4,49
DN40	38	190,5	94,0	122	230	60,9	33,4	8,90
DN50	50	215,9	102,9	135	230	74,2	33,4	11,9
DN80	76	282,4	128,0	183	350	103,2	44,5	26,6
DN100	102	304,8	145,3	211	400	127,0	46,6	43,2
DN150	152	403,4	194,6	266	800	182,0	63,0	78,0*
DN200	203	501,7	242,6	336	1100	233,5	76,5	177*

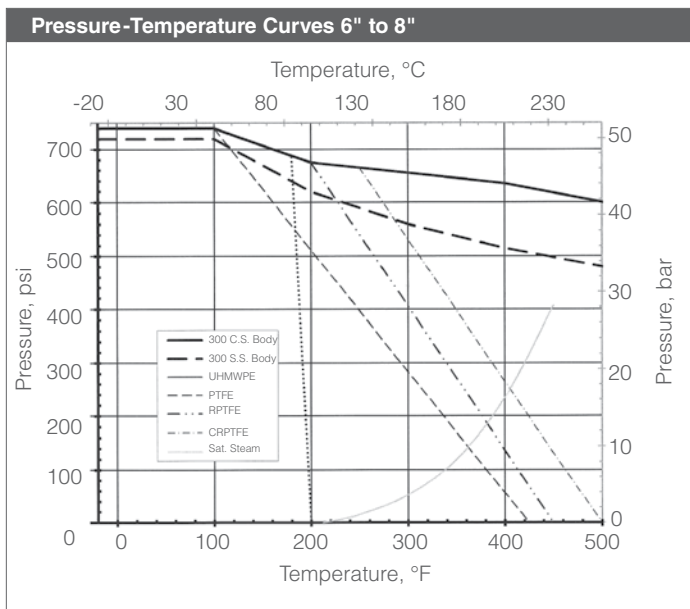
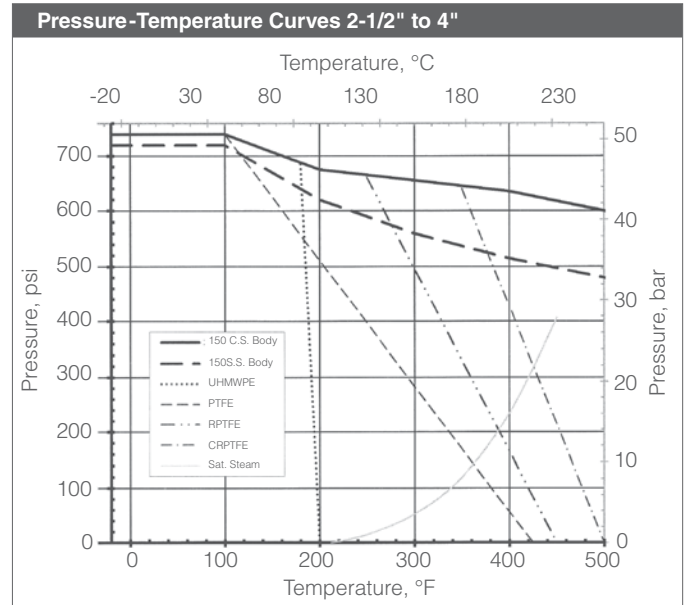
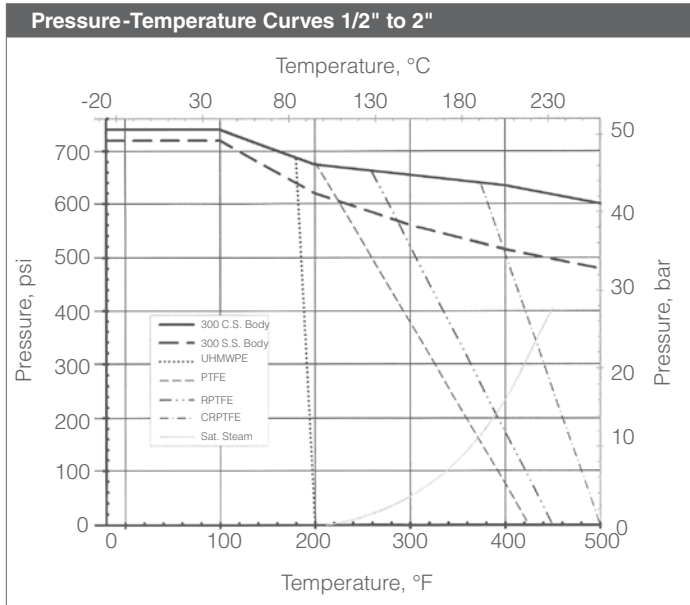
\* Add 10,9 kgs for Gear Weight for DN150 size and 17,3 kgs for DN200 size



ART1262

Top Mounting Dimensions, Inches										
Inches	C (B.C.)	D (THRD)	MTG	G FLATS	ØK	L	M	N	R	rQ
1/2"	Ø1.97	M6X1	F05	0.315/0.313	0.47	0.64	0.19	1.10	2.00	0.39
3/4"	Ø1.97	M6X1	F05	0.315/0.313	0.47	0.76	0.30	1.10	2.00	0.39
1"	Ø2.76	M8X1.25	F07	0.394/0.392	0.59	1.07	0.52	1.35	2.44	0.47
1-1/2"	Ø2.76	M8X1.25	F07	0.551/0.549	0.75	1.31	0.68	1.71	2.97	0.55
2"	Ø2.76	M8X1.25	F07	0.551/0.549	0.75	1.31	0.68	1.71	2.97	0.55
2-1/2"	Ø2.76	M8X1.25	F07	0.551/0.549	0.75	1.29	0.68	1.71	3.14	0.55
3"	Ø4.02	M10X1.5	F10	0.630/0.628	0.95	1.75	0.96	2.09	3.75	0.71
4"	Ø4.02	M10X1.5	F10	0.787/0.785	1.18	1.81	0.96	2.31	4.33	0.95
6"	Ø4.92	M12X1.75	F12	1.024/1.022	1.50	2.48	1.28	2.82	5.08	0.95
8"	Ø5.51	M16X2	F14	1.260/1.258	1.89	3.01	1.66	3.35	5.95	0.95

Top Mounting Dimensions, mm										
NPS	C (B.C.)	D (THRD)	MTG	G FLATS	ØK	L	M	N	R	rQ
DN15	Ø50,0	M6X1	F05	8,0/7,95	11,9	16,3	4,8	27,9	50,8	9,9
DN20	Ø50,0	M6X1	F05	8,0/7,95	11,9	19,3	7,6	27,9	50,8	9,9
DN25	Ø70,1	M8X1.25	F07	10,0/9,96	15,0	27,2	13,2	34,3	62,0	11,9
DN40	Ø70,1	M8X1.25	F07	14,0/13,94	19,1	33,3	17,3	43,4	75,4	14,0
DN50	Ø70,1	M8X1.25	F07	14,0/13,94	19,1	33,3	17,3	43,4	75,4	14,0
DN65	Ø70,1	M8X1.25	F07	14,0/13,94	19,1	32,8	17,3	43,4	79,8	14,0
DN80	Ø102,1	M10X1.5	F10	16,0/15,95	24,1	44,5	24,4	53,1	95,3	18,0
DN100	Ø102,1	M10X1.5	F10	20,0/19,94	30,0	46,0	24,4	58,7	110,0	24,1
DN150	Ø125,0	M12X1.75	F12	26,0/25,96	38,1	63,0	32,5	71,6	129,0	24,1
DN200	Ø140,0	M16X2	F14	32,0/31,95	48,0	76,5	42,2	85,1	151,1	24,1



Model	Size	Body Mat'l	1	2	3	4	5	6	7	8	9	10	11	12

Model Number	
6801F	2 Piece Ball Valve

Size			
050	1/2"	250	2-1/2"
075	3/4"	300	3"
100	1"	400	4"
150	1-1/2"	600	6"
200	2"	800	8"

Body Material	
CS	Carbon Steel
S6	Stainless Steel

1	Packing/Seat
F	Grafoil/RPTFE (STANDARD)
B	PTFE/RPTFE
C	PTFE/C-RPTFE
D	PTFE/UHMWPE
G	Grafoil/CRPTFE
H	Grafoil/UHMWPE
J	UHMWPE/UHMWPE

2	Ends
G	Class 300 FE

3&4	Operation		
HL	Lever		
NN	None		
P1	UT-0A-DA STD	S7	UT-4-SR STD
P2	UT-0-DA STD	SF	UT-4.5-SR STD
P3	UT-1-DA STD	S8	UT-5-SR STD
P4	UT-2-DA STD	S9	UT-6-SR STD
P5	UT-2.5-DA STD	SA	UT-7-SR STD
P6	UT-3-DA STD	SJ	UT-7.5-SR STD
P7	UT-3.5-DA STD	M1	ER-1-2.5-4 110 VAC
P8	UT-4-DA STD	M2	ER-2-5-4 110 VAC
PF	UT-4.5-DA STD	M3	ER-3-5-4 110 VAC
P9	UT-5-DA STD	M8	ER-4-10-4 110 VAC
PA	UT-6-DA STD	M4	ER-6-15-4 110 VAC
PB	UT-7-DA STD	M5	ER-10-15-4 110 VAC
S1	UT-0-SR STD	M9	ER-15-30-4 110 VAC
S2	UT-1-SR STD	MA	ER-20-12-4 110 VAC
S3	UT-2-SR STD	M7	ER-38-14-4 110 VAC
S4	UT-2.5-SR STD	MC	ER-50-68-4 110 VAC
S5	UT-3-SR STD	MD	ER-70-68-4 110 VAC
S6	UT-3.5-SR STD		
ZZ	Non-Standard		

5&6	Actuator Pressure
60	60 psi
80	80 psi
NN	N/A (no pneumatic actuator)
ZZ	Non-Standard

7&8	Solenoid Feature	Act. Type
00	None	
3A	3W 8551-120VAC N4 UT-0/5	SR
3C	3W EF8551-120VAC N7 UT-0/5	SR
3J	3W 8317G35-120VAC N4 UT-0/2.5	SR
3M	3W 8321G1-120VAC N4 UT-3/5	SR
3Q	3W EF8317G35-120VAC N7 UT-0/2.5	SR
3R	3W EF8321G1-120VAC N7 UT-3/5	SR
4A	4W 8551-120VAC N4 UT-0A	DA
4B	4W 8551-120VAC N4 UT-0/5	DA
4D	4W EF8551-120VAC N7 UT-0A	DA
4E	4W EF8551-120VAC N7 UT0/5	DA
ZZ	Non-Standard	

9&10	Limit Switch
00	None
AA	LS FMYB-5120-N4 to UT-0/3
AB	LS FMYB-5120-N4 to UT-3.5/7
AC	LS AMYB-5120-N7 to UT-0/3
AD	LS AMYB-5120-N7 to UT-3.5/7
ZZ	Non-Standard

11&12	Fail Position
NN	Fail Position N/A (No "SR" Actuator)
01	Fail Closed
02	Fail Open