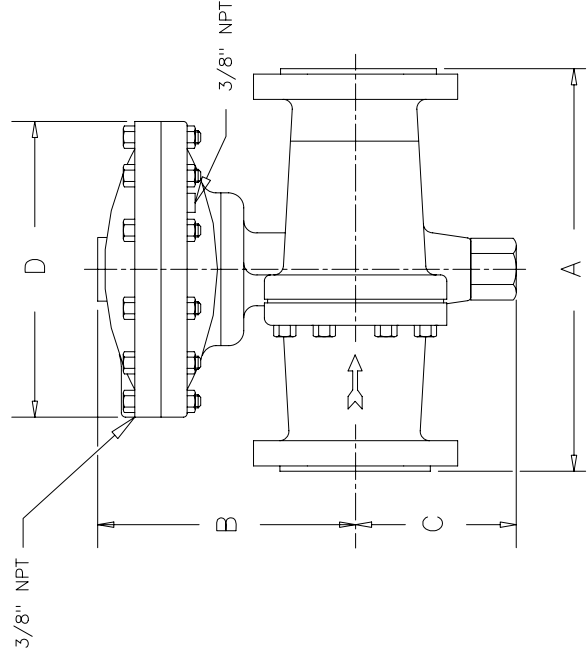


+

VALVE SIZE	FLANGE RATING	DIMENSIONS, INCHES				WGT. LBS.
		A	B	C	D	
2 1/2"	125-150#	10.87	10.68	6.93	12.75	160
	250-300#	11.50				
3"	125-150#	11.75	10.68	6.93	12.75	180
	250-300#	12.50				
4"	125-150#	13.87	11.88	8.00	12.75	210
	250-300#	14.50				
6"	125-150#	17.75	12.57	9.00	12.75	300
	250-300#	18.62				



# MK56 & 66

F.N.:MK56-6

2 1/2-6" MARK 56 & 66  
AIR LOADED BACK PRESSURE REGULATOR & PRESSURE REDUCING VALVE.

### SPECIFICATION DATA

CUSTOMER \_\_\_\_\_  
 ORDER No. \_\_\_\_\_ SERIAL No. \_\_\_\_\_  
 TAG No. \_\_\_\_\_  
 VALVE TYPE \_\_\_\_\_ QTY. \_\_\_\_\_  
 BODY \_\_\_\_\_  
 END CONN. \_\_\_\_\_  
 INLET PRESS. \_\_\_\_\_ MAX.  $\Delta$  P \_\_\_\_\_  
 PRESS. RANGE \_\_\_\_\_ SET AT \_\_\_\_\_  
 VALVE ACTION: RISE IN PRESSURE TO  OPEN  CLOSE  
 VALVE SEAT \_\_\_\_\_ Cv \_\_\_\_\_  
 MISC. \_\_\_\_\_  
 CERTIFIED \_\_\_\_\_ DATE \_\_\_\_\_

 **RICHARDS INDUSTRIES**  
 CINCINNATI, OHIO  
 U.S.A.

VALVE GROUP 

DRAWN BY JLA

DATE 4/14/96

CHECKED BY

DATE

# MK56/66

2 1/2-6"

+