



Pneumatic Spring Return Automated Ball Valve Package

Series F88
3-Piece Ball Valve

Firesafe

Direct Mount

Full Port Valve

1500 & 2000 psi WOG (by size)

Available 1/4" - 4"

316SS or WCB Body

316SS Ball & Stem

Belleville Washers, Double Chevron Packing, RTFE Seats Standard

Threaded, SW or BW

STANDARDS

| | |
|------|---------------------------------|
| ANSI | B16.34, B16.25, B1.20.1, B16.11 |
| API | 6D, 598, 607 |
| ISO | 5211, 5209, 5752, 7/1, 261 |
| MSS | PS25, PS72 |
| BS | 5351, 6755-1, 6755-2 |

API 607 - 4th Edition
CERTIFIED

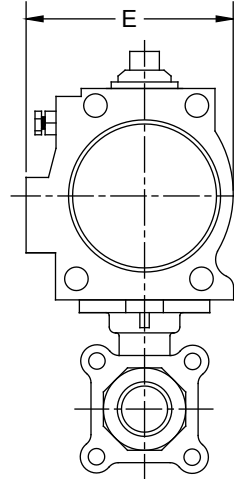
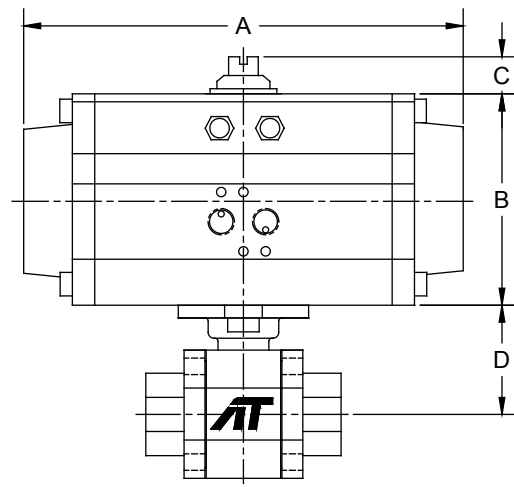


Direct Mount
Firesafe tested to API-607

DIMENSIONS (IN)

| VALVE SIZE | A | B | C | D | E | VALVE Cv |
|------------|-------|------|------|------|------|----------|
| 1/4" | 7.60 | 2.76 | 0.79 | 1.66 | 2.58 | 7 |
| 3/8" | 7.60 | 2.76 | 0.79 | 1.66 | 2.58 | 8 |
| 1/2" | 7.95 | 3.43 | 0.79 | 1.66 | 3.29 | 15 |
| 3/4" | 9.29 | 4.49 | 0.79 | 1.83 | 4.41 | 40 |
| 1" | 9.29 | 4.49 | 0.79 | 2.31 | 4.41 | 70 |
| 1-1/4" | 9.29 | 4.49 | 0.79 | 2.46 | 4.41 | 110 |
| 1-1/2" | 9.29 | 4.49 | 0.79 | 3.11 | 4.41 | 250 |
| 2" | 10.87 | 4.88 | 0.79 | 3.42 | 4.82 | 430 |
| 2-1/2" | 11.46 | 5.28 | 0.79 | 4.28 | 5.20 | 600 |
| 3" | 13.90 | 6.18 | 0.79 | 4.63 | 6.04 | 1100 |
| 4" | 15.16 | 6.93 | 1.18 | 5.26 | 6.69 | 2000 |

DIMENSIONS SHOWN ARE FOR ASSEMBLIES SIZED FOR 80 PSI SUPPLY



SERIES F88 3 Piece

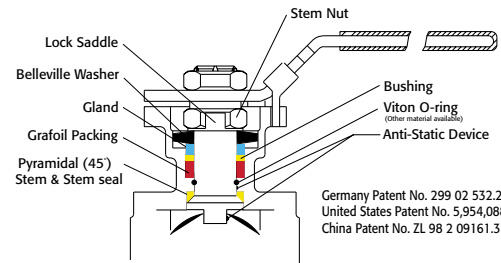
Firesafe

SIZED FOR 80 psi AIR SUPPLY

| SIZE | MODEL |
|--------|--------------------|
| 1/4" | F88-TX-025/TR1S-XX |
| 3/8" | F88-TX-038/TR1S-XX |
| 1/2" | F88-TX-050/2R2S-XX |
| 3/4" | F88-TX-075/2R3S-XX |
| 1" | F88-TX-100/2R3S-XX |
| 1-1/4" | F88-TX-125/2R3S-XX |
| 1-1/2" | F88-TX-150/2R3S-XX |
| 2" | F88-TX-200/2R4S-XX |
| 2-1/2" | F88-TX-250/2R5S-XX |
| 3" | F88-TX-300/2R6S-XX |
| 4" | F88-TX-400/2R7S-XX |

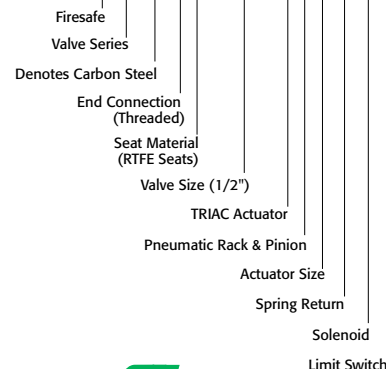
SIZED FOR 60 psi AIR SUPPLY

| SIZE | MODEL |
|--------|--------------------|
| 1/4" | F88-TX-025/TR1S-XX |
| 3/8" | F88-TX-038/TR1S-XX |
| 1/2" | F88-TX-050/2R2S-XX |
| 3/4" | F88-TX-075/2R3S-XX |
| 1" | F88-TX-100/2R3S-XX |
| 1-1/4" | F88-TX-125/2R3S-XX |
| 1-1/2" | F88-TX-150/2R4S-XX |
| 2" | F88-TX-200/2R4S-XX |
| 2-1/2" | F88-TX-250/2R6S-XX |
| 3" | F88-TX-300/2R6S-XX |
| 4" | F88-TX-400/2R7S-XX |



Germany Patent No. 299 02 532.2
United States Patent No. 5,954,088
China Patent No. ZL 98 2 09161.3

SAMPLE PART #
F88C-TX-050/2R2S-XX



OPTIONS

| DESCRIPTION | PART NO. SUFFIX | DESCRIPTION | PART NO. SUFFIX |
|-----------------|-----------------|------------------------------|-----------------|
| NEMA 4 Solenoid | (A) | NEMA 4 Limit Switch (2) spdt | (A) |
| NEMA 7 Solenoid | (B) | NEMA 7 Limit Switch (2) spdt | (B) |

Other options available - call for details

Actuators are sized based on clean/clear fluid.

See valve part number matrix for complete part number and options.

F88SR-20130430

Copyright 2013 A-T Controls, Inc.



9955 International Blvd.
Cincinnati, Ohio 45246
www.atcontrols.com

PHONE (513) 247-5465
FAX (513) 247-5462
sales@atcontrols.com