

STT 3000 Series STT250 SMART TEMPERATURE TRANSMITTER Models STT25H, STT25M, STT25D

EN01-6031 7/04

PRODUCT SPECIFICATION SHEET

OVERVIEW

Honeywell's STT 3000 family of microprocessor based smart temperature transmitters includes both the Series STT250 described in this specification sheet and the higher performance STT350 described in Product Specification Sheet EN01-5222. The STT350 offers high performance and advanced functionality.

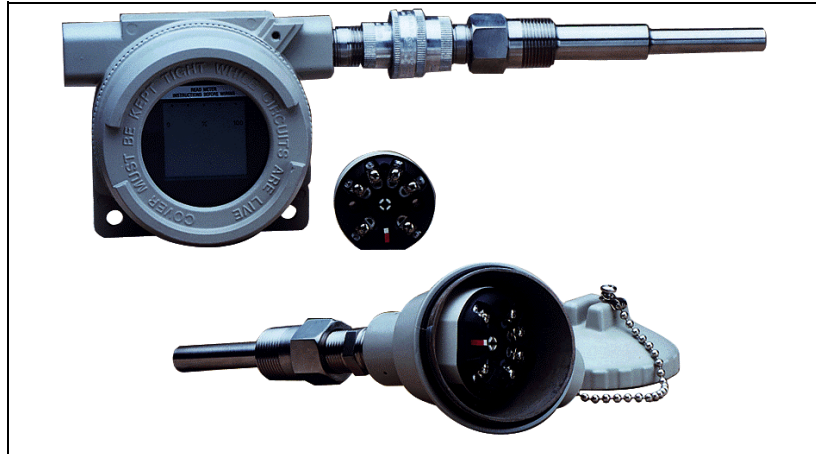
The STT250 units offer competitive performance in a more compact module and with a wider range of smart communications protocols.

Choose the unit to meet your application needs :

- **STT25H** with HART™ protocol when this popular protocol is preferred. Configuration of the HART unit can be made with any of the listed HART Communication Foundation tools.
- **STT25M** for 4-20mA operation and local/ remote configuration via Honeywell's digital DE protocol from the Smart Field Communicator (SFC) or Smart Configuration Toolkit PC based software (SCT).
- **STT25D** with digital DE protocol for either 4-20mA operation or digital integration into the TDC 3000™/ TPS 3000™ control system.

Note that the latest addition to the STT250 family is the Dual Input **STT25T**. The two sensor inputs may be used for sensor cross checking or for sensor redundancy. This is described in separate Product Specification Sheet EN01-6091.

All units support the same wide range of primary sensor types, are 2 wire powered and give an output linearised to temperature over the 2 power wires. Leadwire compensation is provided for RTD (Resistance Temperature Detectors) and internal digital cold junction compensation is provided for Thermocouples. MilliVolt and Ohms sensor inputs can also be accepted.



FEATURES

- Smart communication protocols available include HART or DE Honeywell.
- Direct sensor head mounting in DIN Form A housing. Housing materials available include plastic, aluminium, 316SS and cast iron.
- Mounting options include wall, pipe, DIN rail or direct sensor head mounting with or without a housing.
- Single model accepts input signal from a wide choice of primary sensors to satisfy varying application requirements with minimum transmitter inventory.
- Suitable for 4, 3 or 2 wire Pt100 and Pt200 RTD measurement.
- Hard wired upscale/ downscale failsafe link to ensure secure operation in the event of a failure.
- Open circuit sensor analysis carried out in every measurement cycle.
- Selectable latching/non-latching failsafe operation for open circuit sensor.
- Integral analogue or digital indication meter option.
- Analogue to Digital converter validated frequently.

DESCRIPTION

The STT250 transmitters are suitable as replacements for any conventional or most smart temperature transmitters in use today. The memory contains the characteristics of most commonly used temperature sensors.

You can easily use the hand held communicator or PC tool to configure the transmitter for any of these sensors and it will automatically correct for their associated non-linearity's.

Accuracies stated below are available merely by selecting the sensor type and range (i.e. without user calibration).

Calibration of the LRV/URV end points will typically give accuracy improvements of 2 times. Sensor errors can be calibrated out by calibration to the specific sensor either by having it at the LRV/URV temperatures or by simulation of the known values.

In addition, all units pass through Environmental Stress Screening by fast cycling between -40°C and +85°C to ensure maximum product reliability. During this process the ambient temperature coefficients are determined for each unit and burned into memory to ensure temperature compensation over a wide range of operating conditions.

Configuration adjustments and diagnostics checks can be made either locally or remotely over the signal wires from anywhere along their route. This enables major savings in manpower time during commissioning, start up and maintenance activities.

Performance Under Rated Conditions

Sensor	Digital Accuracy over Normal Range °C (°F)	D/A Accuracy % of span	Digital Accuracy over Maximum Range °C (°F)	Standards
Pt100	0.15C for -200 to 450 (-328 to 842)	0.025%	0.25C for -200 to 850C (-328 to 1562)	IEC751(ITS-90)($\alpha=0.00385$)
Pt200	0.30C for -200 to 450 (-328 to 842)	0.025%	0.40C for -200 to 850C (-328 to 1562)	IEC751(ITS-90)($\alpha=0.00385$)
Pt100J	0.15C for -200 to 450 (-328 to 842)	0.025%	0.25C for -200 to 640C (-328 to 1184)	JISC1604-81($\alpha=0.00392$)
Ω	0.40 Ω for 0 to 1000 Ω	0.025%	0.40 Ω for 0 to 2,000 Ω *	
mV	15 μ V for -20 to 120mV	0.025%	15 μ V for -20 to 120mV	
B	1.0C for 550 to 1820 (1022 to 3308)	0.025%	3.0C for 200 to 1,820C (392 to 3308)	IEC 584-1(ITS-90)
E	0.30C for 0 to 1000 (32 to 1832)	0.025%	0.60C for -200 to 1,000C (-328 to 1832)	IEC 584-1(ITS-90)
J	0.30C for 0 to 800 (32 to 1472)	0.025%	0.70C for -200 to 1,200C (-328 to 2192)	IEC 584-1(ITS-90)
K	0.60C for -120 to 1370 (-191 to 2498)	0.025%	0.90C for -200 to 1370C (-328 to 2498)	IEC 584-1(ITS-90)
N	0.40C for 0 to 1300 (32 to 2372)	0.025%	1.5C for -200 to 1300C (-328 to 2372)	IEC 584-1(ITS-90)
R	0.60C for 500 to 1760 (932 to 3200)	0.025%	1.0C for -50 to 1760C (-58 to 3200)	IEC 584-1(ITS-90)
S	0.60C for 500 to 1760 (932 to 3200)	0.025%	1.0C for -50 to 1760C (-58 to 3200)	IEC 584-1(ITS-90)
T	0.30C for -100 to 400 (-148 to 752)	0.025%	0.5C for -250 to 400C (-418 to 752)	IEC 584-1(ITS-90)

* 4 wire ohms input only and limited to 0 to 1,000 Ohms for model STT25D

SPECIFICATIONS

Operating Conditions

Parameter	Reference Condition	Rated Condition	Operative Limits	Transportation And Storage
Ambient temperature °C	23 °C \pm 2	-40 to +85	-40 to +85	-50 to +100
Humidity				
Rack mounted % RH	10 to 55	5 to 95	5 to 100	5 to 100
In field housing % RH	10 to 55	5 to 100	5 to 100	5 to 100
Supply voltage	Voltage range 10.8 to 35 Vdc at the transmitter terminals			
Output current	Current overrange 3.8 to 20.8 mA. Failsafe limits < 3.8 and 21.8 mA			
Load resistance	0 to 1110 Ω			
Vibration	Maximum of 4g over 15 to 200Hz (restricted to 3g with indication meter).			
Shock	Maximum of 40g.			

Performance Specifications

Output D/A accuracy: $\pm 0.025\%$ of span

Cold Junction accuracy: $\pm 0.5^\circ\text{C}$

Total reference accuracy: Analogue 4-20mA mode = Digital accuracy + Output D/A accuracy + CJ accuracy (T/Cs only)

Total reference accuracy: Digital DE mode = Digital accuracy + CJ accuracy (T/Cs only).

(example: transmitter operating in analogue mode with Pt100 sensor and 0 to 200°C range.

Total reference accuracy =

$0.15 + (200/100) * 0.025 = 0.2^\circ\text{C}$.

Digital ambient temperature effect (per 10°C change from 23°C ref.): RTDs or Ohms : 0.050% of reading in Ohms. : T/Cs or mV : 0.080% of reading in mV.

Output D/A ambient temp. effect (per 10°C change from 23°C ref.): $\pm 0.045\%$ of span.

Cold Junction ambient temperature effect: 40: 1 rejection for ambient temperature changes from 23°C reference.

Total output ambient temperature effect : Analogue 4-20mA mode = Digital effect + Output D/A effect + CJ effect (T/Cs only).

Total output ambient temperature effect: Digital DE mA mode = Digital effect + CJ effect (T/Cs only).

Power supply voltage effect: 0.005% of Max span per Volt.

Stability/time drift: 0.05% of max span per year.

Additional Parameters

Output: 4-20mA or Honeywell digital DE protocol. HART and DE available with 4-20mA output.

Adjustment range: No limits to adjustments within the Maximum Range except minimum span limit of 1 engineering unit e.g. 1°C

Damping time constant: Adjustable from 0 to 102 seconds digital damping.

Output response time: 1 second to reach 63% of final value with 0 secs damping.

Output update time

0.5 secs approximately.

Input/ output galvanic isolation Withstands 500Vac dielectric strength test for 1 minute.

Sensor open circuit

Open circuit/ burnout detection is user selectable. Upscale or downscale with critical status message. Latching or non-latching sensor burnout action.

Common mode rejection

120dB (1 million to 1) from 50Hz to 50 kHz.

Series mode rejection

40dB (100 to 1) for 50 or 60Hz $\pm 0.5\text{Hz}$. (with internal software filter set to local power line frequency).

EMC compliance

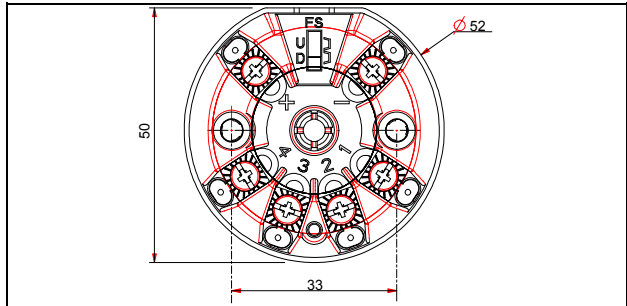
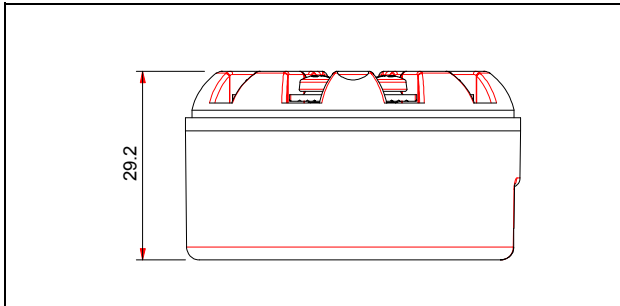
In compliance with 89/336/EEC, ElectroMagnetic Compatibility (EMC) Directive.

RFI rejection: $\pm 0.1\%$ of span at 30V/m over 20 to 1,000MHz in metallic housing and with shielded cables.

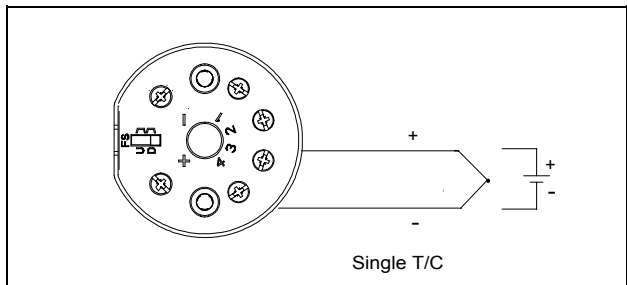
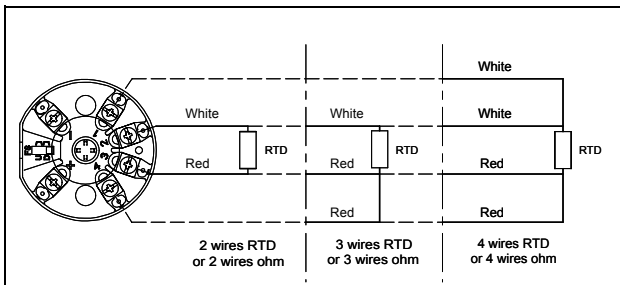
Physical Mounting, Construction and Integral Meters

The STT250 Temperature Transmitter is designed to be mounted in a DIN Form A housing for direct installation with the temperature sensor or can be provided in a remote pipe or wall mount housing. Details on the various housings and integral meters available are given in specification sheet EN01-6032. The STT250 Temperature Transmitter module can also be DIN rail mounted to a top hat or "G" rail via a clip.

STT250 Module Dimensions (in mm)



STT250 Connections



Materials of Construction

Terminal Block	Noryl
Connection Screws	M3 Nickel plated brass
Module Housing	Cycloy (PC/ABS) with metallised interior surface
Weight	0.075 kg (0.2 lbs)

Approvals

The STT250 Temperature Transmitter module is Intrinsically Safe to Cenelec, FM and CSA standards when used with a suitable safety barrier. It is zone 2 and explosion-proof to Cenelec, FM and CSA standards when installed in a suitable housing. See the Model Selection Guide Table VII in this Specification Sheet for detailed safety approvals covering both the STT250 module only or for the STT250 module supplied in a housing.

Probe and Thermowell Availability

STT250 can be supplied complete with any of the previously listed thermocouple or RTD sensors and with any of a wide range of thermowells. The sensors are of Mineral Insulated (MI) construction with lengths of up to 2 meters available. For the direct head mount installation the sensor is supplied with a mounting plate for STT250 module attachment and fixing screws to provide the spring loaded attachment to the housing. For EEx d IIC T6 applications a flame trap is included between the sensor and sensor entry of the housing. See details on the standard sensors available in EN01-6033 for Europe, or 34-44-29-01 for North America.

The range of thermowells available as a total thermal solution cover almost every possible requirement :

Materials:	Carbon Steel, 304SS, 316SS, 316L SS, Hastelloy C-276, Monel 400, Inconel, and many others
Thermowell Types:	Threaded or flanged, with or without lagging and solid drilled, forged or fabricated construction
Flange Types:	Raised Face, Flat Face and Ring Type joint flanges available in 1 to 3 inch sizes or 15 to 200mm
Flange Ratings:	ANSI 150 to 2500, BS 4504 NP6 to NP100, BS 10 Tables D to K and API 6A 5000 to 15000lb

Other materials, types and accessories are available on request.

Instructions

- Choose availability column based on mounting configuration.
A dot denotes unrestricted availability. A letter denotes restricted availability.
Blank denotes unavailable - choose alternate mounting. Restrictions follow Table VII.
- Select the desired Key Number based on the desired communications protocol.
- Select options and approvals from Tables.

Key Number I II III IV V VI VII

STT25_ - - - - - - -

HOW WILL THE UNIT BE MOUNTED?

Module only (no housing), to be DIN rail or wall mounted _____ Availability

Module to be "head mounted" directly to the sensor in smaller housing _____

Module to be "field mounted" in Explosion-Proof housing remotely from or directly to the sensor _____

Key Number	Description	Selection	Availability	Availability	Availability
	Smart Temperature Transmitter Module				
	4-20mA Output, SFC/SCT Configurable	STT25M	◆		◆
	HART Protocol, 4-20mA Output	STT25H	◆		◆
	Digital DE/ 4-20mA Output, for Digital Integration	STT25D	◆		◆
	Dual input, HART Protocol, 4-20mA output	STT25T	◆		◆
	All modules carry the following approvals: CE Mark for compliance to EN 50081-2 and 50082-2 Russian Certificate of Pattern Approval No. 2064 of Jan. 1998 Choose additional safety approvals required in Table VII.				

TABLE I - Sensor, Probe and Thermowell Accessories

No Integral Sensor Probe or Thermowell Supplied	0	◆		◆
Sensor Probe and/or Thermowell mounted or tested with STT 3000 ⁽¹⁾	1	◆		

TABLE II - Transmitter Housing and Integral Meters (Reference EN01-6032 for details)

Housing	No Housing Supplied	0 __			◆
	Explosion-Proof Aluminum with Baked on Beige Polyester/Epoxy Paint	E __	◆		
	Field Mount ⁽²⁾ Explosion-Proof Aluminum with Beige Epoxy Paint	X __	◆		
	Explosion-Proof 316 Stainless Steel	T __	◆		
Cable/Conduit Entry	Not Applicable - No Housing Supplied	_ 0 _			◆
	1/2" NPT Cable/ Conduit Entry	_ N _	◆		
	M20 x 1.5 Cable/ Conduit Entry	_ M _			
Integral Meter ⁽³⁾	No Integral Meter Supplied	_ _ 0	◆		◆
	Analogue Meter for Field Mount Housing	_ _ M	◆		
	Engineering Unit Meter for Field Mount Housing	_ _ E		g	
	Smart Meter for Field Mount Housing	_ _ S		a	

⁽¹⁾ See Price Pages 13:TP-1 to 15 for sensor/well selections and pricing.

⁽²⁾ With a Field Mount Housing, 20 characters max. of customer information is available on the nameplate at no charge. (See 13:STT-OE pages for ordering instructions.)

⁽³⁾ Remote Meter available as Model RMA300. See Price Page 13:RM-1.

HOW WILL THE UNIT BE MOUNTED?

Module only (no housing), to be DIN rail or wall mounted Availability
 Module to be "head mounted" directly to the sensor in smaller housing
 Module to be "field mounted" in Explosion-Proof housing remotely from or directly to the sensor

TABLE III - Configuration, Tagging and Manual

		Selection	↓	↓	↓
Configuration	None - Factory Default Configuration Supplied	0 __	◆	◆	◆
	Transmitter Configuration (See 13:STT-OE pages for choice)	T __	◆	◆	◆
Customer Tagging ⁽⁴⁾	No Tagging Required	_ 0 _	◆	◆	◆
	316 SS Wired-on Customer I.D. Tag (4 lines, 28 chars. per line, customer specified information)	_ T _	◆	◆	
	316 SS Wired-on Customer I.D. Tag (blank)	B	◆	◆	
Operator's Manual ⁽⁵⁾	None	_ _ 0	◆	◆	◆
	English Language Version (one per five units)	_ _ E	◆	◆	◆
	French Language Version (one per five units)	_ _ F	◆	◆	◆
	Spanish Language Version (one per five units)	_ _ S	b	b	b
	Chinese Language Version (one per five units)	_ _ C	b	b	b

TABLE IV - Optional Equipment

Mounting Arrangement	No Mounting Arrangement Supplied	0 __	◆	◆	◆
	Carbon Steel Mounting Bracket for 2" Pipe	M __	◆		
	Stainless Steel Mounting Bracket for 2" Pipe	S __	◆		
	Spring Loading Mounting set	L __		◆	◆
	DIN Rail Mounting via Clip (to Top Hat or "G" Rail)	D __			◆
316 SS Conduit Adaptor for Wiring Entry	No Adaptor(s) Supplied	_ 0 _	◆	◆	◆
	1/2" NPT to M20 x 1.5 1 Adaptor	_ 1 _	c		
	(Ex d IIC approved) 2 Adaptors	_ 2 _	c		
	1/2" NPT to 3/4" NPT 1 Adaptor	_ 3 _	◆		
Lightning Protection	No Lightning Protection Supplied	_ _ 0	◆	◆	◆
	Externally Mountable to Field Mount Housing	_ _ L	e		
	Internal Surge/ Lightning Protection	_ _ S	◆		

TABLE V - Optional Extended Warranty Coverage & Certificates

Optional Extended Warranty	Standard Warranty	0 __	◆	◆	◆
	Additional Warranty - 1 year	1 __	◆	◆	◆
	Additional Warranty - 2 years	2 __	◆	◆	◆
	Additional Warranty - 3 years	3 __	◆	◆	◆
Optional Certificate ⁽⁵⁾	No Transmitter Configuration/ Calibration Certificate	_ 0 _	◆	◆	◆
	Transmitter Configuration/ Calibration Certificate	_ D _	◆	◆	◆
	FMEDA (SIL) + Config./ Calibration Certificate	_ S _	g	g	g
	No Certificate of Conformance/ Origin	_ _ 0	◆	◆	◆
	Certificate of Conformance/ Origin	_ _ C	◆	◆	◆
	FMEDA (SIL) + Conformance/ Origin Certificate	_ _ S	g	g	g

TABLE VI - Additional Features

No Selection	00	◆	◆	◆
--------------	----	---	---	---

⁽⁴⁾ Full model number does not appear on module or head mount housing. If model number is to appear on unit, order wired on tag.

⁽⁵⁾ Chosen Operator's Manuals and chosen Certificates are automatically shipped with unit.
 See 13:STT-OE pages for additional manuals and alternate shipping.

TABLE VII - Safety Approvals

Selection

Approval Body	Approval Type	Location or Classification				
None	No approval body certifications included		00	♦		♦
Factory Mutual	Explosionproof	Class I, Div. 1, Groups A,B,C,D	1C	f		
	Dust-Ignitionproof	Class II, III Div. 1, Groups E,F,G				
	Intrinsically Safe	Class I, II, III, Div. 1, Groups A,B,C,D,E,F,G				
	Nonincendive	Class I, Div. 2, Groups A,B,C,D				
	Suitable for Outdoor Location	Class II, III, Div. 2, Groups F, G Enclosure Type 4X				
	Explosionproof	Class I, Div. 1, Groups B,C,D (with Indicator)	1J	♦		
	Dust-Ignitionproof	Class II, III, Div. 1 Groups E,F,G				
	Intrinsically Safe	Class I, II, III, Div. 1, Groups A,B,C,D,E,F,G				
	Nonincendive	Class I, Div. 2, Groups A,B,C,D				
	Suitable for Outdoor Location	Class II, III, Div. 2, Groups F,G Enclosure Type 4X				
Intrinsically Safe	Class I, II, III, Div. 1, Groups A,B,C,D,E,F,G	1G		♦	♦	
Nonincendive	Class I, Div. 2, Groups A,B,C,D					
CSA	Explosion-Proof	Class I, Div. 1, Groups B,C,D	2J	♦		
	Dust Ignition-Proof	Class II, III, Div. 1, Groups E,F,G				
	Intrinsically Safe	Class I, II, III, Div. 1, Groups A,B,C,D,E,F,G				
	Suitable for Outdoor Location	Class II, III, Div. 2, Groups F,G Enclosure Type 4X				
	Intrinsically Safe	Class I, II, III, Div. 1, Groups A,B,C,D,E,F,G	2G		♦	♦
Suitable for	Class I, Div. 2, Groups A,B,C,D					
INMETRO (Brazil)	Intrinsically Safe Zones 0/1	Ex ia IIC T4, T5, T6 (Module Only)	6S			b
	Intrinsically Safe, Zones 0/1	Ex ia IIC T4, T5, T6 Enclosure rated IP 66/67	6S	b		b
	Flameproof, Zone 1	Ex d IIC T6 Enclosure rated IP 66/67	6D	p		
ATEX*	Intrinsically safe Zone 0/1	Ex II 1G EEx ia IIC T6, T5, T4 (Module)	3S	♦		♦
	Flameproof, zone 1	Ex II 2G EEx d IIC T6 Enclosure rated IP 66/67	3D	p		♦
	Non-Sparking zone 2	Ex II 3G EEx nA, T6, Zone 2 (Honeywell) Module to installed in enclosure rated IP 54 minimum	3N	♦		♦
	Multiple Marking** Int. Safe, Zone 0/1, or Flameproof, Zone 1, or Non-Sparking, Zone 2	Ex II 1 G EEx ia IIC T4, T5, T6 Ex II 2 G EEx d IIC T5, T6 Ex II 3 G EEx nA, IIC T6 (Honeywell) Enclosure IP 66/67	3H	p		

*See ATEX installation requirements in Operator's Manual EN11-6190

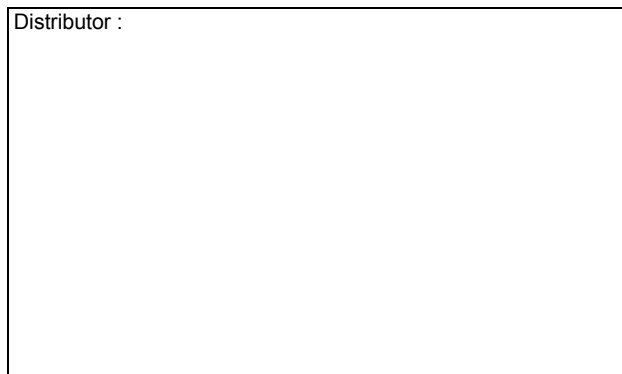
**The user must determine the type of protection required for installation of the equipment. The user shall then check the box [✓] adjacent to the type of protection used on the equipment certification nameplate. Once a type of protection has been checked on the nameplate, the equipment shall not then be reinstalled using any of the other certification types.

RESTRICTIONS

Restriction		Available Only With		Not Available With
Letter	Table	Selection	Table	Selection
a	II	STT25D and STT25M	II	STT25H and STT25T
b			Key No	STT25T (Choose other language)
e			VII	3D
f	II	EN0, XN0, TN0	I	1
g	Key No.	STT25H, STT25M		See Note6
p	II	E __, X __, T __	I	1

This Page Intentionally Blank

Distributor :



Honeywell

Honeywell Process Solutions

Honeywell Inc.

In the U.S.A.: Honeywell 2500 W. Union Hills Dr., Phoenix, AZ 85027, (602) 313-5000

In Europe: Honeywell PACE, 3 Avenue de Schipol, B-1140 Brussels, Belgium, (32) 2-728-2111

In Asia: Honeywell Asia Pacific Inc., Honeywell Building, 17 Changi Business Park, Central 1, Singapore 486073. (65) 355 2828

In the Africa & Middle East Region, Honeywell SpA, Via Vittor Pisani 13, 20124 Milano, Italy, (39-2) 67731

Mediterranean:

In Canada: The Honeywell Centre, 155 Gordon Baker Rd., North York, Ontario M2H 3N7, 1-800-461-0013

In Latin America: Honeywell Inc., 14505 Commerce Way, Suite 500, Miami Lakes, Florida 33016-1556, (305) 3642300

