

UDC2300

Universal Digital Controller Limit Control Model Product Manual

Doc. No.:	51-52-25-74
Release:	B
Last Revision Date:	10/00

Copyright, Notices, and Trademarks

Printed in U.S.A. – © Copyright 2000 by Honeywell

Revision B – October 2000

WARRANTY/REMEDY

Honeywell warrants goods of its manufacture as being free of defective materials and faulty workmanship. Contact your local sales office for warranty information. If warranted goods are returned to Honeywell during the period of coverage, Honeywell will repair or replace without charge those items it finds defective. The foregoing is Buyer's sole remedy and is **in lieu of all other warranties, expressed or implied, including those of merchantability and fitness for a particular purpose**. Specifications may change without notice. The information we supply is believed to be accurate and reliable as of this printing. However, we assume no responsibility for its use.

While we provide application assistance personally, through our literature and the Honeywell web site, it is up to the customer to determine the suitability of the product in the application.

Sensing and Control
Honeywell
11 West Spring Street
Freeport, Illinois 61032

UDC2300 is a trademark of Honeywell

About This Document

Abstract

This document provides descriptions and procedures for the installation, configuration, operation, and troubleshooting of your UDC2300 Limit Controller.

Contacts

World Wide Web

The following lists Honeywell's World Wide Web sites that will be of interest to our customers.

Honeywell Organization	WWW Address (URL)
Corporate	http://www.honeywell.com
Sensing and Control	http://www.honeywell.com/sensing
International	http://www.honeywell.com/Business/global.asp













Telephone

Contact us by telephone at the numbers listed below.

	Organization	Phone Number
United States and Canada	Honeywell	1-800-423-9883 Tech. Support 1-888-423-9883 Q&A Faxback (TACFACS) 1-800-525-7439 Service
Asia Pacific	Honeywell Asia Pacific Hong Kong	(852) 2829-8298
Europe	Honeywell PACE, Brussels, Belgium	[32-2] 728-2111
Latin America	Honeywell, Sunrise, Florida U.S.A.	(854) 845-2600

Symbol Definitions

The following table lists those symbols that may be used in this document to denote certain conditions.

Symbol	Definition
	This DANGER symbol indicates an imminently hazardous situation, which, if not avoided, will result in death or serious injury .
	This WARNING symbol indicates a potentially hazardous situation, which, if not avoided, could result in death or serious injury .
	This CAUTION symbol may be present on Control Product instrumentation and literature. If present on a product, the user must consult the appropriate part of the accompanying product literature for more information.
	This CAUTION symbol indicates a potentially hazardous situation, which, if not avoided, may result in property damage .
	WARNING PERSONAL INJURY: Risk of electrical shock. This symbol warns the user of a potential shock hazard where HAZARDOUS LIVE voltages greater than 30 Vrms, 42.4 Vpeak, or 60 Vdc may be accessible. Failure to comply with these instructions could result in death or serious injury.
	ATTENTION, Electrostatic Discharge (ESD) hazards. Observe precautions for handling electrostatic sensitive devices
	Protective Earth (PE) terminal. Provided for connection of the protective earth (green or green/yellow) supply system conductor.
	Functional earth terminal. Used for non-safety purposes such as noise immunity improvement. NOTE: This connection shall be bonded to protective earth at the source of supply in accordance with national local electrical code requirements.
	Earth Ground. Functional earth connection. NOTE: This connection shall be bonded to Protective earth at the source of supply in accordance with national and local electrical code requirements.
	Chassis Ground. Identifies a connection to the chassis or frame of the equipment shall be bonded to Protective Earth at the source of supply in accordance with national and local electrical code requirements.
	Earth Ground. Functional earth connection. NOTE: This connection shall be bonded to Protective earth at the source of supply in accordance with national and local electrical code requirements.
	Chassis Ground. Identifies a connection to the chassis or frame of the equipment shall be bonded to Protective Earth at the source of supply in accordance with national and local electrical code requirements.

Contents

1	INTRODUCTION	1
1.1	Overview	1
1.2	CE Conformity (Europe).....	2
2	INSTALLATION	3
2.1	Overview	3
2.2	Model Number Interpretation	5
2.3	Preliminary Checks	6
2.4	Limit Control and Alarm Relay Contact Information.....	8
2.5	Mounting.....	9
2.6	Wiring	11
2.7	Wiring Diagrams.....	12
2.8	Limit Control Application Diagram.....	17
3	INITIAL START-UP	19
3.1	Overview	19
3.2	Powering Up the Controller	19
3.3	Operator Interface and Key Functions	20
3.4	Key Error Message.....	20
4	CONFIGURATION	21
4.1	Overview	21
4.2	Configuration Prompt Hierarchy	22
4.3	Configuration Procedure.....	23
4.4	Lock Set Up Group	24
4.5	Limit Set Up Group.....	25
4.6	Input 1 Set Up Group.....	26
4.7	Options Set Up Group.....	28
4.8	Communications Set Up Group	29
4.9	Alarms Set Up Group.....	31
4.10	Configuration Record Sheet.....	33

5	OPERATING THE LIMIT CONTROLLER.....	35
5.1	Overview.....	35
5.2	Operator Interface.....	36
5.3	Entering a Security Code.....	36
5.4	Lockout Feature.....	37
5.5	Monitoring Your Limit Controller.....	38
5.6	Operating Your Limit Controller.....	40
5.7	Alarm Setpoints.....	42
6	INPUT CALIBRATION.....	43
6.1	Overview.....	43
6.2	Minimum and Maximum Range Values.....	44
6.3	Preliminary Information.....	45
6.4	Input 1 Set Up Wiring.....	47
6.5	Input 1 Calibration Procedure.....	49
6.6	Restore Factory Calibration.....	51
7	TROUBLESHOOTING/SERVICE.....	53
7.1	Overview.....	53
7.2	Troubleshooting Aids.....	54
7.3	Power-up Tests.....	56
7.4	Status Tests.....	56
7.5	Background Tests.....	57
7.6	Controller Failure Symptoms.....	58
7.7	Troubleshooting Procedures.....	59
8	PARTS LIST.....	63
8.1	Exploded View.....	63
9	INDEX.....	65

Tables

Table 2-1	Condensed Specifications	4
Table 2-2	Preliminary Checks	6
Table 2-3	Limit Control Relay Contact Information	8
Table 2-4	Alarm Relay Contact Information	8
Table 2-5	Mounting Procedure	10
Table 2-6	Permissible Wiring Bundling	12
Table 4-1	Configuration Prompt Hierarchy	22
Table 4-2	Configuration Procedure	23
Table 4-3	LOCK Group Function Prompts	24
Table 4-4	LIMIT Group Function Prompts	25
Table 4-5	INPUT1 Group Function Prompts	26
Table 4-6	Options Group Function Prompts	28
Table 4-7	Communications Group	29
Table 4-8	ALARMS Group Function Prompts	31
Table 5-1	Procedure to Enter a Security Code	37
Table 5-2	Annunciators	38
Table 5-3	Error Messages	39
Table 5-4	Using Contact Input Option	41
Table 5-5	Procedure for Displaying Alarm Setpoints	42
Table 6-1	Voltage and Resistance Equivalents for 0% and 100% Range Values	44
Table 6-2	Equipment Needed	46
Table 6-3	Set Up Wiring Procedure for Thermocouple Inputs Using an Ice Bath	47
Table 6-4	Set Up Wiring Procedure for Thermocouple Inputs using Thermocouple Source	47
Table 6-5	Set Up Wiring Procedure for RTD Inputs	48
Table 6-6	Set Up Wiring Procedure for Radiamatic, Milliampere, Millivolts, or Volts Inputs (Except 0-10 Volts)	48
Table 6-7	Set Up Wiring Procedure for 0 to 10 Volts	49
Table 6-8	Input 1 Calibration Procedure	50
Table 6-9	Restore Factory Calibration	52
Table 7-1	Procedure for Identifying the Software Version	55
Table 7-2	Procedure for Displaying the Status Test Results	56
Table 7-3	Background Tests	57
Table 7-4	Controller Failure Symptoms	58
Table 7-5	Troubleshooting Power Failure Symptoms	60
Table 7-6	Troubleshooting Latching Output Relay Failure	60
Table 7-7	Troubleshooting Alarm Relay Output Failure	61
Table 7-8	Troubleshooting a Keyboard Failure	61
Table 8-1	Parts Identification	63
Table 8-2	Parts Not Shown	64

Figures

Figure 1-1 UDC2300 Operator Interface _____	2
Figure 2-1 Model Number Interpretation _____	5
Figure 2-2 Jumper Placements _____	7
Figure 2-3 Mounting Dimensions (not to scale) _____	9
Figure 2-4 Mounting Method _____	10
Figure 2-5 Composite Wiring Diagram _____	12
Figure 2-6 Mains Power Supply _____	13
Figure 2-7 Input 1 Connections _____	13
Figure 2-8 Electromechanical Relay Output _____	14
Figure 2-9 Solid State Relay Output _____	14
Figure 2-10 Open Collector Relay Output _____	15
Figure 2-11 Alarm Output Connections _____	15
Figure 2-12 External Interface Option Connections _____	16
Figure 2-13 Limit Controller Application Diagram _____	17
Figure 3-1 Operator Interface and Key Functions _____	20
Figure 5-1 Operator Interface _____	36
Figure 6-1 Input 1 Wiring Terminals _____	45
Figure 6-2 Wiring Connections for Thermocouple Inputs Using an Ice Bath _____	47
Figure 6-3 Wiring Connections for Thermocouple Inputs Using Thermocouple Source _____	47
Figure 6-4 Wiring Connections for RTD (Resistance Thermometer Device) _____	48
Figure 6-5 Wiring Connections for Radiamatic, Milliamperes, Millivolts, or Volts (Except 0 to 10 Volts) _____	49
Figure 6-6 Wiring Connections for 0 to 10 Volts _____	49
Figure 8-1 UDC2300 Exploded View _____	63

1 Introduction

1.1 Overview

Introduction

UDC2300 Limit Controllers accept input signals from any of several types of external sensors such as Thermocouples (T/Cs) and Resistance Temperature Detectors (RTDs). It conditions these signals, as necessary, to derive the equivalent Process Variable (PV) value that drives various circuits in the controller.

The equivalent PV signal is compared with the Limit control set point and any error signal from the differential amplifier de-energizes the coil of an electromechanical, single-pole, single-throw (SPST) limit output relay.

When de-energized, the output relay “Locks Out” and remains that way until the PV input signal drops below the High Limit Set Point or goes above the Low Limit Set Point and the controller is reset manually via the keyboard or from a remote location (Contact Input Option).

You can select normally open (N.O.) or normally closed (N.C.) Limit Relay Contacts simply by moving a jumper.

The contact of the output relay terminates at the rear terminal of the controller to which you make the appropriate field wiring connections.

A flashing “LIMIT” in the lower display indicates that the output relay is de-energized.

High Limit Controller

When the PV input signal is below the limit set point, the output relay energizes. If the PV signal *exceeds* the limit set point, the output relay de-energizes and the flashing “LIMIT” display is turned on.

When the PV signal returns to a value below the limit set point, the controller can be reset manually using the MAN-AUTO RESET key or Contact Input Option.

Low Limit Controller

When the PV input signal is above the limit set point, the output relay energizes. If the PV signal *falls below* the limit set point, the output relay de-energizes and the flashing “LIMIT” display is turned on.

When the PV signal returns to a value above the limit set point, the controller can be reset manually using the MAN-AUTO RESET key or Contact Input Option.

Operator Interface

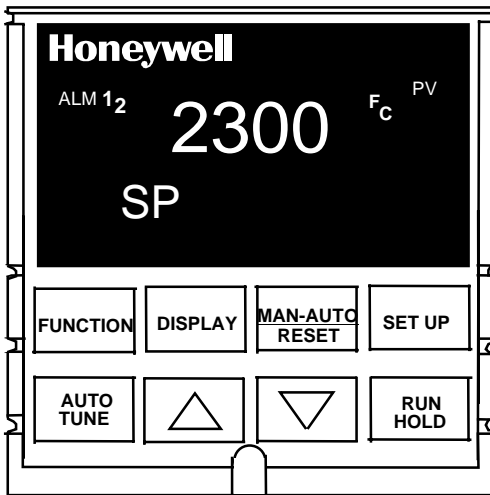


Figure 1-1 UDC2300 Operator Interface

1.2 CE Conformity (Europe)

This product is in conformity with the protection requirements of the following European Council Directives: **73/23/EEC**, the Low Voltage Directive, and **89/336/EEC**, the EMC Directive. Conformity of this product with any other “CE Mark” Directive(s) shall not be assumed.

Product Classification: Class I: Permanently connected, panel-mounted Industrial Control Equipment with protective earthing (grounding). (EN61010-1).

Enclosure Rating: Panel-mounted equipment, IP 00. This controller must be panel-mounted. Terminals must be enclosed within the panel. Front panel IP 65 (IEC 529).

Installation Category (Overvoltage Category): Category II: Energy-consuming equipment supplied from the fixed installation, local level appliances, and Industrial Control Equipment. (EN61010-1)

Pollution Degree: Pollution Degree 2: Normally non-conductive pollution with occasional conductivity caused by condensation. (Ref. IEC 664-1)

EMC Classification: Group 1, Class A, ISM Equipment (EN55011, emissions), Industrial Equipment (EN50082-2, immunity)

Method of EMC Assessment: Technical File (TF)

Declaration of Conformity: 51309602-000

Deviation from the installation conditions specified in this manual, and the special conditions for CE conformity in Section 2.1, may invalidate this product’s conformity with the Low Voltage and EMC Directives.

2 Installation

2.1 Overview

Introduction

Installation of the UDC2300 consists of mounting and wiring the controller according to the instructions given in this section. Read the pre-installation information, check the model number interpretation, and become familiar with your model selections, then proceed with installation.

What's in this section?

The following topics are covered in this section.

TOPIC	See Page
2.1 Overview	3
2.2 Model Number Interpretation	5
2.3 Preliminary Checks	6
2.4 Limit Control and Alarm Relay Contact Information	8
2.5 Mounting	9
2.6 Wiring	11
2.7 Wiring Diagrams	12
Composite Wiring Diagram	12
AC Line Voltage	13
Input 1 Connections	13
Relay Output	
Electromechanical	14
Solid State	14
Open Collector	15
Alarm Connections	15
External Interface Connections	16
2.8 Limit Controller Application Diagram	17

Pre-installation Information

If the controller has not been removed from its shipping carton, inspect the carton for damage then remove the controller.

- Inspect the unit for any obvious shipping damage and report any damage due to transit to the carrier.
- Make sure a bag containing mounting hardware is included in the carton with the controller.
- Check that the model number shown on the inside of the case agrees with what you have ordered.

Condensed Specifications

Honeywell recommends that you review and adhere to the operating limits listed in Table 2-1 when you install your controller.

Table 2-1 Condensed Specifications

Operating Limits	<p>Ambient Temperature: 32 °F to 131 °F (0 °C to 55 °C)</p> <p>Relative Humidity: 5 % to 90 % RH up to 104 °F (40 °C)</p> <p>Vibration: <i>Frequency:</i> 0 Hz to 200 Hz <i>Acceleration:</i> 0.6g</p> <p>Mechanical Shock: <i>Acceleration:</i> 5 g <i>Duration:</i> 30 ms</p> <p>Power: 90 Vac to 264 Vac, 50/60 Hz (CSA models rated to 250 Vac maximum)</p> <p>Power Consumption: 12 VA maximum</p>
Accuracy	<p>± 0.25 % of span typical ± 1 digit for display 15-bit resolution typical</p>
CE Conformity Special Conditions (Europe)	<p>Shielded twisted-pair cables are required for all analog I/O, process variable, RTD, thermocouple, dc Millivolts, low level signal, 4-20 mA, digital I/O, and computer interface circuits.</p> <p><i>Refer to 51-52-05-01, How to Apply Digital Instrumentation in Severe Electrical Noise Environments, for additional information.</i></p>

2.3 Preliminary Checks

Introduction

Before you install the controller, remove the chassis and make any preliminary checks necessary that are listed in Table 2-2. Figure 2-2 shows the locations for jumper placements.

Table 2-2 Preliminary Checks

Check Number	Preliminary Check	Description
1	Input I Jumper Placement	Check the internal jumper for INPUT 1 to make sure it is set for the correct input type. The jumper is located at position S101 on the printed wiring board. Figure 2-2 shows the location of the jumper and position selections.
2	Limit Control Relay 1	Check the internal jumper (W101) for CONTROL . The relay is shipped as N.O. (Normally Open). Figure 2-2 shows the location of the jumper and position selections. See Table 2-3 for Limit Control Relay contact information
3	Alarm Relay Action.	The controller has been shipped with ALARM relays configured for N.C. (Normally Closed). If you want to change to N.O. refer to Figure 2-2, Jumper positions W201 and W202: W201 is the ALARM RELAY 1 jumper. W202 is the jumper for ALARM RELAY 2 . See Table 2-3 for Limit Control Relay contact information, and Table 2-4 for Alarm Relay contact information. See Alarm Relay Caution Note, Page 8.

Note: Solid State and Open Collector must have jumper set to N.O. (Normally Open).

Jumper Placements

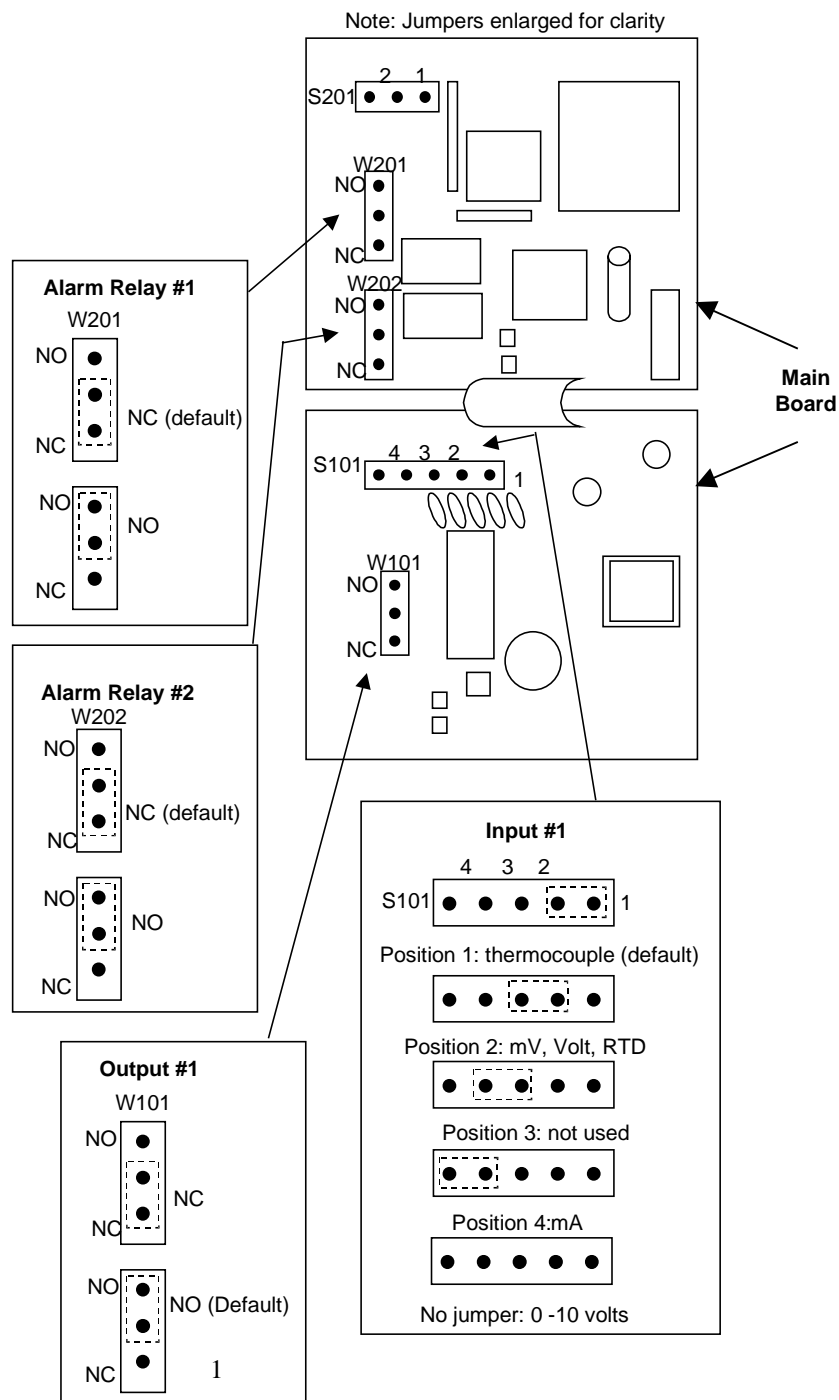


Figure 2-2 Jumper Placements

2.4 Limit Control and Alarm Relay Contact Information

Limit Control Relays

NOTICE

Limit Control relays are designed to operate in a Failsafe mode. This results in momentary (5 seconds maximum) limit action when power is initially applied, until the unit completes self-diagnostics. If power is lost to the unit, the Limit Control Relay will still function.

Table 2-3 Limit Control Relay Contact Information

Unit Power	Limit Control Relay Jumper	Variable NOT in Limit State		Variable IN Limit State	
		Relay Contact	Indicator	Relay Contact	Indicator
Off	N.O.	Open	Off	Open	Off
	N.C.	Closed		Closed	
On	N.O.	Closed	Off	Open	On
	N.C.	Open		Closed	

Alarm Relays

NOTICE

Alarm relays are designed to operate in a Failsafe mode (that is, de-energized during alarm state). This results in alarm actuation when power is OFF or when initially applied, until the unit completes self-diagnostics. If power is lost to the unit, the alarms will function.

Table 2-4 Alarm Relay Contact Information

Unit Power	Alarm Relay Wiring	Variable NOT in Alarm State		Variable in Alarm State	
		Relay Contact	Indicators	Relay Contact	Indicators
Off	N.O.	Open	Off	Open	Off
	N.C.	Closed		Closed	
On	N.O.	Closed	Off	Open	On
	N.C.	Open		Closed	

2.5 Mounting

Physical Considerations

The controller can be mounted on either a vertical or tilted panel using the mounting kit supplied. Adequate access space must be available at the back of the panel for installation and servicing activities.

- Overall dimensions and panel cutout requirements for mounting the controller are shown in Figure 2-3.
- The controller’s mounting enclosure must be grounded according to CSA standard C22.2 No. 0.4 or Factory Mutual Class No. 3820 paragraph 6.1.5.
- The front panel is moisture rated NEMA 3/IP65 (IEC) when properly installed with panel gasket.

Overall Dimensions

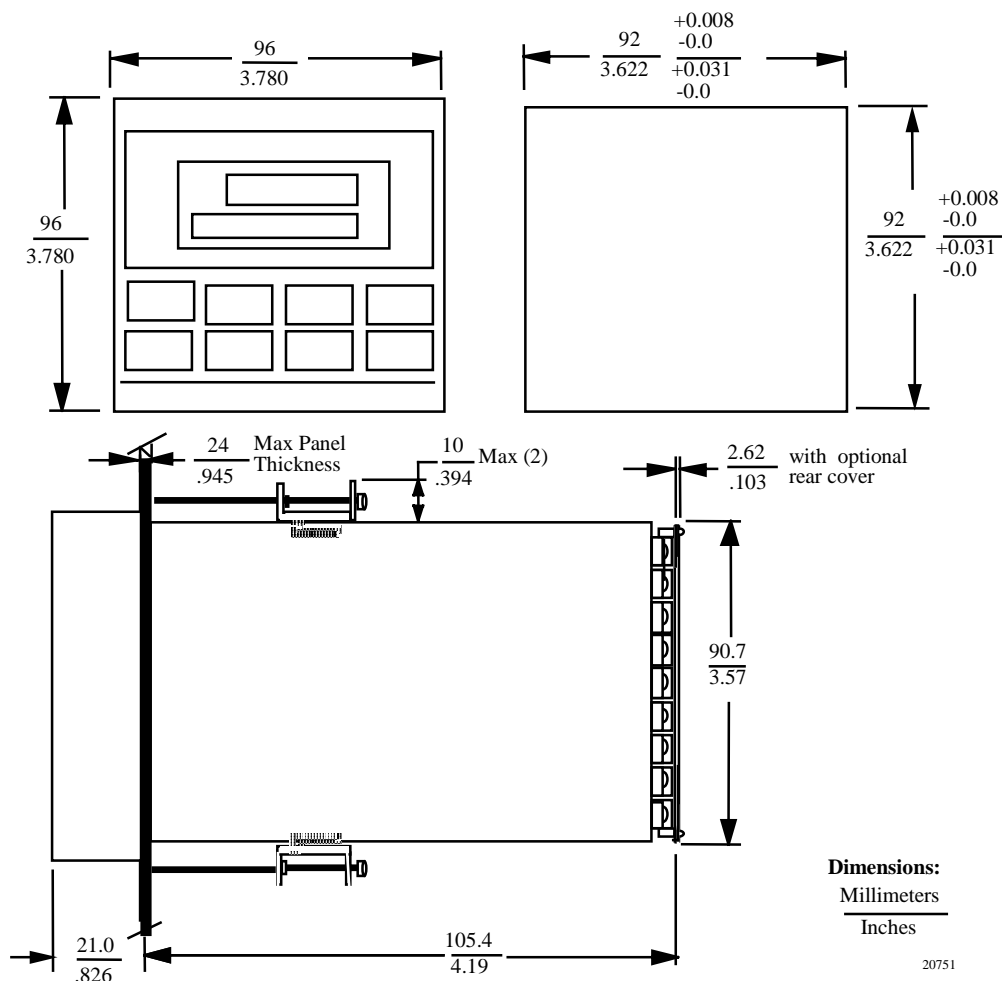


Figure 2-3 Mounting Dimensions (not to scale)

Mounting Method

Before mounting the controller, refer to the nameplate on the outside of the case and make a note of the model number. It will help later when selecting the proper wiring configuration.

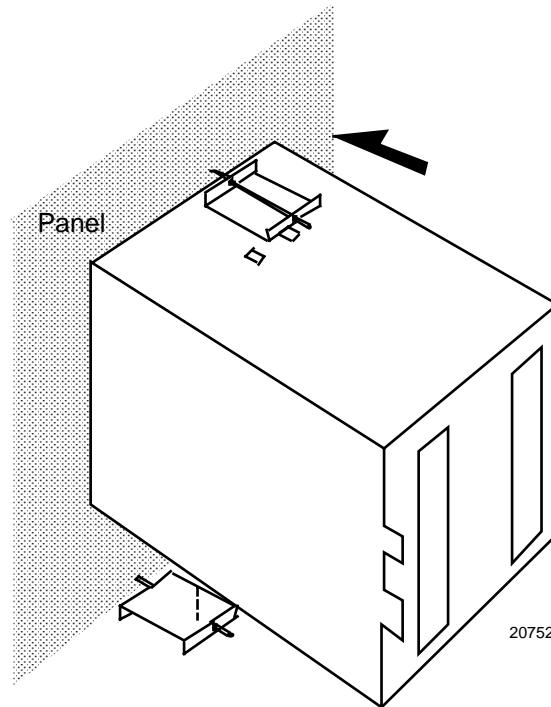


Figure 2-4 Mounting Method

Mounting Procedure

Table 2-5 Mounting Procedure

Step	Action
1	Mark and cut out the controller hole in the panel according to the dimension information in Figure 2-3.
2	Remove the screw cover and loosen the screw on the front of the controller. Pull the chassis out of the case.
3	Orient the case properly and slide it through the panel hole from the front.
4	Remove the mounting kit from the shipping container and install the kit as follows: <ul style="list-style-type: none"> • Install the screws into the threaded holes of the clips. • Insert the prongs of the clips into the two holes in the top and bottom of the case. • Tighten both screws to secure the case against the panel. • Carefully slide the chassis assembly into the case, press to close, and tighten the screw. Replace the screw cover.

2.6 Wiring

Electrical Considerations



The controller is considered “rack and panel mounted equipment” per EN61010-1, Safety Requirements for Electrical Equipment for Measurement, Control, and Laboratory Use, Part 1: General Requirements. Conformity with 72/23/EEC, the Low Voltage Directive requires the user to provide adequate protection against a shock hazard. The user shall install this controller in an enclosure that limits OPERATOR access to the rear terminals.

Mains Power Supply

This equipment is suitable for connection to 90 Vac to 264 Vac, 50/60 Hz, power supply mains. It is the user’s responsibility to provide a switch and non-time delay (North America), quick-acting, high breaking capacity, Type F (Europe), 1/2A, 250V fuse(s), or circuit-breaker, as part of the installation. The switch or circuit breaker shall be located in close proximity to the controller, within easy reach of the OPERATOR. The switch or circuit breaker shall be marked as the disconnecting device for the controller.

Controller Grounding

PROTECTIVE BONDING (grounding) of this controller and the enclosure in which it is installed shall be in accordance with National and Local electrical codes. To minimize electrical noise and transients that may adversely affect the system, supplementary bonding of the controller enclosure to a local ground, using a No. 12 (4 mm²) copper conductor, is recommended.

Control/Alarm Circuit Wiring

The insulation of wires connected to the Control/Alarm terminals shall be rated for the highest voltage involved. Extra Low Voltage (ELV) wiring (input, current output, and low voltage Control/Alarm circuits) shall be separated from HAZARDOUS LIVE (>30 Vac, 42.4 V_{peak}, or 60 V_{dc}) wiring per Permissible Wiring Bundling, Table 2-6.

Electrical Noise Precautions

Electrical noise is composed of unabated electrical signals, which produce undesirable effects in measurements and control circuits.

Digital equipment is especially sensitive to the effects of electrical noise. Your controller has built-in circuits to reduce the effect of electrical noise from various sources. If there is a need to further reduce these effects:

- *Separate External Wiring*—Separate connecting wires into bundles (See Permissible Wiring Bundling - Table 2-6) and route the individual bundles through separate conduit metal trays.
Use Suppression Devices—For additional noise protection, you may want to add suppression devices at the external source. Appropriate suppression devices are commercially available.

NOTICE

For additional noise information, refer to Document #51-52-05-01, *How to Apply Digital Instrumentation in Severe Electrical Noise Environments*.

Permissible Wiring Bundling

Table 2-6 Permissible Wiring Bundling

Bundle No.	Wire Functions
1	<ul style="list-style-type: none"> • Line power wiring • Earth ground wiring • Control relay output wiring • Line voltage alarm wiring
2	<p>Analog signal wire, such as:</p> <ul style="list-style-type: none"> • Input signal wire (thermocouple, 4 to 20 mA, etc.) <p>Digital input signals</p>
3	<ul style="list-style-type: none"> • Low voltage alarm relay output wiring • Low voltage wiring to solid state type control circuits

2.7 Wiring Diagrams

Identify Your Wiring Requirements

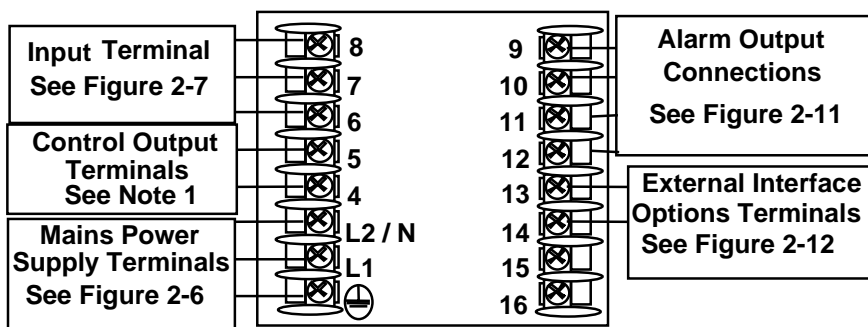
To determine the appropriate diagrams for wiring your controller, refer to the model number interpretation in this section. The model number of the controller can be found on the outside of the case.

Limit Control Application Diagram

Figure 2-13 shows the Right and Wrong way to wire your Limit Controller.

Wiring the Controller

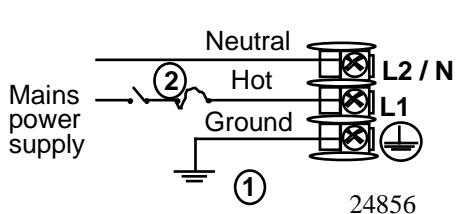
Using the information contained in the model number, select the appropriate wiring diagrams from the composite wiring diagram below. Refer to the individual diagrams listed to wire the controller according to your requirements.



NOTE1: Electromechanical Relay Output – See Figure 2-8
 Solid State Relay Output – See Figure 2-9
 Open Collector Output – See Figure 2-10

24855

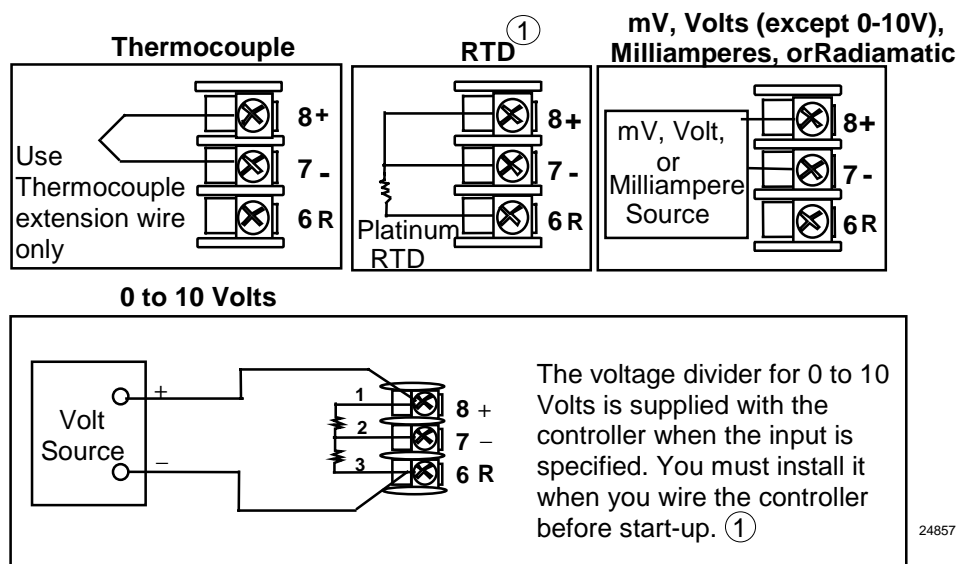
Figure 2-5 Composite Wiring Diagram



① PROTECTIVE BONDING (grounding) of this controller and the enclosure in which it is installed, shall be in accordance with National and Local electrical codes. To minimize electrical noise and transients that may adversely affect the system, supplementary bonding of the controller enclosure to a local ground, using a No. 12 (4 mm²) copper conductor, is recommended. **Before powering the controller, see “Preliminary Checks” in this section of the Product manual for switch and jumper settings.**

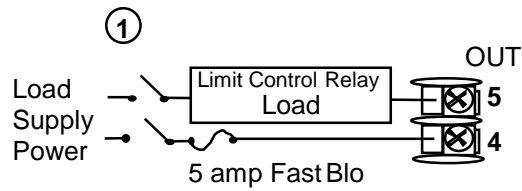
② Provide a switch and non-time delay (North America), quick-acting, high breaking capacity, type F (Europe), 1/2 A, 250 V fuse(s), or circuit-breaker as part of the installation.

Figure 2-6 Mains Power Supply



① These inputs are wired differently than the UDC2000

Figure 2-7 Input 1 Connections

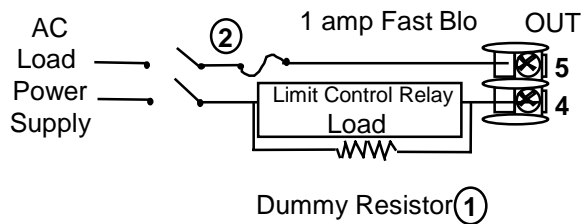


24859

- ① Control relay is configured N.O. as shipped. Alarm relays 1 and 2 are configured N.C. as shipped. N.O. or N.C. configurations are selectable by jumpers on the Main printed wiring boards.
See “Preliminary Checks” in this section of the Product Manual for details. Each SPST relay is rated at 5A, 120 Vac and 30 Vdc, 2.5 A 240 Vac. User-provided fuses should be sized accordingly. For solid state relay outputs, see Figure 2-13.

See Figure 2-11 for Alarm Output Connections.
 See Table 2-3 and Table 2-4 for Limit Control and Alarm Relay Contact information.

Figure 2-8 Electromechanical Relay Output



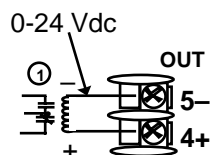
24860

- ① If the load current is less than the minimum rated value of 20 mA, there may be a residual voltage across both ends of the load even if the relay is turned off. Use a dummy resistor as shown to counteract this. The total current through the resistor and the load current must exceed 20 mA.
- ② Solid State relay is rated at 1 Amp at 25°C, linearly derated to 0.5 Amp at 55°C. Customer should size fuse accordingly.

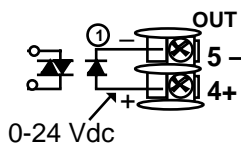
See Figure 2-11 for Alarm Output Connections.
 See Table 2-3 and Table 2-4 for Limit Control and Alarm Relay Contact information.

Figure 2-9 Solid State Relay Output

Customer Supplied External Electromechanical Relay



Customer Supplied External Solid State Relay



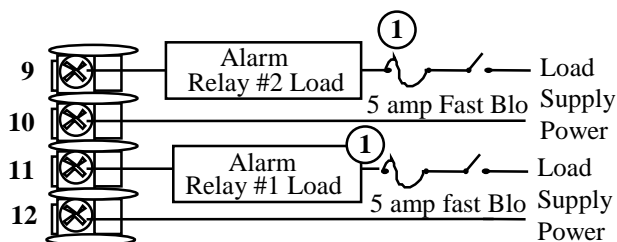
24861L

CAUTION Open collector outputs are internally powered at 24 Vdc. Connecting an external supply will damage the controller. External relays should be fused between power and relay load.

See Figure 2-11 for Alarm Output Connections.

See Tables 2-3 and 2-4 for Limit Control and Alarm Relay Contact information.

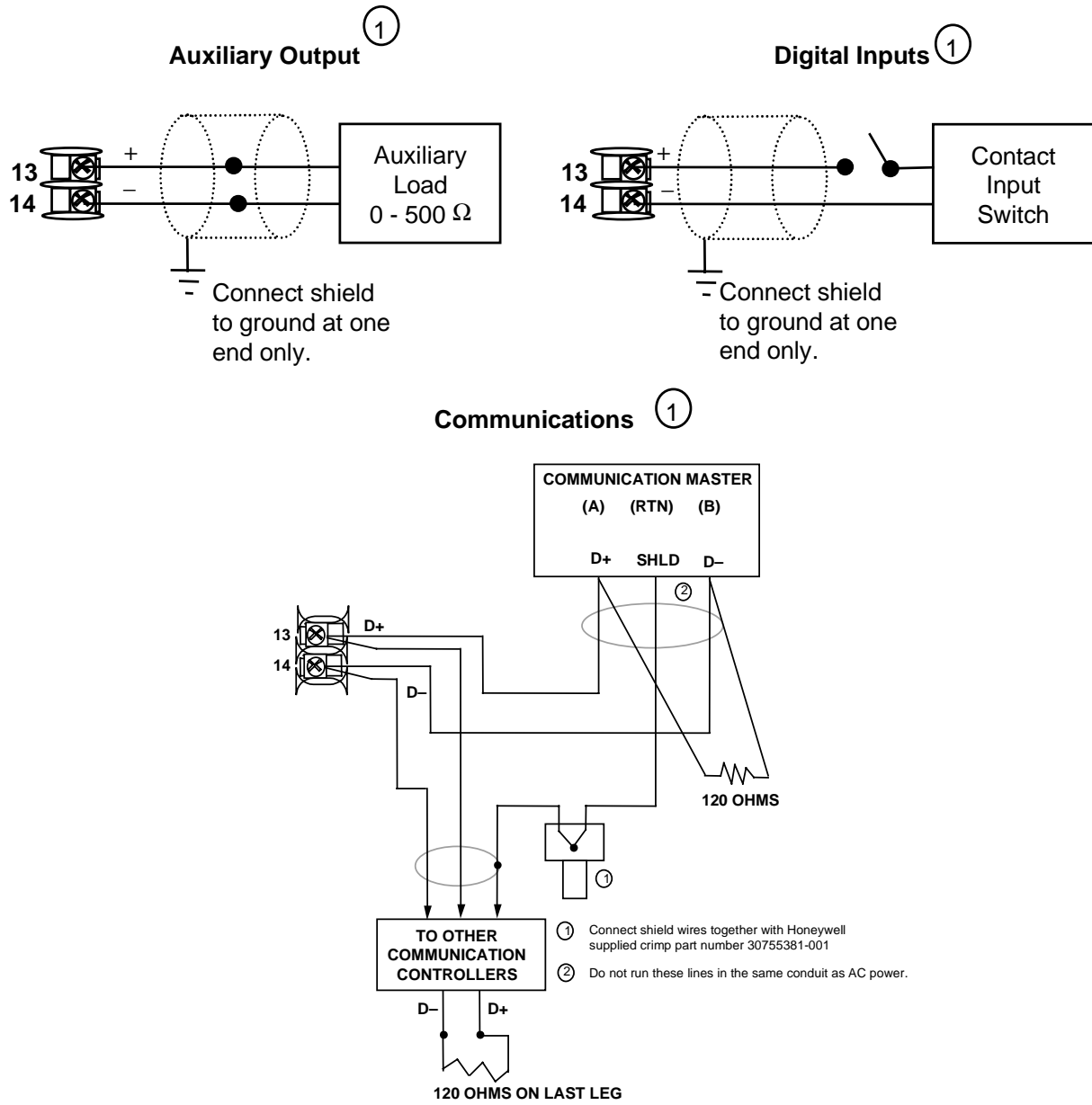
Figure 2-10 Open Collector Relay Output



24867

1 Control relay is configured N.O. as shipped. Alarm relays 1 and 2 are configured N.C. as shipped. N.O. or N.C. configurations are selectable by jumpers on main printed wiring boards. **See "Preliminary Checks" in this section of the Product Manual for details.** Each SPST relay is rated at 5 A, 120 Vac and 30 Vdc, 2.5 A, 240 Vac.

Figure 2-11 Alarm Output Connections



① AuxOut , Digital Input and Communications are mutually exclusive.

Figure 2-12 External Interface Option Connections

2.8 Limit Control Application Diagram

Limit Controller Wiring

Figure 2-13 shows the RIGHT and WRONG way to wire your Limit Controller.

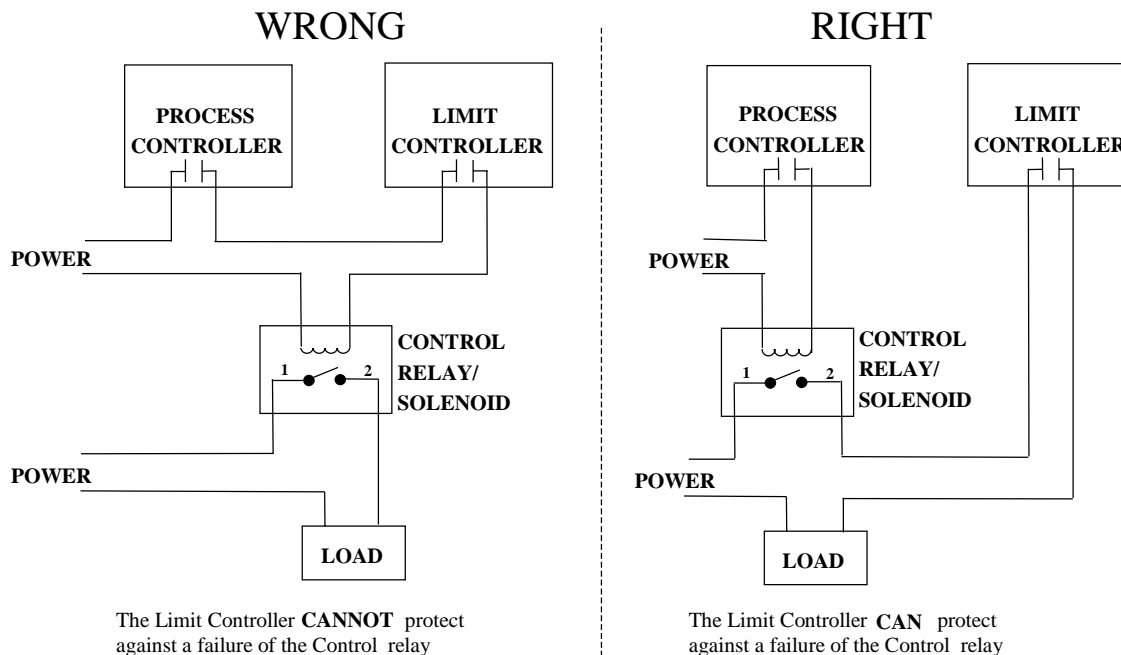


Figure 2-13 Limit Controller Application Diagram

3 Initial Start-up

3.1 Overview

This section gives you the information necessary to start up your controller prior to configuration. Review the Operator Interface portion to make sure you are familiar with the indicator definitions and key functions.

3.2 Powering Up the Controller

Apply Power

When power is applied, the controller will run three diagnostic tests. After these tests are completed, “TEST DONE” is displayed.

Test Failures

If one or more of these tests fail, a message indicating which test failed will appear in the lower display. Then, “DONE” will appear in the lower display.

3.3 Operator Interface and Key Functions

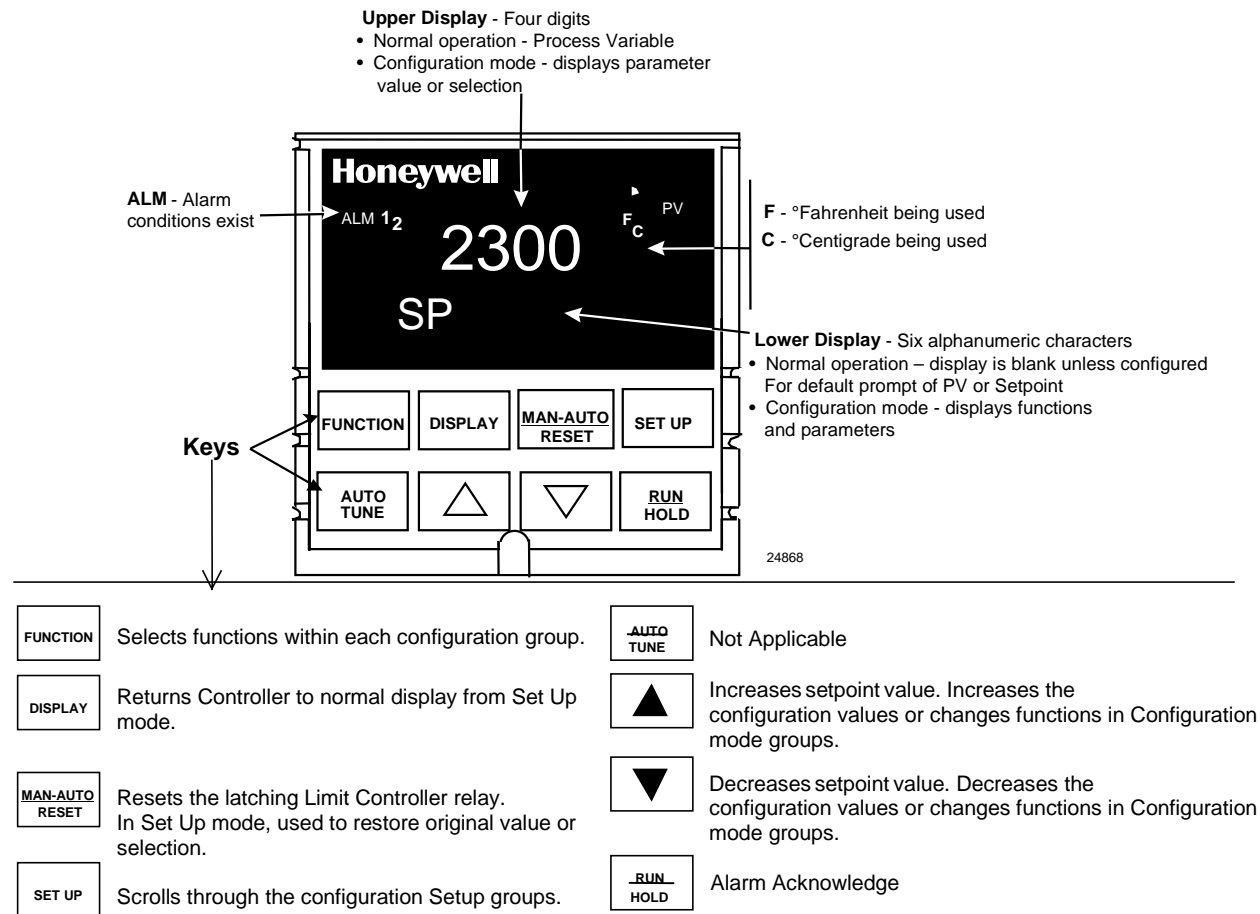


Figure 3-1 Operator Interface and Key Functions

3.4 Key Error Message

When a key is pressed and the prompt KEYERR appears in the lower display, it will be for one of the following reasons:

- parameter is not available,
- not in Set Up mode, press **[SET UP]** key first,
- key malfunction.

4 Configuration

4.1 Overview

Introduction

Configuration is a dedicated operation where you use straightforward keystroke sequences to select and establish (configure) pertinent control data best suited for your application.

To assist you in the configuration process, there are prompts that appear in the upper and lower displays. These prompts let you know what group of configuration data (Set Up prompts) you are working with and also, the specific parameters (Function prompts) associated with each group.

Figure 3-1 shows you an overview of the prompt hierarchy as they appear in the controller.

As you will see, the configuration data is divided into 5 main Set Up groups plus prompts for calibration and prompts that show the status of the continuous background tests that are being performed

What's in this section?

The following topics are covered in this section.

TOPIC	See Page
4.1 Overview	21
4.2 Configuration Prompt Hierarchy	22
4.3 Configuration Procedure	23
4.4 Lockout Group	24
4.5 Limit Group	25
4.6 Input 1 Set Up Group	26
4.7 Options Set Up Group	28
4.8 Communications Set Up Group	29
4.9 Alarms Set Up Group	31
4.10 Configuration Record Sheet	33

4.2 Configuration Prompt Hierarchy

Table 4-1 Configuration Prompt Hierarchy

Set Up Group	Function Prompts
LOCK	SECUR LOCK
LIMIT	LOOrHI POWRUP SPMAX SPMIN DISPLY
INPUT1	DECMAL UNITS IN1TYP XMITR1 IN1 HI IN1 LO RATIO1 BIAS 1 FILTR1 BRNOUT EMISS FREQ
OPTIONS	EXTRST AUXOUT
COM	ComSTA ComADR SDENAB SHDTIM PARITY BAUD TX DLY WS FLT UNITS LOOPBK
ALARMS	A1S1VA A1S2VA A2S1VA A2S2VA A1S1TY A1S2TY A2S1TY A2S2TY A1S1HL A1S1EV A1S2HL A1S2EV A2S1HL A2S1EV A2S2HL A2S2EV ALHYST ALARM1 BLOCK
STATUS	VERSON FAILSF TESTS

4.3 Configuration Procedure

Introduction

Each of the Set Up groups and their functions are pre-configured at the factory. The factory settings are shown in Table 4-3 through Table 4-8 that follow this procedure. If you want to change any of these selections or values, follow the procedure in Table 4-2. This procedure tells you the keys to press to get to any Set Up group and any associated Function parameter prompt.

Procedure

NOTICE

The prompting scrolls at a rate of 2/3 seconds when the **[SET UP]** or **[FUNCTION]** key is held in. Also, **[▲]** **[▼]** keys will move group prompts forward or backward at a rate twice as fast.

Table 4-2 Configuration Procedure

Step	Operation	Press	Result
1	Enter Set Up Mode	SET UP	<i>Upper Display = SET</i> <i>Lower Display = LOCK</i> (This is the first Set Up Group title)
2	Select any Set Up Group	SET UP	Sequentially displays the other Set Up group titles shown in the prompt hierarchy in Table 4-1. You can also use the [▲] [▼] keys to scan the Set Up groups in both directions. Stop at the Set Up group title that describes the group of parameters you want to configure. Then proceed to the next step.
3	Select a Function Parameter	FUNCTION	<i>Upper Display =</i> the current value or selection for the first function prompt of the selected Set Up group. <i>Lower Display =</i> the first Function prompt within that Set Up group. Sequentially displays the other function prompts of the Set Up group you have selected. Stop at the function prompt that you want to change, then proceed to the next step.
4	Change the Value or Selection	[▲] [▼]	Increments or decrements the value or selection that appears for the selected function prompt. If you change the value or selection of a parameter while in Set Up mode then decide not to enter it, press [MAN-AUTO/RESET] once—the original value or selection is recalled.
5	Enter the Value or Selection	FUNCTION	Enters value or selection made into memory after another key is pressed.
6	Exit Configuration	DISPLAY	Exits configuration mode and returns controller to the same state it was in immediately preceding entry into the Set Up mode. It stores any changes you have made. If you do not press any keys for 30 seconds, the controller times out and reverts to the mode and display used prior to entry into Set Up mode.

4.4 Lock Set Up Group

Introduction

The Lock Set Up group contains the Function parameters that will allow your controller to protect Configuration and Calibration data.

Because this group contains functions that have to do with Security and Lockout, it is best to configure this group last, after all the other configuration data has been loaded.

Function Prompts

Table 4-3 LOCK Group Function Prompts

Prompt	Description	Selection or Range of Setting	Factory Setting
SECUR	Security Code	0 to 4095 When "Lock" is none, this number is displayed and can be changed using the raise/lower keys	DIS
LOCK	Configuration Lockout	NONE – all parameters are read/write CAL - all parameters are read/write except Calibration CONF – configuration parameters are Read Only; no writes permitted +SP – Only the Lockout group is available for read/write. Setpoint value is Read Only.	CAL

4.5 Limit Set Up Group

Introduction

This data deals with the type of Limit Control you want, power up Logic, setpoint high and low limits, and the default display function Prompts

Table 4-4 LIMIT Group Function Prompts

Prompt	Description	Selection or Range of Setting	Factory Setting
LOorHI	Type of Limit Controller	<p>LOW - Limit Control - latching relay de-energizes when PV goes below configured setpoint; cannot be reset until PV rises above configured setpoint and [MAN-AUTO RESET] key is pressed.</p> <p>HIGH - Limit Control - latching relay de-energizes when PV goes above configured setpoint; cannot be reset until PV drops below configured setpoint and [MAN-AUTO RESET] key is pressed.</p>	Configured according to the model number
POWRUP	Power Up Logic	<p>RST - after power down, the controller latching relay will have to be reset.</p> <p>NORM - after power down, the controller will operate normally in the same mode as before power was removed unless a limit has been exceeded. If the limit was latched at power down, the unit will be in "Limit" at power up and have to be reset.</p>	NORM
SP_MAX	SP High Limit	<p>HIGH SETPOINT LIMIT - this selection prevents the setpoint from going above the value selected here. The setting must be equal to or less than the upper range of the input. <i>0 % to 100 % of input in engineering units</i></p>	1000
SP_MIN	SP Low Limit	<p>LOW SETPOINT LIMIT - this selection prevents the setpoint from going below the value selected here. The setting must be equal to or greater than the lower range of the input. <i>0 % to 100 % of input in engineering units</i></p>	0
DISPLY	Normal Display	<p>SP - Setpoint - if configured the setpoint will be displayed in the upper display. "SP" will appear in the lower display.</p> <p>PROC - Process Variable - PV will be displayed in the upper display.</p>	PROC

4.6 Input 1 Set Up Group

Introduction

This data deals with various parameters required to configure Input 1.

Function Prompts

Table 4-5 INPUT1 Group Function Prompts

Prompt	Description	Selection or Range of Setting	Factory Setting																																	
DECIMAL	Decimal Point Selection	This selection determines where the decimal point appears in the display. 8888 (none) 888.8 88.88	8888																																	
UNITS	Temperature Units	This selection will be indicated on the annunciator. ("What display of temperature do you want?") F C NONE	F																																	
IN1TYP	Input 1 Actuation Type	<table border="0"> <tr> <td>B</td> <td>W H</td> <td rowspan="15" style="border: 1px solid black; padding: 5px; vertical-align: middle;">Not available on FM Models</td> </tr> <tr> <td>E H</td> <td>W L</td> </tr> <tr> <td>E L</td> <td>100H</td> </tr> <tr> <td>J H</td> <td>100L</td> </tr> <tr> <td>J L</td> <td>200</td> </tr> <tr> <td>K H</td> <td>500</td> </tr> <tr> <td>K L</td> <td>RADH</td> </tr> <tr> <td>NNMH</td> <td>RADI</td> </tr> <tr> <td>NNML</td> <td>0-20</td> </tr> <tr> <td>N90H</td> <td>4-20</td> </tr> <tr> <td>N90L</td> <td>10m</td> </tr> <tr> <td>NIC</td> <td>50m</td> </tr> <tr> <td>R</td> <td>0-5</td> </tr> <tr> <td>S</td> <td>1-5</td> </tr> <tr> <td>T H</td> <td>0-10</td> </tr> <tr> <td>T L</td> <td>100m</td> </tr> </table>	B	W H	Not available on FM Models	E H	W L	E L	100H	J H	100L	J L	200	K H	500	K L	RADH	NNMH	RADI	NNML	0-20	N90H	4-20	N90L	10m	NIC	50m	R	0-5	S	1-5	T H	0-10	T L	100m	K H
B	W H	Not available on FM Models																																		
E H	W L																																			
E L	100H																																			
J H	100L																																			
J L	200																																			
K H	500																																			
K L	RADH																																			
NNMH	RADI																																			
NNML	0-20																																			
N90H	4-20																																			
N90L	10m																																			
NIC	50m																																			
R	0-5																																			
S	1-5																																			
T H	0-10																																			
T L	100m																																			
XMTR1	Transmitter Characterization <i>Available on Linear actuations only.</i> <i>Not available on FM Models</i>	<table border="0"> <tr> <td>B</td> <td>S</td> </tr> <tr> <td>E H</td> <td>T H</td> </tr> <tr> <td>E L</td> <td>T L</td> </tr> <tr> <td>J H</td> <td>W H</td> </tr> <tr> <td>J L</td> <td>W L</td> </tr> <tr> <td>K H</td> <td>100H</td> </tr> <tr> <td>K L</td> <td>100L</td> </tr> <tr> <td>NNMH</td> <td>200</td> </tr> <tr> <td>NNML</td> <td>500</td> </tr> <tr> <td>N90H</td> <td>RADH</td> </tr> <tr> <td>N90L</td> <td>RADI</td> </tr> <tr> <td>NIC</td> <td>LIN</td> </tr> <tr> <td>R</td> <td>SrT</td> </tr> </table>	B	S	E H	T H	E L	T L	J H	W H	J L	W L	K H	100H	K L	100L	NNMH	200	NNML	500	N90H	RADH	N90L	RADI	NIC	LIN	R	SrT	LIN							
B	S																																			
E H	T H																																			
E L	T L																																			
J H	W H																																			
J L	W L																																			
K H	100H																																			
K L	100L																																			
NNMH	200																																			
NNML	500																																			
N90H	RADH																																			
N90L	RADI																																			
NIC	LIN																																			
R	SrT																																			

Prompt	Description	Selection or Range of Setting	Factory Setting
IN1 HI	Input 1 High Range Value	Range of Setting: –999 to 9999. floating in engineering units Linear Ranges Only	2400
IN1 LO	Input 1 Low Range Value	Range of Setting: –999 to 9999. floating in engineering units Linear Ranges Only	0
BIAS 1	Bias on Input 1	Range of Setting: -999 to 9999 (Non-FM)(Engineering Units) -10 to 10 (FM Models)	0.0
FILTR1	Filter for Input 1	A software digital filter is provided for input 1 to smooth the input signal. You can configure the first order lag time constant from 1 to 120 seconds Range of Setting: 0 to 120 seconds 0 = No Filter	1.0
BRNOUT	Burnout Protection (Sensor Break)	UP - UPSCALE BURNOUT is provided for high limit control. DOWN - DOWNSCALE BURNOUT is provided for low limit control.	UP
EMISS	Emissivity	Emissivity is a correction factor applied to the Radiamatic input signal that is the ratio of the actual energy emitted from the target to the energy which would be emitted if the target were a perfect radiator. Range of Setting: 0.01 to 1.00 (RADH and RADJ only)	1.0
FREQ	Power Line Frequency	Select whether your controller is operating at 60 Hz or 50 Hz. 60 50	60
<div style="border: 1px solid black; padding: 5px; width: fit-content; margin: auto;"> <p>NOTICE</p> <p>For units powered by +24 Vdc, this configuration should be set to the AC Line frequency used to produce the +24 Vdc Supply. Failure to set this parameter properly can cause normal mode noise problems in the input readings.</p> </div>			

4.7 Options Set Up Group

Introduction

The Options group lets you configure the remote mode switch (Digital Inputs) to a specific contact closure response, or configure the Auxiliary Output to be a specific selection with desired scaling. Auxiliary Output and External Reset are mutually exclusive.

Function Prompts

Table 4-6 Options Group Function Prompts

Prompt	Description	Selection or Range of Setting	Factory Setting
AUXOUT	Auxiliary Output	<p>This selection provides a current output representing the process variable. The display for auxiliary output viewing will be in engineering units.</p> <p>Other prompts affected by these selections: "0 PCT" and "100 PCT."</p> <p>NONE Disabled PROC Represents the value of the Process Variable.</p>	DIS
0 PCT	Auxiliary Output Low Scaling Factor	Value in Engineering Units	0
100PCT	Auxiliary Output High Scaling Factor	Value in Engineering Units	100
EXTRST	Digital Input	<p>EXTERNAL RESET (DIGITAL INPUT) — resets the latching relay on contact closure.</p> <p>DIS – Disable ENAB – Enable</p>	DIS

4.8 Communications Set Up Group

Introduction

The Communications group lets you configure the controller to be connected to a host computer via RS422/485 or Modbus® protocol.

Function Prompts

Table 4-7 Communications Group

Prompt	Description	Selection or Range of Setting	Factory Setting
COMSTA	Communications State	This prompt lets you select the type of communications protocol. DIS Disabled R422 RS-422/485 MODB Modbus	DIS
ComADD	Station Address	This is a number that is assigned to a controller that is to be used with the communications option. This number will be its address. Range of Setting: 1 to 99	0
SDENAB	Disable/Enable Shed function	DIS Disable ENAB Enable	ENAB
SHDTIM	Shed Time	This is the number that represents how many sample periods there will be before the controller sheds from communications. Each period equals 1/3 seconds; 0 equals No shed. Range of Setting: 0 to 255 Sample Periods	0
PARITY	Parity	PARITY pertains to the use of a self-checking code employing binary digits in which the total number of ONE's (or ZERO's) in each permissible code expression is either ODD or EVEN .	ODD
BAUD	Baud Rate	BAUD RATE is the transmission speed in bits per second 2400 Baud 4800 Baud 9600 Baud 19200 Baud	2400
TX_DLY	Response Delay	Configurable response-delay timer allows you to force the UDC to delay its response for a time period of from 1 to 500 milliseconds compatible with the host system hardware/software. Range of Setting: 1 to 500 milliseconds	1

Prompt	Description	Selection or Range of Setting		Factory Setting	
WS FLT	Word/Byte Order for floating point communications data	<u>Byte</u>	<u>Contents</u>	FP_B	
		0	seeeeeee		
		1	emmmmmmm		
		2	mmmmmmmm		
		3	mmmmmmmm		
		<u>Choice</u>	<u>Byte Order</u>		
		FP_B	0123		
		FPBB	1032		
		FP_L	3210		
		FPLB	2301		
		FP_B Floating point big endian			
		FPBB Floating point big endian with byte-swapped			
		FP_L Floating point little endian			
		FPLB Floating point little endian with byte-swapped			
UNITS	Communications Override Units	This selection determines how the controller values are expressed during communications.		PCT	
		PCT	Percent		
		Eng	Engineering Units		
LOOPBK	Local Loopback Test	Allows loopback test. The UDC goes into Loopback mode in which it sends and receives its own message. The UDC displays PASS or FAIL status in the upper display and LOOPBACK in the lower display while the test is running. The UDC will go into manual mode. The test will run until the operator disables it here, or until power is turned off and on.		DIS	
		<p>NOTICE</p> <p>The UDC does not have to be connected to the RS-485 link to perform this test. If it is connected, only one UDC2300 should run the loopback test at a time. The computer should not be transmitting on the link while the loopback test is active.</p>			
		DIS	Disable		
		EnAB	Enable		

4.9 Alarms Set Up Group

Introduction

An alarm is an indication that an event that you have configured (for example—Process Variable) has exceeded one or more alarm limits. There are two alarms available. Each alarm has two setpoints. You can configure each of these two setpoints to alarm on various controller parameters.

There are two alarm output selections, High and Low. You can configure each setpoint to alarm either High or Low. These are called single alarms.

You can also configure the two setpoints to alarm on the same event and to alarm both high and low. A single adjustable Hysteresis of 0 to 100% is configurable for the alarm setpoint.

See Table 2-4 in the Installation section for Alarm relay contact information.

The prompts for the Alarm Outputs appear whether or not the alarm relays are physically present. This allows the Alarm status to be shown on the display and/or sent via communications to a host computer.

Function Prompts

Table 4-8 ALARMS Group Function Prompts

Prompt	Description	Selection or Range of Setting	Factory Setting
AxSxVA A1S1 A1S2 A2S1 A2S2	Alarm Setpointx Value X = 1 or 2	This is the value at which you want the alarm type chosen in Prompt "AxSxTY" to actuate. The value depends on what the alarm setpoint has been configured to represent. Range of Setting: within the range of the selected parameter or of the PV Span for Deviation configurations	90
AxSxTY A1S1 A1S2 A2S1 A2S2	Alarmx Setpointx Type X = 1 or 2	Select what you want Setpoint x of Alarm x to represent; it can represent the Process Variable or Deviation. NONE No Alarm PROC Process Variable DE Deviation SHED Shed Communications (Shed alarms do not have setpoint values) PVRT PV Rate of Change DI Alarm on Digital Input	NONE
AxSxHL A1S1 A1S2 A2S1 A2S2	Alarmx Setpoint State X = 1 or 2	Select whether you want the alarm type chosen in prompt "AxSxTY" to alarm High or Low. LOW Low Alarm HIGH High Alarm	HIGH

Prompt	Description	Selection or Range of Setting	Factory Setting
ALHYST	Alarm Hysteresis	<p>A single adjustable hysteresis is provided on alarms such that when the alarm is OFF it activates at exactly the alarm setpoint; when the alarm is ON, it will not deactivate until the variable is 0.0 % to 100 % away from the alarm setpoint.</p> <p>Configure the hysteresis of the alarms based on INPUT signals as a % of input range span.</p> <p>Range of Setting: 0.0 % to 100.0 % of span</p>	0.0
ALARM1	Latching Alarm Output	<p>When configured for latching, the alarm will stay on, after the alarm condition ends, until the [RUN/HOLD] key is pressed.</p> <p>NO L Non Latching LACH Latching</p>	NO L
BLOCK	Alarm Blocking	<p>Alarm Blocking prevents nuisance alarms when the controller is first powered up. The alarm is suppressed until the parameter gets to the non-alarm limit or band. Alarm blocking affects both alarm setpoints.</p> <p>DIS Disable Blocking BK1 Block Alarm 1 only BK2 Block Alarm 2 only BK12 Blocks both Alarms</p>	DIS

4.10 Configuration Record Sheet

Enter the value or selection for each prompt on this sheet so you will have a record of how your controller was configured.

Group Prompt	Function Prompt	Value or Selection	Factory Setting	Group Prompt	Function Prompt	Value or Selection	Factory Setting
LOCK	SECUR LOCK	_____	DIS CAL	COM	ComSTA	_____	DIS
		_____			ComADR	_____	0
LIMIT	LOW or HIGH POWRUP	_____	HIGH NORM	SDENAB	_____	ENAB	
	SP MAX	_____	1000	SHDTIM	_____	0	
	SP MIN	_____	0	PARITY	_____	ODD	
	DISPLY	_____	PROC	BAUD	_____	2400	
				TX DLY	_____	1	
				WS FLT	_____	FP_B	
				UNITS	_____	PCT	
				LOOPBK	_____	DIS	
INPUT1	DECMAL UNITS	_____	8888	ALARMS	A1S1VA	_____	90
	IN1TYP	_____	F		A1S2VA	_____	90
	XMITR1	_____	KH	A2S1VA	_____	90	
	IN1 HI	_____	LIN	A2S2VA	_____	90	
	IN1 LO	_____	2400	A1S1TY	_____	NONE	
	BIAS 1	_____	1.00	A1S1TY	_____	NONE	
	FILTR1	_____	0.0	A2S1TY	_____	NONE	
	BRNOUT	_____	1.0	A2S2TY	_____	NONE	
	EMIS	_____	UP	A1S1HL	_____	HIGH	
	FREQ	_____	1.0	A1S2HL	_____	HIGH	
	DISPLY	_____	60	A2S1HL	_____	HIGH	
			SP	A2S2HL	_____	HIGH	
				ALHYST	_____	0.0	
				ALARM1	_____	NOL	
				BLOCK	_____	DIS	
OPTIONS	AUXOUT	_____	DIS				
	0 PCT	_____	0				
	100 PCT	_____	100				
	EXT RST	_____	DIS				

5 Operating the Limit Controller

5.1 Overview

Introduction

This section gives you all the information necessary to help you monitor your controller including an Operator Interface overview, how to lockout changes to the controller, entering a security code, and monitoring the displays.

What's in this section?

The following topics are covered in this section.

TOPIC	See Page
5.2 Operator Interface	36
5.3 Entering A Security Code	37
5.4 Lockout Feature	36
5.5 Monitoring The Limit Controller	38
5.6 How to Operate Your Limit Controller	40
5.7 Alarm Setpoints	42

5.2 Operator Interface

Introduction

Figure 5-1 is a view of the Operator Interface. A description of the displays and indicators is included.

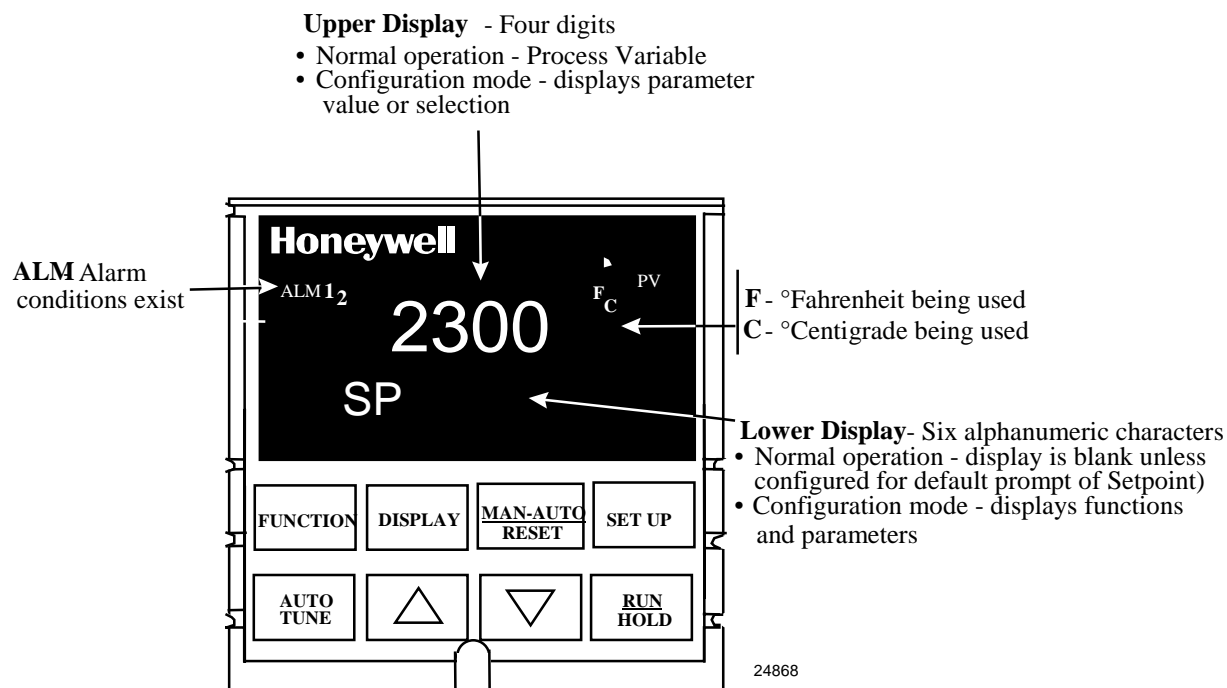


Figure 5-1 Operator Interface

5.3 Entering a Security Code

Introduction

The level of keyboard lockout may be changed in the Set Up mode. However, knowledge of a security code number (0 to 4095) may be required to change from one level of lockout to another. When a controller leaves the factory, it has a security code of 0, which permits changing from one lockout level to another without entering any other code number.

Procedure

If you require the use of a security code, select a number from 0001 to 4095 and enter it when the lockout level is configured as NONE. Thereafter, that selected number must be used to change the lockout level from something other than NONE.

NOTICE

Write the number on the Configuration Record Sheet in the configuration section so you will have a permanent record.

Table 5-1 Procedure to Enter a Security Code

Step	Operation	Press	Result
1	Enter Set Up Mode	SET UP	Upper Display = SET UP Lower Display = LOCK
2	Select any Set Up Group	FUNCTION	Upper Display = 0 Lower Display = SECUR
3	Security Code Entry	[▲] [▼]	To enter a four digit number in the upper display (0001 to 4095) This will be your security code.

5.4 Lockout Feature

Introduction

The lockout feature in the UDC2300 is used to inhibit changes (via keyboard) of certain functions or parameters by unauthorized personnel.

Lockout levels

There are different levels of Lockout depending on the level of security required. These levels are:

- **NONE** No Lockout. All groups Read/Write.
- **CAL** All groups Read/Write except Calibration
- **CONF** Configuration parameters are Read only. No writes permitted. Calibration Group is not available.
- **+SP** Only the Lockout group is available for Read/Write. Setpoint value is Read Only.

See *Subsection 4.4- Lockout Parameters Set Up Group* prompts to select one of the above.

Key error

When a key is pressed and the prompt “Key Error” appears in the lower display, it will be for one of the following reasons:

- Parameter not available or locked out
- Not in setup mode, press **[SET UP]** key first

5.5 Monitoring Your Limit Controller

Annunciators

The following annunciator functions have been provided to help monitor the controller:

Table 5-2 Annunciators

Annunciator	Indication
ALM 1 2	<i>A visual indication of each alarm</i> Blinking 1 indicates alarm latched and needs to be acknowledged before extinguishing when the alarm condition ends
F or C	<i>A visual indication of the temperature units</i> F—Degrees Fahrenheit C—Degrees Celsius

Display Mode

The displays and indicators on the operator interface, as shown in Figure 5-1, let you see what is happening to your process and how the Limit Controller is responding.

The Limit Controller is a single line display device except when in the SETUP mode or the **[DISPLAY]** key is pressed or limit has been reached.

This display can be one of two types:

Display Mode 1

The PV is displayed in the upper display and the lower display is blank.

Display Mode 2

The setpoint is displayed in the upper display and “SP” is displayed in the lower display.

Viewing the operating parameters

Press the **[DISPLAY]** key to scroll through the operating parameters:

SP* Setpoint

PV Process Variable

* You can press ▲ or ▼ to change the value of this parameter.

Timing out from lower display

The normal variable display will automatically return in the upper display if the **[DISPLAY]** key is not pressed for 30 seconds.

Diagnostic Error Messages

The UDC2300 performs background tests to verify data and memory integrity. If there is a malfunction, an error message will be displayed. In the case of more than one simultaneous malfunction, the messages will be displayed sequentially on the lower display. If any of these error messages in Table 5-3 occur, refer to *Section 7 - Troubleshooting* for information to correct the failure.

Table 5-3 Error Messages

Prompt	Description
EE FAIL	Unable to write to nonvolatile memory.
IN1FL	Two consecutive failures of input 1 integration.
CNFERR	Configuration Errors—Low limit greater than high limit for PV or SP
IN1RNG	Input 1 Out-of-Range Out-of-range criteria: Linear range: $\pm 10\%$ out-of-range Characterized range: $\pm 1\%$ out-of-range
PV LIM	PV Out-of-Range $PV = PV + PV \text{ bias}$
FAILSF	Failsafe — conditions for Failsafe are: ... EEROM Test Failed ... Scratch Pad RAM Test Failed ... Configuration Test Failed Check the “Status” group.

High and Low Limit Indication

When the high or low limit is exceeded, the lower display indicates the word “LIMIT” (blinking). The PV is indicated in the upper display. This will continue until the Out-of-Limit condition exists and you reset the latching relay using the [MAN-AUTO RESET] key or through the Optional External Reset feature.

The Limit Relay *cannot* be reset while a Limit condition exists.

5.6 Operating Your Limit Controller

Operating Principles

The Limit Controller accepts signals from such sources as Thermocouples (T/Cs), Resistance Temperature Detectors (RTDs), and Radiamatics. The equivalent PV signal is compared with the Limit set point. If above (Hi Limit) or below (Lo Limit), a limit output relay is de-energized. When de-energized, the output relay locks out and remains in this state until the PV input signal drops below the high limit setpoint or rises above the low limit setpoint, and the controller is reset manually from the front of the controller or through an optional external switch.

Check the configuration

Make sure the Limit Controller has been configured to handle your process needs. Refer to *Section 4 - Configuration* for prompts and parameters.

- Input Parameters
- Alarm Set Points and type
- Limit Control Type - high or low
- External Reset (Contact Input) - enable or disable
- Power-up Logic - Reset (relay on) or Normal (same as before power down)
- Lockout selection

Power Up Logic

Configurable power-up logic lets you select the latching output relay to require “RESET” or to provide normal operation at power-up. If power to the limit controller fails and power is reapplied, the controller goes through power up tests then starts in one of the following configurable conditions:

- If you configured RST at setup group “LIMIT”, the lower display will blink “LIMIT” at power up. This will require reset via the **[MAN-AUTO RESET]** key or external switch to obtain normal operation.
- If you configured NORM at setup group “LIMIT”, the display and limit controller will function normally at power up, (that is, no reset of the latching relay is required unless a limit has been exceeded). If the limit was latched when power went down, the unit will be in limit at power-up.

Refer to *Section 4 - Configuration, subsection 4.5 Limit Parameters Set Up Group* under SET UP prompt “LIMIT” and make your selection at FUNCTION prompt “POWRUP.”

How to Reset the Latching Relay

The latching relay cannot be reset until the PV input signal drops below the high set point (High Limit) or rises above the low set point (Low Limit) value.

Press the [MAN-AUTO RESET] key or make contact closure of an external switch if the External Reset option is present.

Using the Digital Input Option (External Reset)

The Contact Input option detects the state of external contacts. On contact closure, the controller will reset the latching relay if the controller has External Reset enabled. To allow External Reset (contact input) use the procedure in Table 5-4.

Table 5-4 Using Contact Input Option

Step	Operation	Press	Result
1	Select Options Set-up Group	SET UP	Until you see: <i>Upper Display</i> = SET <i>Lower Display</i> = OPTIONS
2	Access the External Reset Prompt	FUNCTION	Until you see: <i>Upper Display</i> = ENAB DIS <i>Lower Display</i> = EXTRST
3	Change a value	[▲] [▼]	To select ENAB in the upper display

5.7 Alarm Setpoints

Introduction

An alarm consists of a relay contact and an operator interface indication. The alarm relay is de-energized if setpoint 1 or setpoint 2 is exceeded.

The alarm relay is energized when the monitored value goes into the allowed region by more than the hysteresis.

The relay contacts can be wired for normally open (NO) energized or normally closed (NC) de-energized using internal jumper placement. See Table 2-4 in the *Section 2 – Installation* for alarm relay contact information.

There are four alarm setpoints, two for each alarm. The type and state (High or Low) is selected during configuration. See *Subsection 4– Configuration* for details.

Alarm Setpoints Display

Table 5-5 Procedure for Displaying Alarm Setpoints

Step	Operation	Press	Result
1	Select Alarm Set-up Group	SET UP	Until you see: <i>Upper Display = SET</i> <i>Lower Display = ALARMS</i>
2	Access the Alarm Setpoint Values	FUNCTION	To successively display the alarm setpoints and their values. Their order of appearance is shown below. <i>Upper Display = (the alarm setpoint value)</i> <i>Range values are within the range of the selected parameters:</i> <i>DE (Deviation) value = within Input 1 Span</i> <i>PV (Process variable) value = Within Input 1 range</i>
3	Change a value	[▲] [▼]	To change any alarm setpoint value in the upper display
4	Return to Normal Display	DISPLAY	

6 Input Calibration

6.1 Overview

Introduction

This section describes the field calibration procedures for Input 1.

- Every UDC2300 Limit controller contains all input actuation ranges, which are fully factory-calibrated and ready for configuration to range by the user.
- However, these procedures can be implemented if the factory calibration of the desired range is not within specification.

CAUTION

FIELD CALIBRATION WILL BE LOST

The field calibration will be lost if a change in input type configuration is implemented at a later time. The original factory calibration data remains available for later use after a field calibration is done. See subsection 6.6 if you want to restore factory calibration.

What's in this section?

The following topics are covered in this section.

TOPIC	See Page
6.1 Overview	43
6.2 Minimum and Maximum Range Values	44
6.3 Preliminary Information	45
6.4 Input #1 Set Up Wiring	47
6.5 Input #1 Calibration Procedure	49
6.6 Restore Factory Calibration	51



WARNING—SHOCK HAZARD



INPUT CALIBRATION MAY REQUIRE ACCESS TO HAZARDOUS LIVE CIRCUITS, AND SHOULD ONLY BE PERFORMED BY QUALIFIED SERVICE PERSONNEL. MORE THAN ONE SWITCH MAY BE REQUIRED TO DE-ENERGIZE UNIT BEFORE CALIBRATION.

Failure to comply with these instructions could result in death or serious injury.

Calibration Steps

Use the following steps when calibrating an input.

Step	Action
1	Find the minimum and maximum range values for your PV input range from Table 6-1.
2	Disconnect the field wiring and find out what equipment you will need to calibrate.
3	Wire the calibrating device to your controller according to the set up wiring instructions for your particular input (Subsection 6.4).
4	Follow the calibration procedure given for Input #1 (Subsection 6.5).

6.2 Minimum and Maximum Range Values

Select the Range Values

You should calibrate the controller for the minimum (0 %) and maximum (100 %) range values of your particular controller. Select the Voltage or Resistance equivalent for 0 % and 100 % range values from Table 6-1. Use these values when calibrating your controller.

Table 6-1 Voltage and Resistance Equivalents for 0 % and 100 % Range Values

Sensor Type	PV Input Range		Range Values	
	°F	°C	0 %	100 %
Thermocouples				
B	0 to 3300	-18 to 1816	-0.100 mV	13.769 mV
E	-454 to 1832	-270 to 1000	-9.835 mV	76.373 mV
E (low)	-200 to 1100	-129 to 593	-6.472 mV	44.455 mV
J	0 to 1600	-18 to 871	-0.886 mV	50.060 mV
J (low)	20 to 770	-7 to 410	-0.334 mV	22.400 mV
K	0 to 2400	-18 to 1816	-0.692 mV	52.952 mV
K (low)	-20 to 1000	-29 to 538	-1.114 mV	22.255 mV
NiNiMoly (NNM68)	32 to 2500	0 to 1371	0.000 mV	71.330 mV
NiNiMoly (low)	32 to 1260	0 to 682	0.000 mV	31.820 mV
NiMo-NiCo (NM90)	32 to 2500	0 to 1371	0.000 mV	71.773 mV
NiMo-NiCo (low)	32 to 1260	0 to 682	0.000 mV	31.825 mV
Nicrosil Nisil (Nic)	0 to 2372	-18 to 1300	-0.461 mV	47.513 mV
R	0 to 3100	-18 to 1704	-0.090 mV	20.281 mV
S	0 to 3100	-18 to 1704	-0.092 mV	17.998 mV
T	-300 to 700	-184 to 371	-5.341 mV	19.097 mV

Sensor Type	PV Input Range		Range Values	
	°F	°C	0 %	100 %
T (low)	-200 to 500	-129 to 260	-4.149 mV	12.574 mV
W5W26	0 to 4200	-18 to 2315	-0.234 mV	37.075 mV
W5W26 (low)	0 to 2240	-18 to 1227	-0.234 mV	22.283 mV
Honeywell Radiamatic				
Type RH	0 to 3400	-18 to 1871	0.00 mV	57.12 mV
Type RI*	0 to 3200	-18 to 1760	0.00 mV	60.08 mV
RTD (IEC Alpha=0.00385)				
100 ohms	-300 to 1200	-184 to 649	25.18 ohms	274.96 ohms
100 ohms (low)	-300 to 300	-184 to 149	25.18 ohms	156.90 ohms
200 ohms	-300 to 900	-184 to 482	50.36 ohms	549.92 ohms
500 ohms	-300 to 900	-184 to 482	125.90 ohms	1374.80 ohms
Linear				
Milliamps (impedance – 249 Ω)	4 to 20 mA 0 to 20 mA		4.00 mA 0.00 mA	20.00 mA 20.00 mA
Millivolts	0 to 10 mV 0 to 50 mV 0 to 100 mV		0.00 mV 0.00 mV 0.00 mV	10.00 mV 50.00 mV 100.00 mV
Volts	1 to 5 Volts 0 to 2 Volts 0 to 5 Volts 0 to 10 Volts*		1.00 Volts 0.00 Volts 0.00 Volts 0.00 Volts	5.00 Volts 2.00 Volts 5.00 Volts 10.00 Volts

6.3 Preliminary Information

Disconnect the Field Wiring

Tag and disconnect any field wiring connected to the input 1 terminals on the rear of the controller.

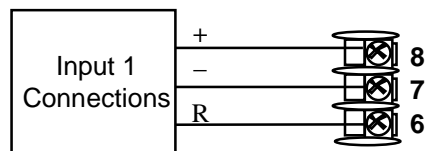


Figure 6-1 Input 1 Wiring Terminals

Check the Jumper for Input 1

Before you calibrate Input #1, check the internal jumper for Input 1 to make sure it is set for the correct input type. The jumper is located at position S101 on the printed wiring board. Figure 2-2 shows the location of the jumper and position selections.

Equipment Needed

Table 6-2 lists the equipment you will need to calibrate the specific types of inputs that are listed in the table. You will need a screwdriver to connect these devices to your controller.

Table 6-2 Equipment Needed

Type of Input	Equipment Needed
Thermocouple Inputs (Ice Bath)	<ul style="list-style-type: none"> • A calibrating device with $\pm 0.02\%$ accuracy for use as a signal source such as a Millivolts source. • Thermocouple extension wire that corresponds with the type of thermocouple that will be used with the controller input. • Two insulated copper leads for connecting the thermocouple extension wire from the ice baths to the mV source. • Two containers of crushed ice.
Thermocouple Inputs (T/C Source)	<ul style="list-style-type: none"> • A calibrating device with $\pm 0.02\%$ accuracy for use as a signal source such as a millivolt source. • Thermocouple extension wire that corresponds with the type of thermocouple that will be used with controller input.
RTD (Resistance Thermometer Device)	<ul style="list-style-type: none"> • A decade box, with $\pm 0.02\%$ accuracy, capable of providing stepped resistance values over a minimum range of 0 ohms to 1400 ohms with a resolution of 0.1 ohm. • Three insulated copper leads of equal length for connecting the decade box to the controller.
Milliamperes, Millivolts, Volts, and Radiamatic	<ul style="list-style-type: none"> • A calibrating device with $\pm 0.02\%$ accuracy for use as a signal source. • Two insulated copper leads for connecting the calibrator to the controller. • Place current source at zero before switching ON. • Do not switch current sources OFF/ON while connected to the UDC2300 input.

NOTICE
 For Radiamatic inputs only, set Emissivity value to 1.0. See *Section 4.6 – Configuration Set Up* prompt INPUT1, function prompt EMISS.

6.4 Input 1 Set Up Wiring

Thermocouple Inputs Using an Ice Bath

Refer to Figure 6-2 and wire the controller according to the procedure given in Table 6-3. Make sure the jumper at S101 is in the #1 position (Figure 2-2).

Table 6-3 Set Up Wiring Procedure for Thermocouple Inputs Using an Ice Bath

Step	Action
1	Connect the copper leads to the calibrator.
2	Connect a length of thermocouple extension wire to the end of each copper lead and insert the junction points into the ice bath.
3	Connect the thermocouple extension wires to the terminals for Input #1. See Figure 6-2.

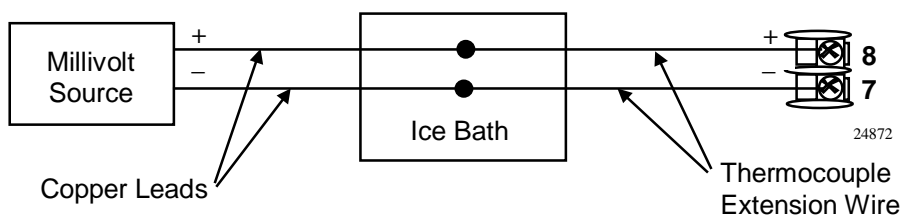


Figure 6-2 Wiring Connections for Thermocouple Inputs Using an Ice Bath

Thermocouple Inputs Using a Thermocouple Source

Refer to Figure 6-3 and wire the controller according to the procedure given in Table 6-4. Make sure the jumper at S101 is in the #1 position (Figure 2-2).

Table 6-4 Set Up Wiring Procedure for Thermocouple Inputs using Thermocouple Source

Step	Action
1	Connect the thermocouple extension wires to the terminals for Input #1 as shown in Figure 6-3.

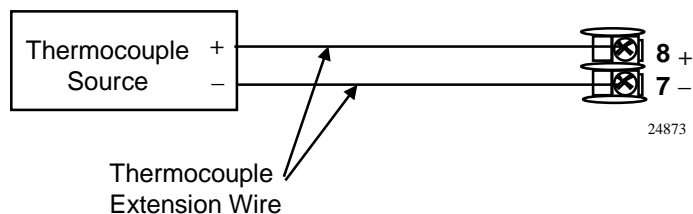


Figure 6-3 Wiring Connections for Thermocouple Inputs Using Thermocouple Source

RTD Inputs

Refer to Figure 6-4 and wire the controller according to the procedure given in Table 6-5. Make sure the jumper at S101 is in the #2 position (Figure 2-2).

Table 6-5 Set Up Wiring Procedure for RTD Inputs

Step	Action
1	Connect the copper leads from the calibrator to the Input #1 terminals as shown in Figure 6-4.
2	Place current source at zero before switching on.
3	Do not switch current sources ON/OFF while connected to the UDC2300 input.

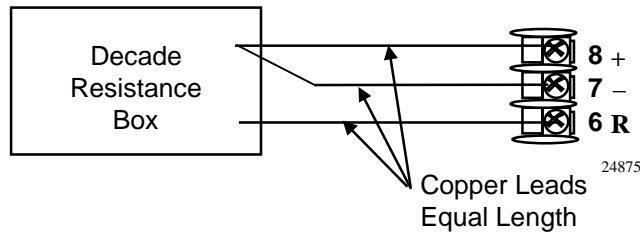


Figure 6-4 Wiring Connections for RTD (Resistance Thermometer Device)

Radiamatic, Millivolts, Milliampere, or Volts

Refer to Figure 6-5 and wire the controller according to the procedure given in Table 6-6. Make sure the jumper at S101 is in the #2 position for, mV, Volts, or the #4 position for mA (Figure 2-2).

Table 6-6 Set Up Wiring Procedure for Radiamatic, Milliampere, Millivolts, or Volts Inputs (Except 0-10 Volts)

Step	Action
1	Connect the copper leads from the calibrator to the Input #1 terminals as shown in Figure 6-5.
2	Place current source at zero before switching on.
3	Do not switch current sources ON/OFF while connected to the UDC2300 input.

NOTICE

For Radiamatic inputs only, set Emissivity value to 1.0. See *Section 4.6 – Configuration Set Up* prompt INPUT1, function prompt EMISS.

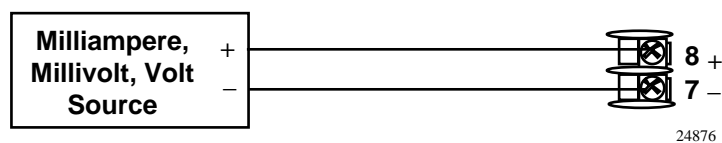


Figure 6-5 Wiring Connections for Radiamatic, Milliampere, Millivolts, or Volts (Except 0 to 10 Volts)

0 to 10 Volts

Refer to Figure 6-6 and wire the controller according to the procedure given in Table 6-7. Make sure the jumper at S101 is in parked position (Figure 2-2).

Table 6-7 Set Up Wiring Procedure for 0 to 10 Volts

Step	Action
1	Connect the copper leads from the calibrator to the Input #1 terminals as shown in Figure 6-6.
2	Place current source at zero before switching on.
3	Do not switch current sources ON/OFF while connected to the UDC2300 input.

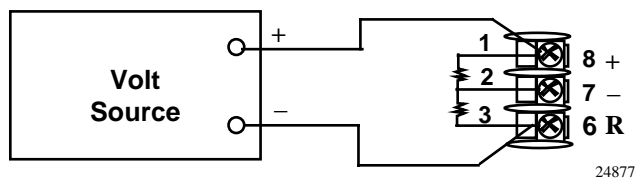


Figure 6-6 Wiring Connections for 0 to 10 Volts

6.5 Input 1 Calibration Procedure

Preliminary Steps

- Apply power and allow the controller to warm up for 30 minutes before you calibrate.
- Please read *Section 6.4 – Input 1 Set Up Wiring* before beginning the procedure.
- **Make sure you have LOCK set to NONE. See Section 4.5 - Limit Set Up Group.**
- See Table 6-1 for Voltage vs. Resistance equivalents or 0 % and 100 % range values.

CAUTION

For linear inputs, avoid step changes in inputs. Vary smoothly from initial value to final 100 % value.

Procedure

The calibration procedure for Input #1 is listed in Table 6-8.

Table 6-8 Input 1 Calibration Procedure

Step	Operation	Press	Result		
1	Enter Calibration Mode	<div style="border: 1px solid black; padding: 2px; display: inline-block;">SET UP</div> until you see <div style="border: 1px solid black; padding: 2px; display: inline-block;">FUNCTION</div>	Upper Display = CAL Lower Display = INPUT1 You will see: Upper Display = DIS Lower Display = CALIN1 <div style="border: 1px solid black; padding: 2px; display: inline-block; width: 20px; text-align: center;">▲</div> The calibration sequence is enabled and you will see: Upper Display = BEGN Lower Display = CALIN1 At the completion of the sequence, the selection automatically reverts to disable.		
2	Calibrate 0 %	<div style="border: 1px solid black; padding: 2px; display: inline-block;">FUNCTION</div>	You will see: Upper Display = APLY Lower Display = IN1ZRO <ul style="list-style-type: none"> • Adjust your calibration device to an output signal equal to the 0 % range value for your particular input sensor. See Table 6-1 for Voltage, Degrees, or Resistance equivalents for 0 % range values. • Wait 15 seconds, and then go to the next step. 		
3	Calibrate 100 %	<div style="border: 1px solid black; padding: 2px; display: inline-block;">FUNCTION</div>	You will see: Upper Display = APLY Lower Display = IN1SPN <ul style="list-style-type: none"> • Adjust your calibration device to an output signal equal to the 100 % range value for your particular input sensor. See Table 6-1 for Voltage, Degrees, or Resistance equivalents for 100 % range values. • Wait 15 seconds, and <table border="1" style="width: 100%; margin-top: 10px;"> <tr> <td style="width: 50%; padding: 5px;"> If ... you are calibrating a Thermocouple input you are calibrating other than a Thermocouple input </td> <td style="width: 50%; padding: 5px;"> Then ... go to step 4 go to step 5 </td> </tr> </table>	If ... you are calibrating a Thermocouple input you are calibrating other than a Thermocouple input	Then ... go to step 4 go to step 5
If ... you are calibrating a Thermocouple input you are calibrating other than a Thermocouple input	Then ... go to step 4 go to step 5				

Step	Operation	Press	Result
4	Check the Cold Junction Temperature	FUNCTION	<p>The calculations for zero and span are now stored and you will see:</p> <p><i>Upper Display</i> = The cold junction temperature at the rear terminals <i>Lower Display</i> = CJTEMP</p> <p>The value in the upper display is in tenths of a degree. It is the current reading of the temperature as measured at the thermocouple terminals and recognized by the controller. You can change this value, if it is in error, using the [▲] [▼] keys.</p> <div style="border: 1px solid black; padding: 5px; margin-top: 10px;"> <p>NOTICE</p> <p>The accuracy of the controller is directly affected by the accuracy of this value. Change this value only if the zero and span calibration procedures did not bring the controller within the specified accuracy requirements.</p> </div>
5	Exit the Calibration Mode	FUNCTION then DISPLAY	The controller stores the calibration constants and exits the calibration mode.

6.6 Restore Factory Calibration

Introduction

The factory calibration constants for all the input actuation types that can be used with the controller are stored in its nonvolatile memory. Thus, you can quickly restore the “Factory Calibration” for a given input actuation type by simply changing the actuation type to another type and then changing it back to the original type.

Refer to Table 6-9 Restore Factory Calibration for procedure.

NOTICE

A restored factory calibration overwrites any previous field calibration done for the input and may change the High and Low Range Limits. Be sure to protect any field calibration from accidental overwrites by configuring the appropriate LOCKOUT selection after calibration. See the *Section 4 - Configuration* for specific instructions to set the lockout.

Table 6-9 Restore Factory Calibration

Step	Operation	Press	Result
1	Set LOCKOUT to NONE	SET UP	until you see: <i>Upper Display</i> = SET UP <i>Lower Display</i> = LOCK
		FUNCTION	Until you see: <i>Upper Display</i> = one of the following: NONE – all parameters are read/write CAL - all parameters are read/write except Calibration CONF – configuration parameters are Read Only; no writes permitted +SP – Only the Lockout group is available for read/write. Setpoint value is Read Only. <i>Lower Display</i> = LOCK
		[▲] [▼]	Until NONE is in the upper display
2	Enter INPUT 1 Setup Group	SET UP	until you see: <i>Upper Display</i> = SET UP <i>Lower Display</i> = INPUT 1
		FUNCTION	until you see: <i>Upper Display</i> = the current selection <i>Lower Display</i> = IN1TYP
		[▲] [▼]	to change the current selection to another selection
3	Scroll through Functions	FUNCTION	until the lower display rolls through the rest of the functions and returns to <i>Upper Display</i> = the new selection <i>Lower Display</i> = IN1TYP
		[▲] [▼]	until you change the input selection in the upper display back to the proper selection. You will see: <i>Upper Display</i> = Original Input Selection that matches your type of sensor. <i>Lower Display</i> = IN1TYP
4	Return to Normal Operation	DISPLAY	to return to Normal operating mode. The factory calibration will be restored. If the problem is not corrected, contact the Honeywell Technical Assistance Center. 1-800-423-9883 USA and Canada

7 Troubleshooting/Service

7.1 Overview

Introduction

Instrument performance can be adversely affected by installation and application problems as well as by hardware problems. We recommend that you investigate the problems in the following order:

- installation related problems
- application related problems
- hardware and software related problems

and use the information presented in this section to solve them. If a replacement of any part is required, follow the procedures listed under “Parts Replacement Procedures.”

What’s in this section?

The following topics are covered in this section.

TOPIC		See Page
7.1	Overview	53
7.2	Troubleshooting Aids <ul style="list-style-type: none"> • Overall Error Messages • Controller Failure Symptoms • Customer Support • Determining the Software Version Number 	54
7.3	Power-up Tests	56
7.4	Status Tests	56
7.5	Background Tests	57
7.6	Controller Failure Symptoms	58
7.7	Troubleshooting Procedures <ul style="list-style-type: none"> • Power Failure • Alarm Relay Output Failure • Keyboard Failure 	59

Installation related problems

Read the Installation section in this manual to make sure the UDC2300 has been properly installed. The installation section provides information on protection against electrical noise, connecting external equipment to the controller, and shielding and routing external wiring.

NOTICE

System noise induced into the controller will result in diagnostic error messages recurring. If the diagnostic error messages can be cleared, it indicates a “soft” failure and is probably noise related.

If system noise is suspected, completely isolate the controller from all field wiring. Use calibration sources to simulate PV and check all controller functions.

Application related problems

Review the application of the controller; then, if necessary, direct your questions to the local sales office.

Hardware and software related problems

Use the troubleshooting error message prompts and controller failure symptoms to identify typical failures which may occur in the controller. Follow the troubleshooting procedures to correct them.

7.2 Troubleshooting Aids

Overall error messages

An error message can occur:

- at power-up, see Subsection 7.3
- when the Status Tests are requested. See Subsection 7.4
- during continuous background tests while in normal operation. See Subsection 7.5

Controller failure symptoms

Other failures may occur that deal with the Power, Output, or Alarms. Refer to the controller failure symptom in Table 7-4 to determine what is wrong and the troubleshooting procedures to use to correct the problem.

Check installation

If a set of symptoms still persists, refer to *Section 2 - Installation* and ensure proper installation and proper use of the controller in the system.

Customer support

If you cannot solve the problem using the troubleshooting procedures listed in this section, you can get **technical assistance** by dialing 1-800-423-9883 USA and Canada.

An engineer will discuss your problem with you. **Please have your complete model number, serial number, and Software version available.** The model and serial numbers can be found on the chassis nameplate. The software version can be viewed under Setup Group “Status.” See Table 7-1.

If it is determined that a hardware problem exists, a replacement controller or part will be shipped with instructions for returning the defective unit.

Do not return your controller without authorization from Honeywell’s Technical Assistance Center or until the replacement has been received.

For a list of frequently asked questions and their answers, dial Honeywell’s **Faxback** 24 hour Service:

1-888-423-9883 USA

Or check out Honeywell’s **web site** at <http://www.honeywell.com/sensing>.

Determining the software version

Table 7-1 lists the procedure for identifying the software version number.

Table 7-1 Procedure for Identifying the Software Version

Step	Operation	Press	Result
1	Select STATUS Set Up Group	SET UP	<i>Upper Display = READ</i> <i>Lower Display = STATUS</i>
2	Read the software version	FUNCTION	You will see: <i>Upper Display = Software version number</i> <i>Lower Display = A2xx Limit Controller</i> Please give this number to the Customer Support person. It will indicate which version of UDC2300 you have and help them determine a solution to your problem.

7.3 Power-up Tests

What happens at power-up

When the controller is powered-up, the UDC2300 software to ensure memory integrity runs three tests.

Test failures

If any of these three tests fail, TEST will appear momentarily in the upper display, and a message indicating which test failed will appear in the lower display. (see 7.4). Then “DONE” will appear in the lower display.

7.4 Status Tests

Introduction

When required, the results of these tests can be checked to determine the reason the controller has gone to Failsafe.

How to check the status tests

The procedure in Table 7-2 tells you how to display the results of the status tests.

Table 7-2 Procedure for Displaying the Status Test Results

Step	Operation	Press	Result
1	Select STATUS Set Up Group	SET UP	<i>Upper Display = READ</i> <i>Lower Display = STATUS</i>
2	Read the test results	FUNCTION	You will see: <i>Upper Display = NO or YES</i> YES indicates a failure <i>Lower Display = FAILSF</i>
		FUNCTION	<i>Upper Display = PASS or FAIL</i> <i>Lower Display = TEST</i>

7.5 Background Tests

Introduction

The UDC2300 performs ongoing background tests to verify data and memory integrity. If there is a malfunction, an error message will be displayed (blinking) in the lower display.

In the case of simultaneously malfunctions, the messages will appear in sequence in the lower display. Table 7-3 lists these background tests, the reason for their failure, and how to correct the problem.

Table 7-3 Background Tests

Lower Display	Reason for Failure	How to Correct the Problem
EEFAIL	Unable to write to non-volatile memory. Anytime you change a parameter and it is not accepted, you will see EE FAIL.	<ol style="list-style-type: none"> 1. Check the accuracy of the parameter and re-enter. 2. Try to change something in configuration. 3. Run through STATUS tests to re-write to EEPROM.
FAILSF	<p>This error message shows whenever the controller goes into a Failsafe mode of operation. This will happen if:</p> <ul style="list-style-type: none"> • RAM test failed • Configuration test failed • Calibration test failed • Burnout configured for none and the input failed. 	<ol style="list-style-type: none"> 1. Run through STATUS check to determine the reason for the failure. 2. Press the [SET UP] key until STATUS appears in the lower display. 3. Press the {FUNCTION} key to see whether the tests pass or fail, then run through the STATUS codes a second time to see if the error cleared.
IN1FL	<p>Two consecutive failures of input 1 integration; i.e., cannot make analog to digital conversion. This will happen if:</p> <ul style="list-style-type: none"> • Upscale or Downscale burnout is selected • Input not configured correctly 	<ol style="list-style-type: none"> 1. Make sure the actuation is configured correctly. See <i>Section 4 - Configuration</i>. 2. Make sure the input is correct. 3. Check for gross over-ranging. Check S101 jumper position. See Figure 2-2 Jumper Placements 4. Replace factory calibration. See <i>Section 6.6</i>.
CNFERR	<ul style="list-style-type: none"> • PV low limit is > PV high limit • SP low limit is > SP high limit • Output low limit > Output high limit 	<ol style="list-style-type: none"> 1. Check the configuration for each item and reconfigure if necessary.

Lower Display	Reason for Failure	How to Correct the Problem
IN1RNG	Input 1 out of range. The process input is outside the range limits.	<ol style="list-style-type: none"> 1. Make sure the range and actuation are configured properly. 2. Check the input source. 3. Restore the factory calibration. (See Subsection 6.6.) 4. Field calibrate. See Section 6- <i>Input Calibration</i>.
PV LIM	PV out of range. PV = INP1 + INP1 BIAS	<ol style="list-style-type: none"> 1. Make sure the input signal is correct. 2. Make sure the Bias settings are correct. 3. Recheck the calibration. Use Bias of 0.0

7.6 Controller Failure Symptoms

Introduction

In addition to the error message prompts, there are failure symptoms that can be identified by noting how the controller displays and indicators are reacting.

Symptoms

Compare your symptoms with those shown in Table 7-4.

Table 7-4 Controller Failure Symptoms

Upper Display	Lower Display	Indicators	Controller Output	Probable Cause	Trouble-shooting Procedure
Blank	Blank	Off	None	Power Failure	1
OK	Displayed Output disagrees with controller output	OK	Controller Output disagrees with displayed output	Relay Output	2
OK	OK	OK	External Alarm function does not operate properly	Malfunction in alarm output	3
Display does not function when a key is pressed				Keyboard Malfunction	4

Other symptoms



If a set of symptoms or prompts other than the one you started with appears while troubleshooting, re-evaluate the symptoms. This may lead to a different troubleshooting procedure.

If the symptom still persists, refer to the installation section in this manual to ensure proper installation and proper use of the controller in your system.

7.7 Troubleshooting Procedures

Introduction

The troubleshooting procedures are listed in numerical order as they appear in Table 7-4. Each procedure lists what to do if you have that particular failure and how to do it or where to find the data needed to accomplish the task.

WARNING—SHOCK HAZARD

TROUBLESHOOTING MAY REQUIRE ACCESS TO HAZARDOUS LIVE CIRCUITS, AND SHOULD ONLY BE PERFORMED BY QUALIFIED SERVICE PERSONNEL. MORE THAN ONE SWITCH MAY BE REQUIRED TO DE-ENERGIZE UNIT BEFORE SERVICING.

Failure to comply with these instructions could result in death or serious injury.

Equipment needed

You will need the following equipment in order to troubleshoot the symptoms listed in the tables that follow:

- Calibration sources – T/C, mV, Volt, etc.
- Voltmeter

Procedure #1

Table 7-5 explains how to troubleshoot power failure symptoms.

Table 7-5 Troubleshooting Power Failure Symptoms

Step	What to do	How to do it
1	Check the AC line voltage.	Use a voltmeter to measure the AC voltage across terminals L1 and L2 on the rear terminal panel of the controller. Check the earth ground connection.
2	Make sure the chassis plugs into the rear of the case properly.	Withdraw the chassis and visually inspect the controller board and the inside of the case.
3	Check the system for Brown-outs, heavy load switching, etc., and conformance to installation instructions.	Refer to <i>Section 2 - Installation</i> .
4	Change Main board.	Installation instructions supplied with new board.

Procedure #2

Table 7-6 explains how to troubleshoot Latching Output Relay failure.

Table 7-6 Troubleshooting Latching Output Relay Failure

Step	What to do	How to do it
1	Make sure all the configurable data stored in the controller is correct. Reconfigure, if necessary.	Refer to <i>Section 4 - Configuration</i> to check all this data and how to reconfigure.
2	Check that the Latching Relay actuates properly.	Move the setpoint above or below the PV value, depending on the type of Limit Control configured. Listen for the click of the relay as the setpoint is moved above or below the PV.
3	Check the Latching Relay jumper position (NO or NC).	Refer to <i>subsection 2.4 Limit Control and Alarm Relay Contact Information</i> for Relay Contact information.

Procedure #3

Table 7-7 explains how to troubleshoot Alarm Relay Output failure.

Table 7-7 Troubleshooting Alarm Relay Output Failure

Step	What to do	How to do it
1	Check the alarm configuration data. If it is correct, check the field wiring.	Reconfigure if necessary. Refer to <i>Section 4 - Configuration</i> for details.
2	Check that the applicable alarm relay actuates properly depending on what you have set at prompt AxSxTYPE. If it does, check the field wiring.	If the alarm type is set for PV, place the controller in manual mode. Vary the input to raise and lower the PV around the setpoint. Listen for a click from the relay as the PV moves in either direction and note that the proper ALM1 or ALM2 is lit. EXAMPLE: If the alarm is set for MAN, put the controller into manual mode. The alarm light is ON. Put the controller into automatic mode and the alarm light is OFF.
3	Check the contacts.	Make sure the NO or NC contact wiring is correct. Refer to <i>Section 2 - Installation</i> for relay jumper placement and relay contact information.
4	Change Main board.	Installation instructions supplied with new board.

Procedure #4

Table 7-8 explains how to troubleshoot a Keyboard failure.

Table 7-8 Troubleshooting a Keyboard Failure

Step	What to do	How to do it
1	Make sure the keyboard is connected properly.	Withdraw the chassis from the case and visually inspect the connection.
2	Controller Keyboard or specific keys may be LOCKED OUT via the security code.	Use your four-digit security code number to change the lockout level. Refer to <i>Section 4 – Configuration</i> .
		<p>NOTICE</p> <p>Using “1000” as a security code number will override the 4-digit code previously entered.</p>
3	Replace the display/keyboard if any keys are not functioning.	Installation instructions supplied with new display/keyboard.

8 Parts List

8.1 Exploded View

Introduction

Figure 8-1 is an exploded view of the UDC2300 Limit Controller. Each part is labeled with a key number. The part numbers are listed by key number in Table 8-1. Parts not shown are listed in Table 8-2.

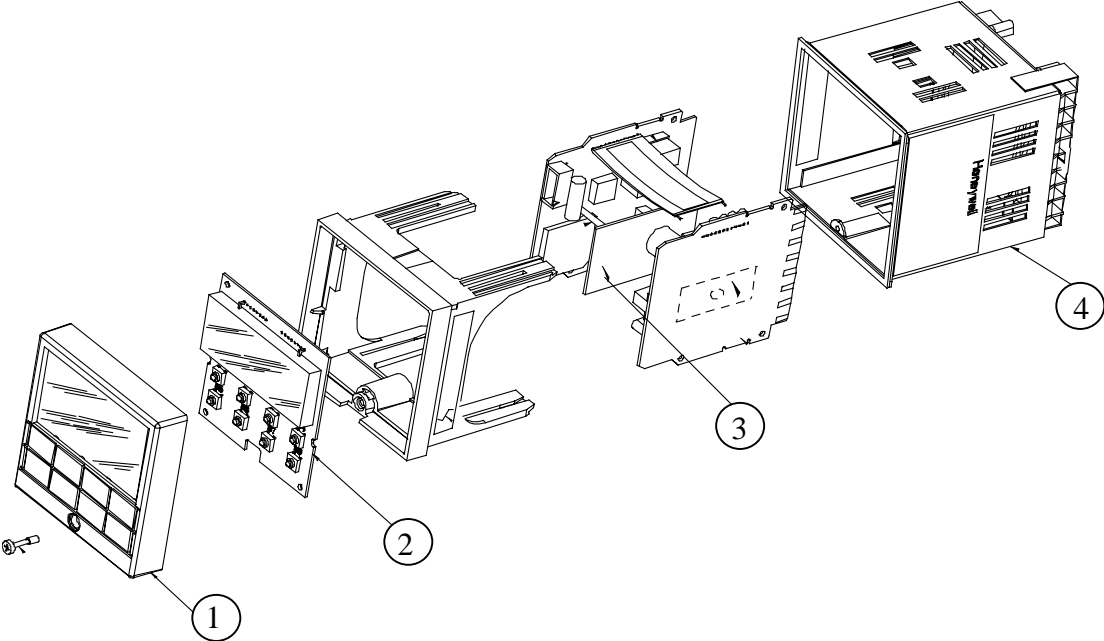


Figure 8-1 UDC2300 Exploded View

Table 8-1 Parts Identification

Key Number	Part Number	Description
1	30756667-503	Bezel Assembly (Gray)
2	51309766-501	Display/Keyboard
3	51309782-501	Auxiliary Output/Digital Input PWA
	51309831-501	RS-422/485 Communications PWA
4	51404896-501	Case Assembly (includes 30755050-001 Mounting Kit)

Table 8-2 Parts Not Shown

Part Number	Description
30755223-003	DIN Adapter (Gray)
30756683-001	NEMA 3 Gasket (Panel to Case)
30755050-001	Mounting Kit
30757215-001	NEMA 4 Adapter Kit
30756679-501	Open Collector Output
30756764-002	Rear Terminal Cover Kit
30756018-001	SS Relay 10 Amp (external)
30756725-501	SS Relay 1 Amp (internal)
30754465-501	0-10 Volt Input resistor assembly (100K pair)
30754142-003	Terminal Strip Assembly
30755306-501	Electro-mechanical Relay (5 Amp)

9 Index

A

Accuracy, 4
 Alarm 2Relay Action, 6
 Alarm Blocking, 32
 Alarm Hysteresis, 32
 Alarm Output Connections, 15
 Alarm Relay Contact Information, 8
 Alarm Relay Output failure, 61
 alarm setpoints, 42
 Alarm Setpoints, 42
 Alarms Set Up Group, 31
 Alarmx Setpoint x State, 31
 Alarmx Setpointx Type, 31
 Alarmx Setpointx Value, 31
 Annunciators, 38
 Application related problems, 54
 Auxiliary Output, 28
 Auxiliary Output High Scaling Factor, 28
 Auxiliary Output Low Scaling Factor, 28

B

background tests, 57
 Baud Rate, 29
 Bias on Input 1, 27
 Burnout Protection, 27

C

Calibration Mode, 50, 52
 Calibration Steps, 44
 CE Conformity, 4
 CE Conformity (Europe), 2
 Cold Junction Temperature, 51
 Communications Override Units, 30
 Communications Set Up Group, 29
 Communications State, 29
 Composite Wiring Diagram, 12
 Configuration, 21
 Configuration Lockout, 24
 Configuration Procedure, 23
 Configuration Prompt Hierarchy, 22
 Configuration Record Sheet, 33
 Contact Input, 41
 Control/Alarm Circuit Wiring, 11
 Controller Failure Symptoms, 58
 Controller Grounding, 11
 Customer support, 55

D

Decimal Point Selection, 26
 Digital Input, 28
 Digital Input Option, 41
 Dimensions, 9
 Display Mode, 38
 displays and indicators, 36
 DOWNSCALE BURNOUT, 27

E

Electrical Considerations, 11
 Electrical Noise Precautions, 11
 Electromechanical Relay Output, 14
 Emissivity, 27
 EMISSIVITY, 27
 equipment you will need to calibrate, 46
 Error Messages, 39
 Exploded View, 63
 External Interface Option Connections, 16
 External Reset, 41
External Wiring, 11

F, G

Factory calibration, 51
 Field Wiring, 45
 Filter for Input 1, 27
 Function Prompts, 22

H

High and Low Limit Indication, 39
 High Limit Controller, 1
 HIGH SETPOINT LIMIT, 25

I

Initial Start-up, 19
 Input 1 Actuation Type, 26
 Input 1 Calibration Procedure, 49, 50
 Input 1 Connections, 13
 Input 1 High Range Value, 27
 Input 1 Low Range Value, 27
 Input 1 Set Up Group, 26
 Input 1 Set Up Wiring, 47
 Input 1 Wiring Terminals, 45
 Input Calibration, 43
 Input I Jumper Placement, 6
 Installation, 3

Installation related problems, 54
internal jumper (W101) for CONTROL, 6

J

Jumper for Input 1, 46
Jumper Placement, 7

K

Key error, 37
Key Error Message, 20
Key Functions, 20
Keyboard failure, 61

L

Latching Alarm for Output, 32
Limit Control and Alarm Relay Contact Information, 8
Limit Control Application Diagram, 17
Limit Control Relay Contact Information, 8
Limit Control relays, 8
Limit Controller Wiring, 17
Limit Set Up Group, 25
Local Loopback Test, 30
Lock Set Up Group, 24
lockout feature, 37
Lockout levels, 37
Low Limit Controller, 1
LOW SETPOINT LIMIT, 25

M

Mains Power Supply, 11, 13
Milliamperes, Millivolt, Volts, and Radiomatic, 46
Minimum and Maximum Range Values, 44
Model Number Interpretation, 5
Monitoring Your Limit Controller, 38
Mounting, 9
Mounting Method, 10
Mounting Procedure, 10

N

Normal Display, 25

O

Open Collector Relay Output, 15
Operating Limits, 4
Operating Principles, 40
Operating the Limit Controller, 35
Operating Your Limit Controller, 40
Operator Interface, 2, 20, 36
Options Set Up Group, 28

P, Q

Parity, 29
Parts Identification, 63
Parts List, 63
Permissible Wiring Bundling, 12
Physical Considerations, 9
power failure symptoms, 60
Power Line Frequency, 27
Power Up Logic, 25, 40
Powering Up, 19
Power-up Tests, 56
Pre-installation Information, 4
Preliminary Checks, 6

R

Range Values, 44
relay contacts, 42
Reset the Latching Relay, 41
Response Delay, 29
RTD (Resistance Thermometer Device), 46
RTD Inputs, 48

S

SECURITY CODE, 24, 36
Security Code Entry, 37
Set Up Group, 22
Shed Time, 29
Shock hazard warning, 59
software version number, 55
Solid State Relay Output, 14
SP High Limit, 25
SP Low Limit, 25
Specifications, 4
start up, 19
Station Address, 29
Status Tests, 56
Suppression Devices, 11

T

Temperature Units, 26
Test failures, 56
Test Failures, 19
Thermocouple Inputs (Ice Bath), 46
Thermocouple Inputs (T/C Source), 46
Thermocouple Inputs Using a Thermocouple Source,
47
Thermocouple Inputs Using an Ice Bath, 47
Time Proportional Output failure, 60
Timing out from lower display, 38
Transmitter Characterization, 26
Troubleshooting Aids, 54
troubleshooting procedures, 59
Troubleshooting/Service, 53
Type of Limit Controller, 25

U

UDC2300 Limit Controllers, 1
UPSCALE BURNOUT, 27

V

Viewing the operating parameters, 38
Voltage and Resistance Equivalents for 0% and 100%
Range Values, 44

W, X, Y, Z

WARNING—SHOCK HAZARD, 59
Wiring, 11
Wiring Bundling, 12
Wiring Connections for 0 to 10 Volts, 49
Wiring Connections for Radiomatic, Milliampere,
Millivolts, or Volts (Except 0 to 10 Volts), 49
Wiring Connections for RTD (Resistance
Thermometer Device), 48
Wiring Diagrams, 12

.



For at reducere risikoen for elektrisk stød og dermed forbundet personskade er det nødvendigt at følge sikkerhedsforskrifterne i følgende dokumentation.



Dette symbol advarer brugeren om en potentiel berøringsfare, såfremt der kan være adgang til den livsfarlige netspænding.



Klemme til beskyttelsesjord. Til tilslutning af ledning til forsyningssystemets jordforbindelse.

- * Såfremt udstyret anvendes på anden måde end den, producenten har angivet, kan det betyde en forringelse af udstyrets sikkerhed.
- * Udskift ikke nogen komponent (eller del), som leverandøren ikke specifikt har angivet er udskiftelig.
- * Al ledningsføring skal være i overensstemmelse med nationale standarder og skal udføres af autoriseret personale med behørig erfaring.
- * Jordklemmen skal tilsluttes inden andre ledninger (og skal afmonteres sidst).
- * Det er nødvendigt med en afbryder til strømforsyningen nær udstyret og i umiddelbar nærhed af operatøren.

UDSTYRETS MÆRKEVÆRDIER

Netspænding	90 til 264 V~
Frekvens	50/60 Hz
Nominal effekt	12VA

MILJØFORHOLD

Brug ikke instrumentet i nærheden af brandfarlige væsker eller dampe. Anvendelse af elektriske instrumenter i et sådant miljø udgør en sikkerhedsrisiko.

Temperatur	0 til 55° C
Fugtighed	5 til 90%

INSTALLATION AF UDSTYR

Styreenheden skal monteres i en plade eller et panel for at begrænse operatørens adgang til de bageste klemmer.



Noudata kaikkia näitä turvaohjeita vammoja aiheuttavien sähköiskujen välttämiseksi



Tämä merkki varoittaa käyttäjää sähköiskun vaarasta paikassa, missä voi koskettaa vaarallisia jännitteitä.



Suojaavan maadoitusjärjestelmän kytkinnapa maadoitetulle käyttövirralle.

- * Laitteeseen kuuluva suojaus voi heikentyä, jos sitä käytetään valmistajan osoittaman tavan vastaisesti
- * Älä korvaa mitään komponenttia (tai osaa), ellei jälleenmyyjä ole ilmoittanut sen korvauskelpoisuutta.
- * Kaikkien johdotusten on oltava paikallisten standardien mukaiset ja kokeneen, valtuutetun asentajan tekemät.
- * Maadoituspiste on kytkettävä ensimmäisenä ennen muita kytkentöjä (ja irrotettava viimeisenä).
- * Virtaverkossa tulee olla katkaisija lähellä laitetta.

LAITTEEN NIMELLISARVOT

Käyttöjännite	90 - 264 V~
Taajuus	50/60 Hz
Teho	12 W

KÄYTTÖOLOSUHTEET

Älä käytä laitetta tulenarkojen nesteiden tai kaasujen lähistöllä. Jokainen sähkölaite muodostaa vaaratekijän sellaisessa ympäristössä.

Lämpötila	0 - 55°C
Kosteus	5 % - 90 %

LAITTEEN ASENNUS

Säätötoiminnot on asennettava paneelille, jotta käyttäjällä olisi rajoitettu pääsy taustakytkentöihin.



Για να αποφυγετε τον χιυδυνο ηλεκτροπληξιας που μπορει να προχਾਲεσει τραυματ ιομο ατομων, αχολουθηοτε ολες πς οδηγιεσ υσφαλειας του φυλλαδιου.



Αυτο το συμβολο προειδοποιει το χρηστη για δυναοτοτητα χινδυνου ηλεκτροπληξι ας οτυν μπορει να υπορχει προσβαση σε επιχινδυνες τασεις.



Αχροδεχτις προστυτευτιχης γειωοης. Π ροσφερεται για συνδεοη του χαλωδιου τρο φοδοσιας.

*

Ευν ο εξοπλιςμοσ χρησιμooιειτυι χατα τροπο που δεν περιγραφεται υπο τον χατασχευαστη, η προστασια που προσφερεται απο το προιον μπορει να αλλοιωθει.

*

Μην αλλαφετε χανένα ανταλλαχτιχο (ή μέας) που δεν αναφέρεται χαθαρά ότι μποαεί να αν τιχατασταθει από τον προμηθευτή μας.

*

Ολες οι χαλωδιώσεις πρέτει να είναι ούμφνες με τιστοπιχές προδιαγραφεές χαι ναγίνονται απ ό ειδικευμέαο προσωτιχο.

*

Η γείωση πρέπει να συνδεθει παιν υτό οποιοοήποτε άλλο χαλώδιο (χαι να αποσυνδέεται τελε υταίο).

*

Ενας διαχοπίης στην χενταιχιή τροφοδοσία είναι απαααίτητος χοντά οτον εξοπλιςμό, εύχολη ς παόσβασης για τον / ειαιοτή.

ΧΑΡΑΚΤΗΡΙΣΤΙΚΑ ΕΞΟΠΛΙΣΜΟΥ

Τύοη τροφοδουίας 90/264 V~
Συχνότητα 50/60 Hz
Ιοχύς αεύματος 12 VA

ΣΥΝΘΗΚΕΣ ΠΕΡΙΒΑΛΛΟΝΤΟΣ

Μη βάζετε σε λειτουαγίνυ το όαγασία εύφλεχτων υγαών η ατμών. Λειτουαγία σε τέτοιο πεαιβ άλλον είναι επιχινδυνο για την ασφαλεία.

θεαμοχασία 0 έως 55°C
Υγαασία 5 έως 90 %

ΕΓΚΑΤΑΣΤΑΣΗ

Ο ελεγχτις πρέπει να συναμολογηθει σε πίναχα για να πεαριοαισθει η παόσβαση του χειαισ τή στους πίσω αχροδέχτες.



Teneinde het gevaar voor elektrische schokken die verwondingen kunnen veroorzaken te verminderen, alle instructies van deze documentatie navolgen.



Dit symbool waarschuwt de gebruiker voor een potentieel schokgevaar wanneer toegang bestaat tot onderdelen die onder gevaarlijke spanning staan.



Aansluitklem voor de beveiligingsbeaarding. Voorzien voor de verbinding van de geleider van het systeem voor beveiligingsbeaarding.

- * Wanneer de apparatuur op een manier wordt gebruikt die niet door de fabrikant is aanbevolen kan de beveiliging van de apparatuur haar doeltreffendheid verliezen.
- * Geen onderdelen vervangen die niet als vervangbaar zijn aangeduid door onze leverancier.
- * Alle bedrading dient conform te zijn aan lokale normen en te worden aangelegd door bevoegd ervaren personeel.
- * De beaarding dient vóór elke andere bedrading te worden aangesloten (en als laatste te worden ontkoppeld).
- * Een hoofdnetschakelaar is in de nabijheid van deze apparatuur vereist.

TECHNISCHE GEGEVENS

Voedingsspanning	90 tot 264 V~
Frequentie	50/60 Hz
Vermogen of stroomvermogen	12 VA

OMGEVING

Gebruik het apparaat niet bij brandbare vloeistoffen of dampen. Het gebruik van elektrische apparatuur in zo'n omgeving is gevaarlijk.

Omgevingstemperatuur	0 tot 55°C
Vochtigheidsgraad	5 % - 90%

INSTALLATIE VAN DE APPARATUUR

De controle-eenheid dient op een paneel te worden gemonteerd om toegang door de operateur tot de achter aansluitklemmen te verhinderen.

INSTRUÇÕES DE SEGURANÇA

PO2I-6060



Para reduzir o risco de choque eléctrico que pode causar danos físicos, siga todas as instruções de segurança contidas nesta documentação.



Este símbolo avisa o utilizador sobre um eventual perigo de choque quando são acessíveis voltagens sob tensão perigosas.



Terminal de terra de protecção. Fornecido para a conexão do condutor do sistema de alimentação de terra de protecção.

- * Se o equipamento for utilizado de uma forma não especificada pelo fabricante, a protecção normalmente facultada pode falhar.
- * Não se deve substituir qualquer componente (ou peça) que não seja explicitamente especificado como substituível pelo nosso revendedor.
- * Todos os fios devem estar em conformidade com as normas locais e instalados por profissionais autorizados.
- * O terminal de terra deve ser ligado antes de qualquer outro fio (e desligado em último lugar).
- * É necessário um interruptor na alimentação principal perto do equipamento.

ESPECIFICAÇÕES DO EQUIPAMENTO

Voltagem	90 - 264 V~
Frequência	50/60 Hz
Potência	12 VA

CONDIÇÕES DO MEIO AMBIENTE

Não colocar o equipamento em funcionamento na presença de líquidos ou vapores inflamáveis. A utilização de qualquer equipamento eléctrico num ambiente deste tipo comporta riscos de segurança.

Temperatura	0 a 55°C
Humidade	5 % a 90%

INSTALAÇÃO DO EQUIPAMENTO

O controlador deve ser montado num painel para limitar o acesso do operador aos terminais traseiros.



Följ noga handbokens samtliga säkerhetsföreskrifter för att undvika elstötar och åtföljande personskador.



Denna symbol varnar användaren för risk för elchock vid tillfällig åtkomst av spänningsförande del.



Skyddat jorduttag. Avsedd för anslutning av skyddande jordnätets ledare.

- * Om utrustningen används på ett sätt som ej förutsetts av tillverkaren kan säkerhetsskyddet visa sig vara otillräckligt.
- * Byt inte ut någon komponent (eller del) om denna inte klart angivits som utbytbar av tillverkaren.
- * All kabeldragning skall följa de lokala föreskrifterna och utföras av en kompetent och erfaren fackman.
- * Jorduttaget måste anslutas innan all annan kabeldragning (och kopplas från sist).
- * En nätströmbrytare skall finnas i närheten av utrustningen, inom bekvämt räckhåll för operatören.

UTRUSTNINGENS MÄRKDATA

Nätspänning	90 till 264 V~
Frekvens	50/60 Hz
Effekt eller märkström	12 VA

MILJÖVILLKOR

Använd inte utrustningen i närheten av lättantändliga vätskor eller ångor. Drift av elektriska instrument i en sådan omgivning är att leka med säkerheten.

Temperatur	0 till 55°C
Fuktighet	5 - 90 %

INSTALLERING AV UTRUSTNING

Kontrollern skall monteras i en panel för att minska operatörens åtkomst till de bakre terminalerna.

HONEYWELL SERVICE CENTERS

ARGENTINA

HONEYWELL S.A.I.C.
BELGRANO 1156
BUENOS AIRES
ARGENTINA
Tel. : 54 1 383 9290

BULGARIA

HONEYWELL EOOD
14, Iskarsko Chausse
POB 79
BG- 1592 Sofia
BULGARIA
Tel : 359-791512/ 794027/ 792198

GERMANY

HONEYWELL AG
Kaiserleistrasse 39
D-63067 OFFENBACH
GERMANY
Tel. : 49 69 80 640

ASIA PACIFIC

HONEYWELL ASIA PACIFIC Inc.
Room 3213-3225
Sun Kung Kai Centre
N° 30 Harbour Road
WANCHAI
HONG KONG
Tel. : 852 829 82 98

CANADA

HONEYWELL LIMITED
THE HONEYWELL CENTRE
529 Mc Nicoll Avenue
M2H 2C9 NORTH YORK,
ONTARIO
CANADA
Tel. : 416 502 5200

HUNGARY

HONEYWELL Kft
Gogol u 13
H-1133 BUDAPEST
HUNGARY
Tel. : 36 1 451 43 00

AUSTRALIA

HONEYWELL LIMITED
5 Thomas Holt Drive
North Ryde Sydney
NSW AUSTRALIA 2113
Tel. : 61 2 353 7000

CZECH REPUBLIC

HONEYWELL, Spol.s.r.o.
Budejovicka 1
140 21 Prague 4
Czech Republic
Tel. : 42 2 6112 3434

ICELAND

HONEYWELL
Hataekni .hf
Armuli 26
PO Box 8336
128 reykjavik
Iceland
Tel : 354 588 5000

AUSTRIA

HONEYWELL AUSTRIA G.m.b.H.
Handelskai 388
A1020 VIENNA
AUSTRIA
Tel. : 43 1 727 800

DENMARK

HONEYWELL A/S
Automatikvej 1
DK 2860 Soeborg
DENMARK
Tel. : 45 39 55 56 58

ITALY

HONEYWELL S.p.A.
Via P. Gobetti, 2/b
20063 Cernusco Sul Naviglio
ITALY
Tel. : 39 02 92146 1

BELGIUM

HONEYWELL S.A.
3 Avenue de Bourget
B-1140 BRUSSELS
BELGIUM
Tel. : 32 2 728 27 11

FINLAND

HONEYWELL OY
Ruukintie 8
FIN-02320 ESPOO 32
FINLAND
Tel. : 358 0 3480101

MEXICO

HONEYWELL S.A. DE CV
AV. CONSTITUYENTES 900
COL. LOMAS ALTAS
11950 MEXICO CITY
MEXICO
Tel : 52 5 259 1966

BRAZIL

HONEYWELL DO BRAZIL AND CIA
Rua Jose Alves Da Chunha
Lima 172
BUTANTA
05360.050 SAO PAULO SP
BRAZIL
Tel. : 55 11 819 3755

FRANCE

HONEYWELL S.A.
Bâtiment « le Mercury »
Parc Technologique de St Aubin
Route de l'Orme (CD 128)
91190 SAINT-AUBIN
FRANCE
Tel. from France: 01 60 19 80 00
From other countries: 33 1 60 19 80 00

THE NETHERLANDS

HONEYWELL BV
Laaderhoogtweg 18
1101 EA AMSTERDAM ZO
THE NETHERLANDS
Tel : 31 20 56 56 911

HONEYWELL SERVICE CENTERS

NORWAY

HONEYWELL A/S
Askerveien 61
PO Box 263
N-1371 ASKER
NORWAY
Tel. : 47 66 76 20 00

POLAND

HONEYWELL Sp.z.o.o
Ul Domainewska 41
02-672 WARSAW
POLAND
Tel. : 48 22 606 09 00

PORTUGAL

HONEYWELL PORTUGAL LDA
Edificio Suecia II
Av. do Forte nr 3 - Piso 3
2795 CARNAXIDE
PORTUGAL
Tel. : 351 1 424 50 00

REPUBLIC OF IRELAND

HONEYWELL
Unit 1
Robinhood Business Park
Robinhood Road
DUBLIN 22
Republic of Ireland
Tel. : 353 1 4565944

REP. OF SINGAPORE

HONEYWELL PTE LTD
BLOCK 750E CHAI CHEE ROAD
06-01 CHAI CHEE IND. PARK
1646 SINGAPORE
REP. OF SINGAPORE
Tel. : 65 2490 100

REPUBLIC OF SOUTH AFRICA

HONEYWELL
Southern Africa
PO BOX 138
Milnerton 7435
REPUBLIC OF SOUTH AFRICA
Tel. : 27 11 805 12 01

ROMANIA

HONEYWELL Office
Bucharest
147 Aurel Vlaicu Str., Sc.Z.,
Apt 61/62
R-72921 Bucharest
ROMANIA
Tel : 40-1 211 00 76/ 211 79 43

RUSSIA

HONEYWELL INC
4th Floor Administrative
Building of AO "Luzhniki"
Management
24 Luzhniki
119048 Moscow
RUSSIA
Tel : 7 095 796 98 00/01

SLOVAKIA

HONEYWELL Ltd
Mlynske nivy 73
PO Box 75
820 07 BRATISLAVA 27
SLOVAKIA
Tel. : 421 7 52 47 400/425

SPAIN

HONEYWELL S.A
Factory
Josefa Valcarcel, 24
28027 MADRID
SPAIN
Tel. : 34 91 31 3 61 00

SWEDEN

HONEYWELL A.B.
S-127 86 Skarholmen
STOCKHOLM
SWEDEN
Tel. : 46 8 775 55 00

SWITZERLAND

HONEYWELL A.G.
Hertistrasse 2
8304 WALLISELLEN
SWITZERLAND
Tel. : 41 1 831 02 71

TURKEY

HONEYWELL Otomasyon ve
Kontrol
Sistemlen San ve Tic A.S.
(Honeywell Turkey A.S.)
Emirhan Cad No 144
Barbaros Plaza C. Blok Kat 18
Dikilitas 80700 Istanbul
TURKEY
Tel : 90-212 258 18 30

UNITED KINGDOM

HONEYWELL
Unit 1,2 &4 Zodiac House
Calleva Park
Aldermaston
Berkshire RG7 8HW
UNITED KINGDOM
Tel : 44 11 89 81 95 11

U.S.A.

HONEYWELL INC.
INDUSTRIAL CONTROLS DIV.
1100 VIRGINIA DRIVE
PA 19034-3260 FT. WASHINGTON
U.S.A.
Tel. : 215 641 3000

VENEZUELA

HONEYWELL CA
APARTADO 61314
1060 CARACAS
VENEZUELA
Tel. : 58 2 239 0211

Honeywell

Sensing and Control
Honeywell
11 West Spring Street
Freeport, IL 61032