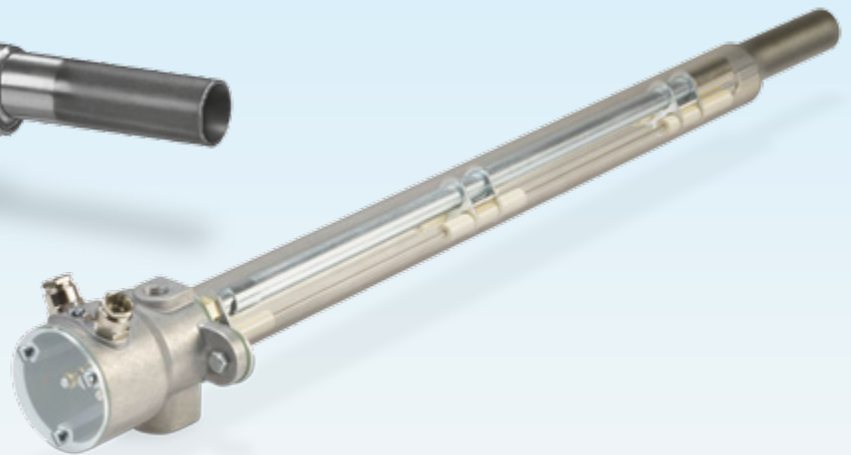
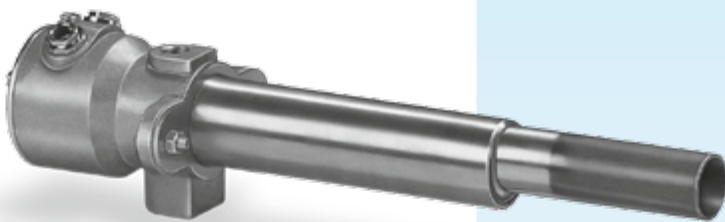


Pilot burner ZKIH

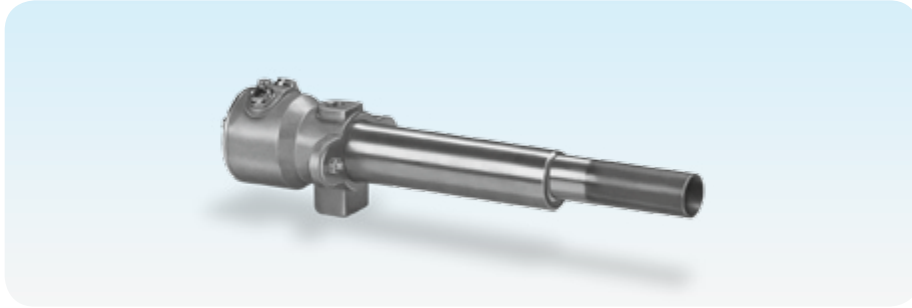
Product brochure · GB

7 Edition 09.12



- Robust design for a long service life
- Diverse possible applications thanks to splash-proof connection housing
- Pilot burner with forced air supply
- Simple conversion of gas types from natural gas to LPG or town gas
- Reliable electrical ignition thanks to ignition electrode
- Safe flame control thanks to ionization electrode
- Saves space due to compact design
- Different lengths make it suitable for many installation situations

Application



Pilot burner ZKIH with splash-proof connection housing

For use as a pilot burner for safe ignition of main burners in industrial furnaces and firing systems in the iron and steel industries in the precious, non-ferrous and light metal sector, as well as in the plastics, fibre and paper industries. Can also be used as an independently operated burner for applications requiring a burner capacity of 2 to 7 kW (for natural gas max. 5 kW).

The pilot burner is available in different lengths. It has a splash-proof housing. On delivery, the burner is equipped for operation with natural gas. It can easily be converted for operation with LPG or town gas.

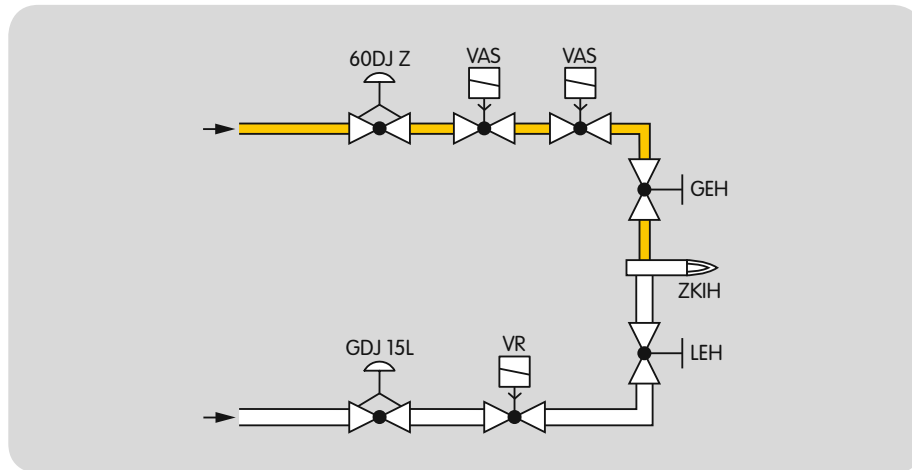
Burner ZKIHB is used for the ignition of high-speed burners.



Flame of the ZKIH during natural gas operation in the open air

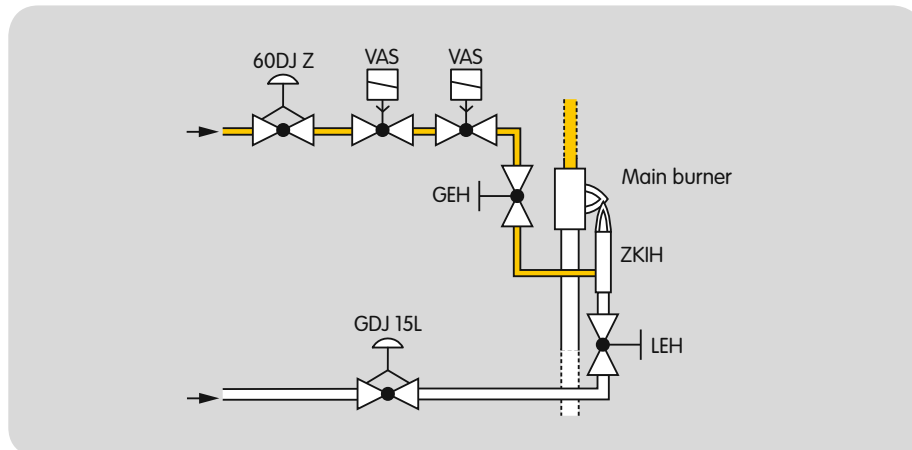
Examples of application

On/Off control



The gas/air mixture is set using the gas adjusting cock GEH and the air adjusting cock LEH. For a constant mixture of gas and air (lambda), one pressure regulator per burner is used in the gas and air circuits.

Igniting a main burner



Install the pilot burner so that reliable ignition of the main burner is guaranteed.

Type code

Code	Description
ZKIH ZKIHB	Pilot burner with forced air supply For ignition of high-speed burners
150 – 930	Protective tube length ¹⁾ [mm] 150 to 930
/100	Flame tube length [mm] 100
R	Rp internal thread

¹⁾ Longer lengths on request.

Technical data

Burner	Capacity	
	kW	1000 BTU/h
ZKIH with natural gas	2 – 7 max. 5	7.6 – 26 max. 17

Gas types: natural gas, LPG (gaseous) and coke oven gas.

Gas inlet pressure: 5 to approx. 50 mbar
(2 to approx. 20 "WC),
air inlet pressure: 5 to approx. 30 mbar
(2 to approx. 12 "WC),
each depending on the gas type
(burner pressures – see www.docuthek.com,
Kind of document:

Operating characteristic diagram).

On delivery: natural gas setting (gas and
air pressures: 20 mbar (8 "WC)).

For cold air only.

Flame control: with ionization electrode.

Ignition: direct spark ignition (5 kV ignition
transformer).

Housing: aluminium.

Protective tube: stainless steel.

Flame tube: heat-resistant steel.

Max. temperature at the tip of the flame tube:
< 1000°C (< 1832°F),
< 900°C (< 1652°F) for $\lambda < 1$.

Max. temperature of the protective tube:
500°C (932°F).

Gas and air pressures:
see burner diagram at www.docuthek.com,
Kind of document:

Operating characteristic diagram.

Flame length at rated capacity: approx.
25 cm (9.8").

Control: On/Off.

Maintenance cycles

Twice per year, but if the media are highly
contaminated, this interval should be re-
duced.



Detailed information on this product



http://docuthek.kromschroeder.com/doclib/main.php?language=1&folderid=207030&by_class=6

Contact

www.kromschroeder.com → Sales

Elster GmbH
Postfach 2809 · 49018 Osnabrück
Strothweg 1 · 49504 Lotte (Büren)
Germany
T +49 541 1214-0
F +49 541 1214-370
info@kromschroeder.com
www.kromschroeder.com

We reserve the right to make technical modifications
in the interests of progress.
Copyright © 2013 Elster GmbH
All rights reserved.