

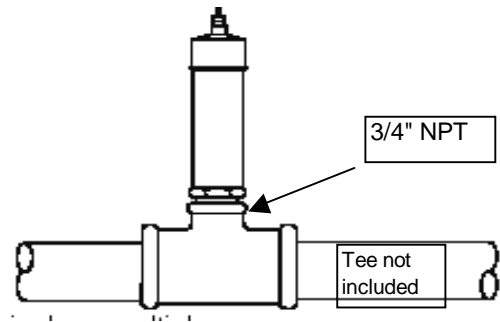
## Series 7758 Meridian<sup>®</sup> pH ORP Electrode Pipe Line Bushing Mounting

## Model Selection Guide with Price Data

Model Selection Guide  
51-52-16-29 Issue 16

Honeywell Proprietary

- Ideal for use in pipes containing heavy slurries
- Mounts in pipeline or larger pipe with adapter bushings
- Can be tapped directly into pipe
- Can be "side-mounted" in tanks
- 3/4" bushing on wet end; does not include Tee
- See Product Spec 70-82-03-04 for further detail



### Instructions

- Select the desired key number. The arrow to the right marks the selection available.
- Make one selection per table, using the column below the proper arrow. A dot denotes unrestricted availability. A letter denotes restricted availability. Restrictions follow Table V.

List Price equals the sum of all prices for all selections made.

Key Number	I	II	III	IV	V
-----	-----	-----	-----	-----	-----

### KEY NUMBER

Description	Selection	Availability
7758 Electrode Mounting	07758	↓

TABLE I - Preamp Selection (depends on analyzer or transmitter used)

Instrument Used	Preamp	Selection	Availability
9782-02 Analyzer, 7082-3_, -71 Analyzer, APT2000 Transmitter or APT4000 Analyzer	NONE - housing only, Glass/ORP electrode less than 10 ft. (3,05 m) from instrument (preamp internal to instruments)	03	c
9782-01 Analyzer, 7082-1_, -2_, -7_	31028698 glass/ORP electrode preamp module	05	c

**TABLE II - Bushing Housing Material, Electrode Type, Quantity Selection**

Housing Material	Electrode Type	Quantity	Selection	
316 Stainless Steel	Combination glass pH/ORP (Note 1)	Two	01	e
	Separate glass pH measuring, reference and ATC	Three	02	g
	Combination glass pH or ORP	One	03	p
	Glass pH electrode in low volume flow chamber for high purity water	One	08	f
Polypropylene	Combination glass pH/ORP (Note 1)	Two	04	e
	Separate glass pH measuring, reference and ATC	Three	05	g
	Combination glass pH or ORP electrode	One	06	p


**TABLE III - ELECTRODE OPTIONS - (Select Combination Type or Separate Measuring/Reference Electrode)**

**Combination Electrodes:**

Electrode Type	Leads	Temp. Range	Part Number		
Meredian - pH	Screw cap, w/6" spade lug (Note 3)	10 to 100°C	31117486	40	•
Meredian - ORP (gold) - (Note 4)	12 ft. (3,66 meter) Tinned	-5 to 100°C	31020749	60	•
Meredian - ORP Platinum - (Note 4)	12 ft. (3,66 meter) Tinned	-5 to 130°C	31020751	70	•
Meredian - pH (with ATC)	12 ft. (3,66 meter) Tinned, coax plus conductors	10 to 80°C	31050381	30	•


**Separate Measuring/Reference Electrodes:**

Reference Electrode	Electrode Type	Leads	Temp. Range	Measuring Electrode P/N		
Gel Filled/Ryton Body (P/N 31117482)	Meredian-pH	Screw Cap (Note 2)	-5 to 40°C	31117389	21	•
		Screw Cap (Note 2)	10 to 80°C	31117390	22	•
		Screw Cap (Note 2)	40 to 110°C	31117391	23	•
Gel Filled/Double Junction - (Note 5) (P/N 31035833)	Meredian-pH	Screw Cap (Note 2)	-5 to 40°C	31117389	41	•
		Screw Cap (Note 2)	10 to 80°C	31117390	42	•
		Screw Cap (Note 2)	40 to 110°C	31117391	43	•


**TABLE IV - Automatic Temperature Compensators**

Material	Part Number		
None		0	
Ryton (8550 ohms, 9782, 7082, APT2000, 7084)	31022290	6	m
Stainless Steel (8550 ohms, 9782, 7082, APT2000, 7084)	31079199	8	n


**TABLE V - OPTIONS**

		<b>Selection</b>		
Tagging	Linen Customer I.D. Tag - (limit to 3 lines, 22 spaces per line)	L	•	
	Stainless Steel Customer I.D. Tag - (limit to 3 lines, 22 spaces per line)	S	•	
Certificate of Calibration	Yes	10	•	

**Note 1:** The ORP electrode is not included; it must be ordered separately (either 31117418 or 31117419)

**Note 2:** Includes 31040849 cable

**Note 3:** Includes 31198160 cable

**Note 4:** Gold is generally used in applications containing cyanide; platinum for all others

**Note 4:** Double junctions are used in applications where reference junction fouling can occur

**RESTRICTIONS**

<b>Restriction</b>		<b>Available Only With</b>		<b>Not Available With</b>
<b>Letter</b>	<b>Table</b>	<b>Selection</b>	<b>Table</b>	<b>Selection</b>
<b>c</b>	II	01, 03, 04, 05, 06, 08		
<b>e</b>	III	30, 40, 60, 70 (See Note 1)		
<b>f</b>	III	40		
<b>g</b>	III	21, 22, 23, 41, 42, 43		
<b>m</b>	I	02, 03, 05, 06 (Microprocessor instruments only)		
<b>n</b>	II	08		
<b>p</b>	III	30, 40, 60, 70		

## Series 7758

## Accessories and Replacement Parts

**Note:** For replacement electrodes see Replacement Electrodes Price List, Page RE-1& 2.

Description	Part Number
Directions - Durafet I & Meredian	70-82-25-39
Directions - Durafet II	70-82-25-91
pH Buffer Solutions	
4.01	31103001
6.86	31103002
9.18	31103003
Cable - 12' (3,66 meter) for standard pH measuring electrodes	31040849
Cable - 12' (3,66 meter) for Meredian electrodes	31198160
Polypropylene mounting bushing.	31008439
Stainless steel mounting bushing.	31367013
Cable -6 conductor for connection between preamp and instrument (Table I = 01, 04, 05)	834088