

10260A Series Non Contact Sensor Replacement Instructions 51404926-501

Document Number

Form: 62-86-33-06

Effective: 5-27-99

Supersedes: None

Summary

This kit contains a new non-contact sensor (NCS) card for your 10260A actuator.

Procedure

See Table 1 for procedure.

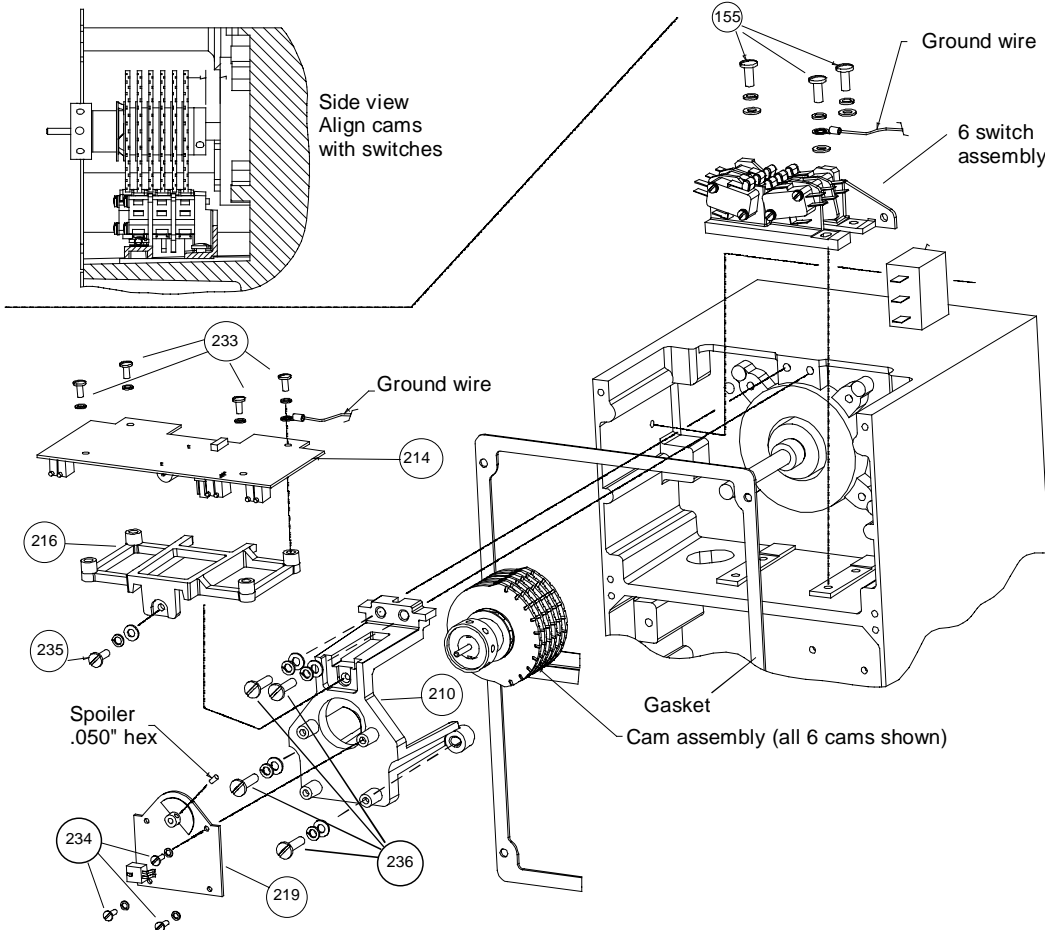
WARNING

Disconnect power before accessing components inside the instrument.

ATTENTION

When working with circuit cards always protect against electrostatic discharge by wearing a grounded wrist strap.

Table 1 10260A Non Contact Sensor Installation Procedure

Step	Action
1	Remove top rear cover.
2	<p>Remove NCS card:</p> <ul style="list-style-type: none"> • Disconnect wires from J1 on non-contact sensor card (Figure 1, item 219). • Remove 4 screws (Figure 1, item 234). Remove card.  <p style="text-align: center;">Figure 1 10260A exploded view</p>
3	<p>Install new NCS card:</p> <p>Attach new card with 4 screws. Reconnect wires to J1.</p>
4	<p>Calibrate non-contact sensor:</p> <p>See document 62-86-25-06, 10260A Series Actuators with Non-Contact Position Sensing Installation, Operation and Maintenance Manual. Refer to calibration section.</p>
5	Install new gasket and reattach covers.