

# numatics®

## Precision Regulators



[www.numatics.com](http://www.numatics.com)

**R89 Series**

**Application**

The Instrument Air Regulator is designed to provide clean, accurate air pressure to instruments, valves, and other automatic control equipment. It is used extensively to supply air to pneumatic controllers, transmitters, transducers, valve positioners, air cylinders, and a wide range of pneumatic control systems.

**Features**

- Stable output and repeatability
- Corrosion-resistant construction
- 5 micron depth filter
- Self-relieving
- Low droop at high flow levels
- Tight shut off

**Materials of Construction**

Body: die cast aluminum alloy, iridite, baked epoxy finish

Filter: 5 micron phenolic impregnated cellulose

Diaphragms: nitrile elastomer and nylon fabric

Valve Seat Plug: nitrile elastomer

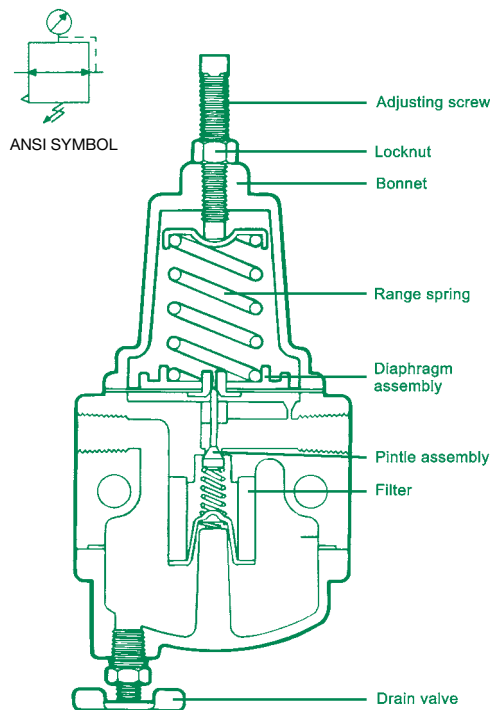
Additional Materials: brass, zinc, plated steel, acetal

**Mounting Bracket**

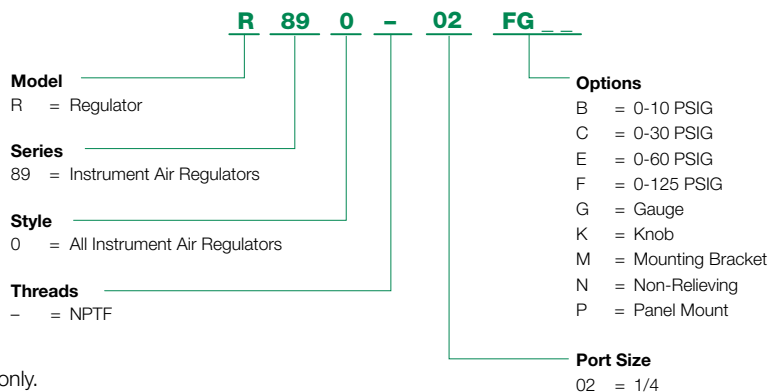
The mounting bracket for the R89 Series Instrument Air Regulator, part number PK89, is available and sold separately.

**Specifications**

	<b>Instrument Air Regulator R89 Series</b>
Port Size	1/4 NPT
Standard Output Pressure	0 - 120 PSIG (0 - 800 kPa)
Maximum Supply Pressure	250 PSIG (1700 kPa)
Mounting	pipe or integral mounting
Flow Capacity	see flow characteristics (next page)
Exhaust Capacity	.1 SCFM (.17 m3/hr) @ 5 PSIG (35 kPa) above set point
Sensitivity	1" (2.5 cm) of water
Air Consumption	less than 5 SCFH (.17 m3/hr)
Effect of Supply Pressure Variation:	less than .2 PSIG (1.4 kPa) @ 25 PSI (170 kPa) change
Weight	1.6 lbs (.74 kg)



**How To Order**

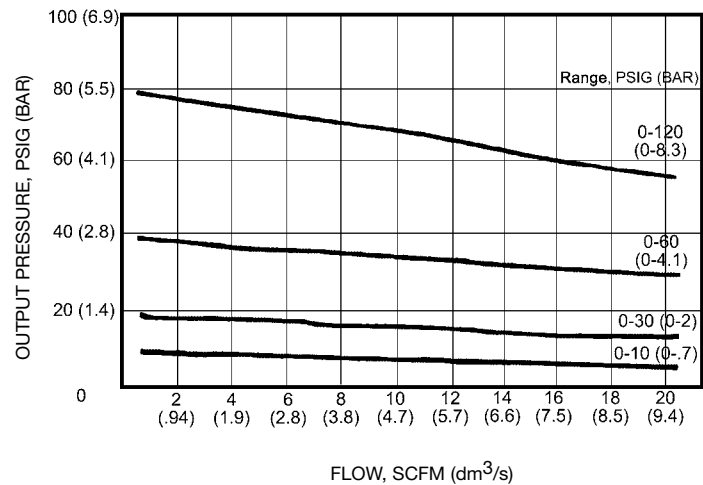


Note: R89 Series available in NPT only.

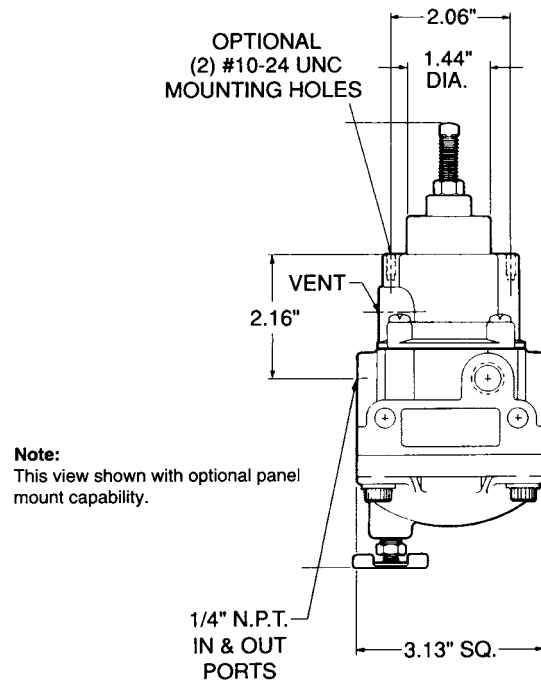
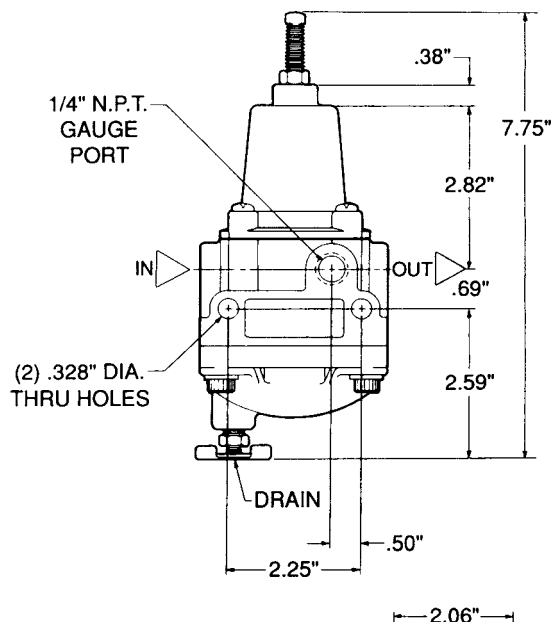
### Flow Ratings (based on 100 PSIG inlet)



R890-02B pictured



### Dimensions: Inches (mm)





World Class Supplier of Pneumatic Components



## World Headquarters

### **USA Numatics, Incorporated**

46280 Dylan Drive  
Novi, Michigan 48377

P: 248-596-3200  
F: 248-596-3201

### **Canada Numatics, Ltd**

P: 519-758-2700  
F: 519-758-5540

### **México - Ascomatica SA de CV**

P: 52 55 58 09 56 40 (DF y Area metropolitana)  
P: 01 800 000 ASCO (2726) (Interior de la República)  
F: 52 55 58 09 56 60

### **Brazil Ascoval Ind.e Comercio Ltda**

P: (55) 11-4208-1700  
F: (55) 11-4195-3970