

# Thermodynamic Disc Traps

**Models**  
**DT711**  
**DT71S**

## THERMODYNAMIC DISC TRAPS

The DT711 Series is a line of compact, lightweight, thermodynamic style disc traps designed to efficiently discharge condensate on applications with working pressures up to 711 psi. Available with or without an integral strainer.

- Single moving part
- Wide pressure range
- Rugged design
- Designed to fail open
- Unaffected by freezing
- Easy to check cyclic operation
- Unaffected by water hammer
- Designed for superheat
- NPT ends standard, BSP ends available



## ORDERING SCHEMATIC

MODEL				5	6	7	8
D	T	7	1				

MODEL				5	6	7	8
D	T	7	1				

5	BODY TYPE
1	Standard
S	with Integral Strainer

6	SIZE
1	3/8"
2	1/2"
3	3/4"
4	1"

7	CONNECTIONS
1	NPT (All)
2	FSW
8	BSPT
9	BSPP

8	SPECIALS
0	None



**BESTOBELLSTEAM**  
 A Division of  
 Richards Industries  
 3170 Wasson Road  
 Cincinnati, OH 45209

toll free. 800.543.7311  
 local. 513.533.5600  
 fax. 513.871.0105

steam@richardsind.com  
 www.bestobellsteamtraps.com

**THERMODYNAMIC DISC TRAPS**
**SPECIFICATIONS**

- Maximum Pressure Allowable: 711 PSI (49 bar)
- Maximum Operating Back Pressure: at the outlet should not exceed 70% of the inlet pressure
- Minimum Differential Pressure for Satisfactory Operation: 3.5 psi (0,24 bar)
- Maximum Temperature Allowable: 799°F (426°C)

**MATERIALS**

- Body: ASTM A743 Gr. CA 40
- Disc Cap: ASTM A743 Gr. CA 40
- Strainer Cap: ASTM A743 Gr. CA 40
- Screen: AISI 304
- Disc: AISI 410

**APPLICABLE CODES & STANDARDS**

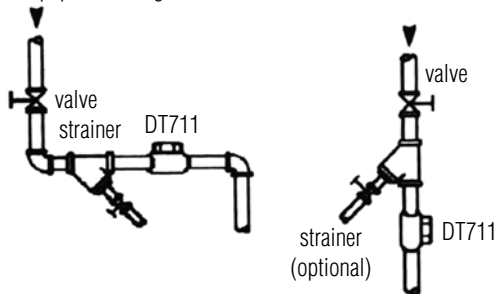
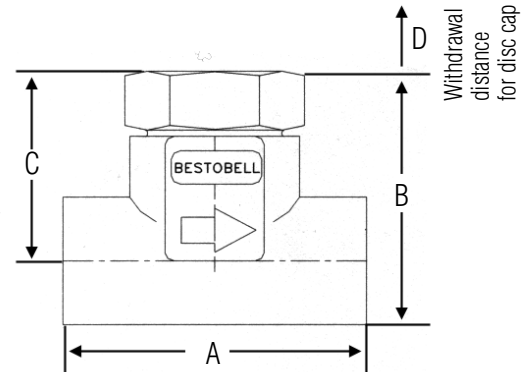
End connections per ANSI B1.20.1 for threaded

**SAMPLE SPECIFICATION**

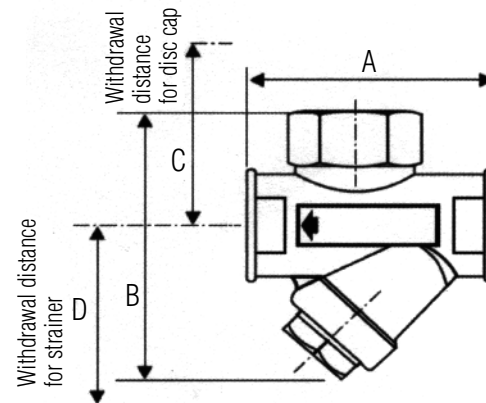
Steam traps shall be all stainless steel disc type with connections on a common center line, which will operate in any position, Integral seat design with hardened disc and seating surfaces.

**RECOMMENDED INSTALLATION**

From equipment being drained


**DIMENSIONS**


Size	A	B	C	D	Wt lb (kg)
3/8"	2.36 (60)	2.44 (62)	1.69 (43)	1.57 (40)	1.4 (0,7)
1/2"	2.56 (65)	2.44 (62)	1.69 (43)	1.57 (40)	1.7 (0,8)
3/4"	2.56 (65)	2.56 (65)	1.69 (43)	1.57 (40)	1.7 (0,8)
1"	3.35 (85)	2.87 (73)	1.97 (50)	1.77 (45)	3.5 (1,6)



Size	A	B	C	D	Wt lb (kg)
3/8"	3.15 (80)	4.02 (102)	3.19 (81)	3.54 (90)	2.2 (1,0)
1/2"	3.15 (80)	4.02 (102)	3.19 (81)	3.54 (90)	2.2 (1,0)
3/4"	3.15 (80)	4.02 (102)	3.19 (81)	3.54 (90)	2.2 (1,0)
1"	3.78 (96)	4.76 (121)	3.58 (91)	4.25 (108)	4.8 (2,2)

**CAPACITY CHART**

Size	Differential Pressure, PSI																	
	5	10	20	30	50	75	100	150	200	250	300	350	400	450	500	550	600	711
3/8"	392 (178)	408 (185)	439 (200)	469 (213)	529 (240)	603 (274)	675 (307)	813 (370)	944 (429)	1069 (486)	1186 (539)	1297 (589)	1400 (636)	1496 (680)	1586 (721)	1668 (758)	1744 (793)	1886 (857)
1/2"	392 (178)	408 (185)	439 (200)	469 (213)	529 (240)	603 (274)	675 (307)	813 (370)	944 (429)	1069 (486)	1186 (539)	1297 (589)	1400 (636)	1496 (680)	1586 (721)	1668 (758)	1744 (793)	1886 (857)
3/4"	392 (178)	408 (185)	439 (200)	469 (213)	529 (240)	603 (274)	675 (307)	813 (370)	944 (429)	1069 (486)	1186 (539)	1297 (589)	1400 (636)	1496 (680)	1586 (721)	1668 (758)	1744 (793)	1886 (857)
1"	716 (325)	739 (336)	783 (356)	826 (380)	912 (415)	1015 (461)	1111 (505)	1304 (593)	1478 (672)	1638 (744)	1783 (810)	1914 (870)	2030 (923)	2132 (969)	2219 (1009)	2292 (1042)	2350 (1068)	2427 (1103)

Capacities represent condensate in lbs/hr; kg/hr shown in ( ). 1 psi = 0.0689 bar