

Flexible Low Flow Valves for Changing Flow Requirements



Your Host

Chris Modrich
Vice President
Lesman Instrument Company
chrism@lesman.com



Featured Speaker

Jake Walroth
Low Flow Product Manager
LowFlow Valve | Richards Industries
jwalroth@richardsind.com



Follow the Conversation LIVE
[@Lesman_Inst](https://twitter.com/Lesman_Inst) [#LesmanWebinar](https://twitter.com/LesmanWebinar)



Control Valve Overview



- Pressure Range(Inlet): Up to 827 bar(12,000 psi)
- High Temperature: 550°C(1,022°F)
- Low Temperature: -245°C(-425°F)
- CV Range: 0.00001-17
- Line Sizes: ¼" , ½" , ¾" , 1" , 1 ½ " , 2"
- Pneumatic or Electric Actuation
- Manufactured in Cincinnati, OH(USA)

MK708 and MK8000 Series'

- Materials(Hard)
 - Stainless Steel is standard
 - Monel, Hastelloy B&C, Alloy 20, Zirconium, Inconel, Duplex, Carbon steel Superduplex, *Kynar, PVC, other exotics available*
- Materials(Soft)
 - EPDM, Viton, Buna, Teflon
- End Connections
 - Threaded(NPT), Socket Weld, Integral Tube Ends, Flanged, others
- Quick Ship Program

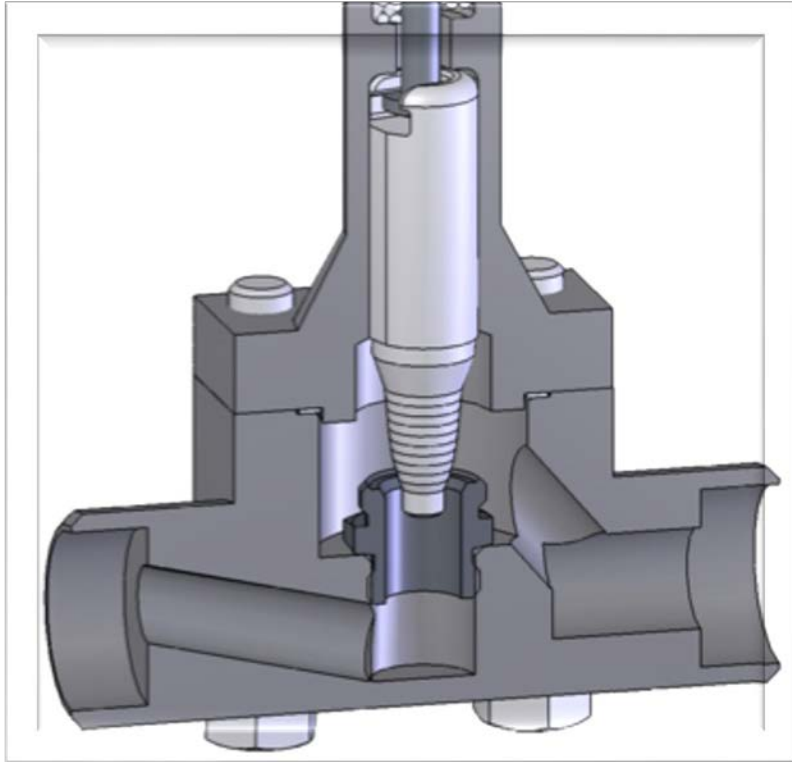


MK708 Control Valves

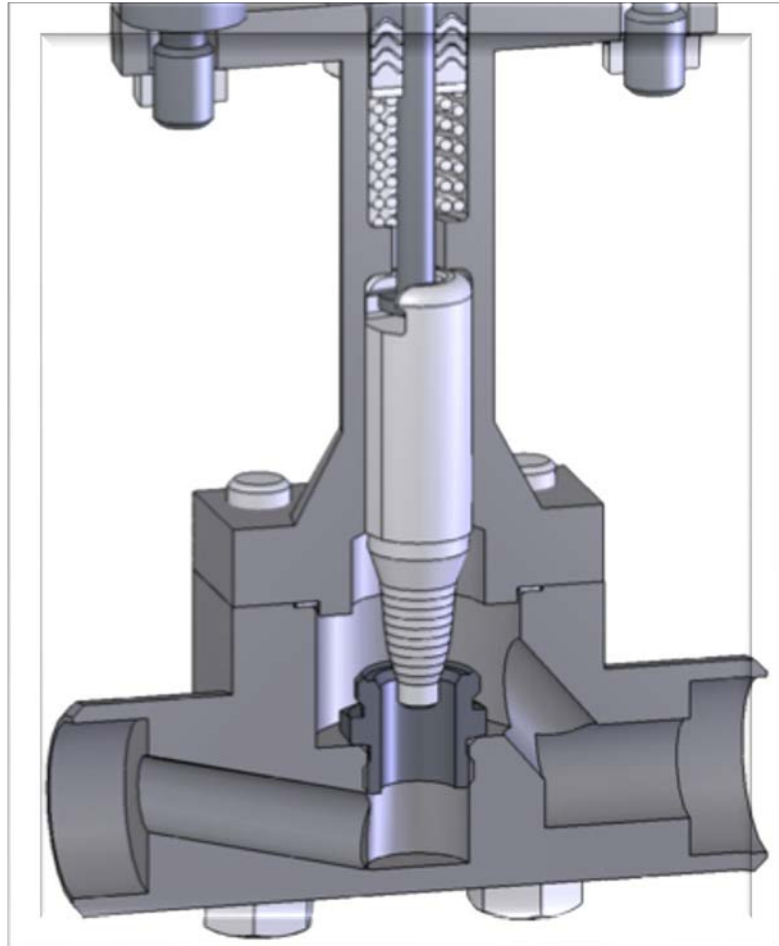
- ▶ CVs 0.00001-4.0
- ▶ Inlet Pressures up to 344 bar(5000psi)
- ▶ Line Sizes- ¼" , ½" , ¾"
- ▶ Top or Side Mount Positioners
- ▶ Pneumatic and Electric Actuation
- ▶ Applications
 - ▶ Chemical Injection
 - ▶ Wastewater/water injection
 - ▶ Research Stands
 - ▶ Pilot Plants



BOLTED BONNET

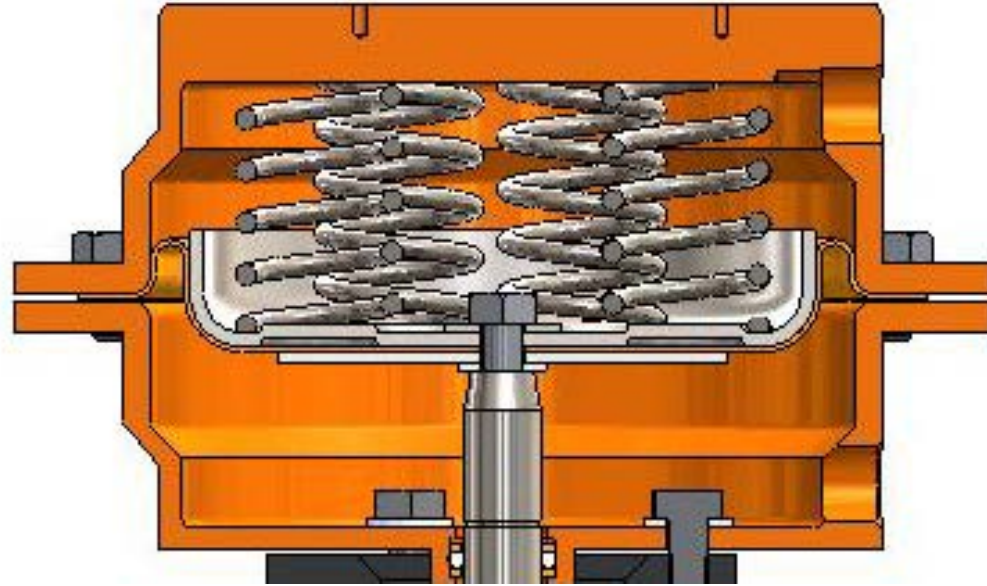


- Easier trim changes
- Ensures proper alignment
- Permits removal without disassembly of control signal connections on the actuator



QUICK CHANGE TRIM

- Available for CV's above 0.05
- Allows for repair work/trim changes while body stays in line
- Complete seat/plug removal and re-assembly in 5 minutes
- Selling point for engineers/maintenance

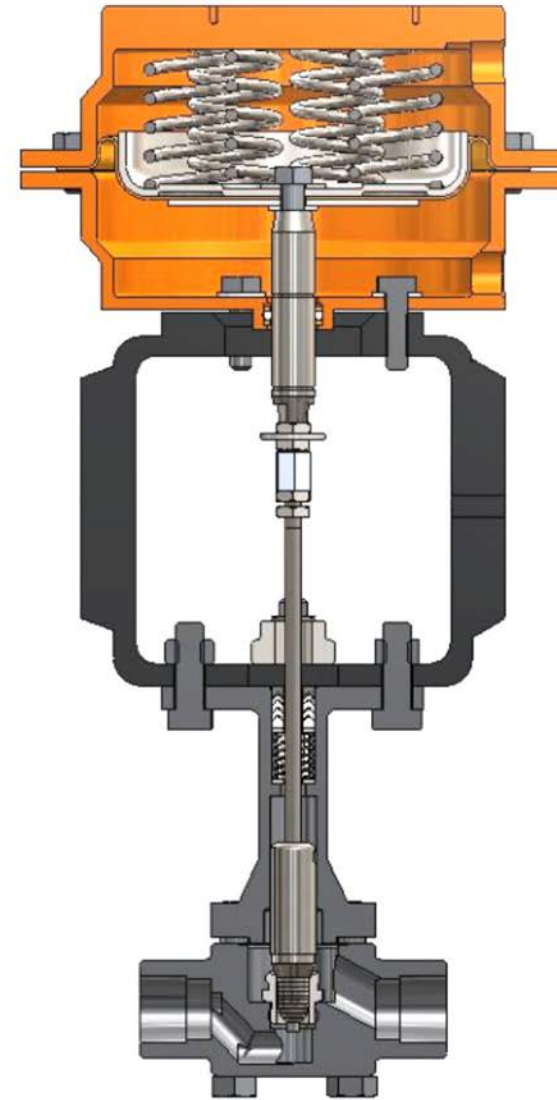


REVERSIBLE MULTI-SPRING ACTAUTOR

Action can be reversed without additional parts

ROLLING DIAPHRAGM

- Provides constant surface area throughout the entire valve stroke
- Delivers consistent, repeatable stem movement for changing input signals
- Stretched diaphragms surface area ebbs and flows



MK708 with a positioner

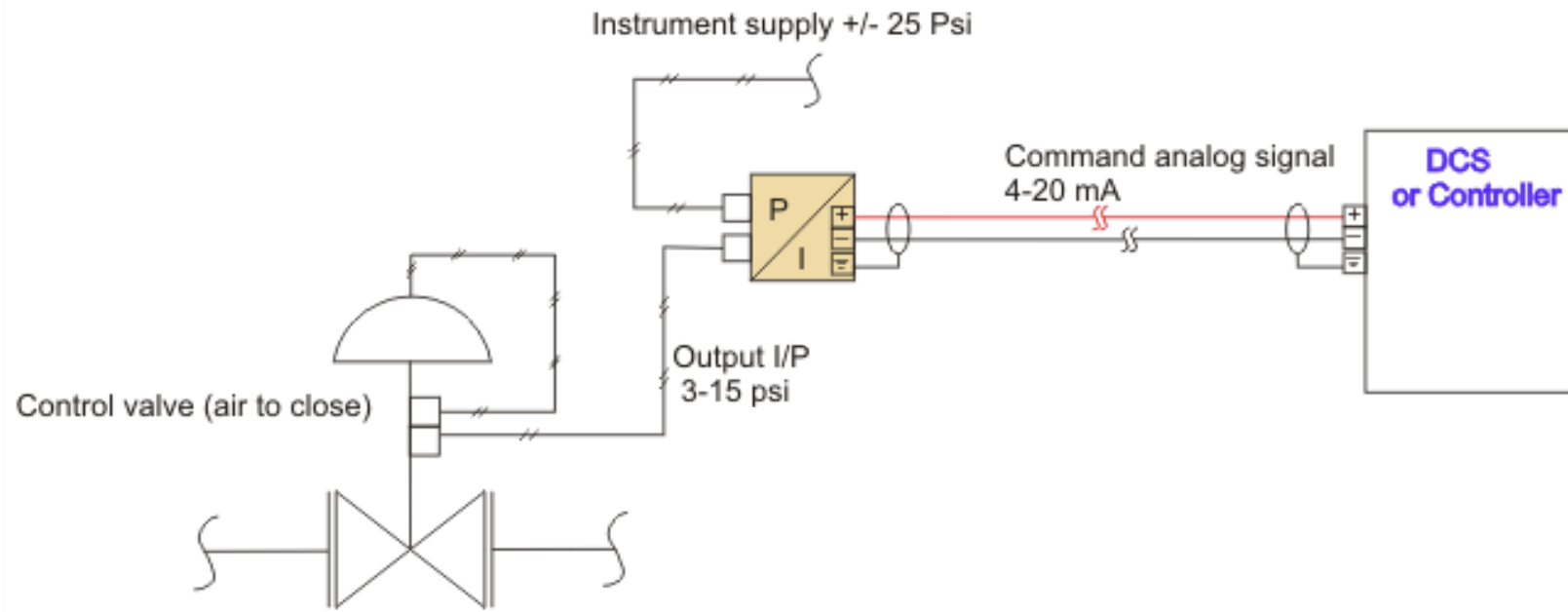
- ▶ When is a positioner necessary to use with our MK708?
- ▶ When is a positioner optional?
- ▶ What are the benefits of utilizing a side-mounted Siemens positioner like the one pictured to the right?





Drawbacks of using positioners

- ▶ \$\$\$\$\$\$
- ▶ Creates more potential for maintenance issues
- ▶ Space consideration
- ▶ Additional training required for personnel responsible



Using an I/P converter in place of a positioner

When does it make sense to utilize an I/P

- ▶ over a positioner?

DEMONSTRATION with our MK708 in the
lab

Q&A



Thank You!

The background features a series of overlapping, semi-transparent triangles in various shades of brown and orange, creating a dynamic, layered effect on the right side of the slide.

Get Social with Lesman



blog.lesman.com



www.linkedin.com/company/lesman-instrument-company



[@Lesman_Inst](https://twitter.com/Lesman_Inst)



www.youtube.com/user/LesmanInstrumentCo