

# Electronic / Display Module Replacement Kit

---

## Instruction Sheet for Smartline Wireless Transmitters

**Document No:** 34-SW-33-02  
**Effective Date:** 17<sup>th</sup> August 2018

---

**Summary** Enclosed is a replacement electronic/display module and WBSN label for your Smartline Wireless transmitter.

<u>Part No.</u>	<u>Qty.</u>	<u>Description</u>
50136119-501	1	Electronic Module Assembly



Take precautions against electrostatic discharge to prevent damaging the electronic/display module.



All local electrical codes, and relevant service and repair regulations must be observed.

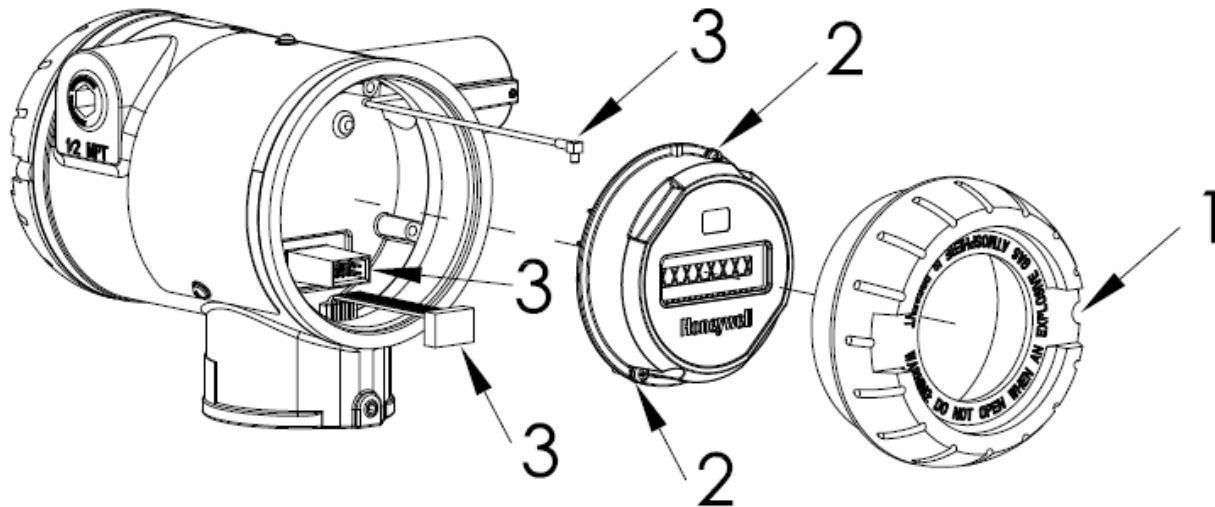


Risk of death or serious injury by explosion. Do not open transmitter enclosure when an explosive gas atmosphere is present.

### Tools required

Use this tool	For this item
#1 Phillips Screwdriver or 1/8" Slotted Screwdriver	M3 set screws for separating Electronic Module from Transmitter Housing
Torque Screwdriver	M3 set screws for Electronic Module installation
1.5 mm hex key	M3 set screw for end cap removal and installation

**Procedure** It is the User/Installer's responsibility to install the Smartline Wireless Transmitters in accordance with national and local code requirements.



**Figure 1 Electronic/Display Module Removal and Replacement**

**Step – 1:** Honeywell recommends that the transmitter be removed from service and moved to a clean area before servicing.

**Step – 2:** Loosen the M3 locking set screw on the display end-cap. See item 1 in Figure 1. Unscrew and remove the end cap.

**Step – 3:** Loosen the two screws on the electronic/display module. See items 2 in Figure 1.

**Step – 4:** Disconnect each connector on electronic/display module. See items 3 in Figure 1.

**Step – 5:** Install new electronic module. Be sure to orient electronic/display module in the proper viewing orientation before tightening two sensor compartment screws.

Reverse steps 1-4.

Torque screws to 0,4 – 0,6 N-M (3.5 – 5.3 Lb-in).

Honeywell recommends lubricating the end cap O-ring with a Silicone Grease such as Dow Corning #55 or equivalent before replacing the end cap.

**Step – 6:** Clean nameplate and affix WBSN label to it.

**Step – 7:** Return transmitter to service.

## Sales and Service

For application assistance, current specifications, pricing, or name of the nearest Authorized Distributor, contact one of the offices below.

### ASIA PACIFIC

Honeywell Process Solutions,  
Phone: + 800 12026455 or  
+44 (0) 1202645583  
(TAC) [hfs-tac-support@honeywell.com](mailto:hfs-tac-support@honeywell.com)

#### Australia

Honeywell Limited  
Phone: +(61) 7-3846 1255  
FAX: +(61) 7-3840 6481  
Toll Free 1300-36-39-36  
Toll Free Fax:  
1300-36-04-70

#### China – PRC - Shanghai

Honeywell China Inc.  
Phone: (86-21) 5257-4568  
Fax: (86-21) 6237-2826

#### Singapore

Honeywell Pte Ltd.  
Phone: +(65) 6580 3278  
Fax: +(65) 6445-3033

#### South Korea

Honeywell Korea Co Ltd  
Phone: +(822) 799 6114  
Fax: +(822) 792 9015

### EMEA

Honeywell Process Solutions,  
Phone: + 800 12026455 or  
+44 (0) 1202645583

Email: (Sales)

[FP-Sales-Apps@Honeywell.com](mailto:FP-Sales-Apps@Honeywell.com)

or

(TAC)

[hfs-tac-support@honeywell.com](mailto:hfs-tac-support@honeywell.com)

### AMERICAS

Honeywell Process Solutions,  
Phone: (TAC) (800) 423-9883  
or (215) 641-3610  
(Sales) 1-800-343-0228

Email: (Sales)

[FP-Sales-Apps@Honeywell.com](mailto:FP-Sales-Apps@Honeywell.com)

or

(TAC)

[hfs-tac-support@honeywell.com](mailto:hfs-tac-support@honeywell.com)

### For more information

To learn more about SmartLine Transmitters,  
visit [www.honeywellprocess.com](http://www.honeywellprocess.com)  
Or contact your Honeywell Account Manager

### Process Solutions

Honeywell  
1250 W Sam Houston Pkwy S  
Houston, USA, TX 77042

Honeywell Control Systems Ltd  
Honeywell House, Skimped Hill Lane  
Bracknell, England, RG12 1EB

Shanghai City Centre, 100 Jungi Road  
Shanghai, China 20061

[www.honeywellprocess.com](http://www.honeywellprocess.com)



34-SW-33-02 Rev.1  
August 2018

©2018 Honeywell International Inc.