

Level Measurement

Point level measurement - RF Capacitance switches

Pointek CLS300 - Standard

Overview



Pointek CLS300 (standard version) is an inverse frequency shift capacitance level and material detection switch with optional rod/cable choices and configurable output. CLS300 is ideal for detecting liquids, solids, slurries, foam, and interfaces in demanding conditions where high pressure and temperatures are present and has the ability to tune out buildup on the probe.

Benefits

- Active-Shield technology so measurement is unaffected by material buildup or nozzle interference in active shield section
- Performs in extremely abrasive conditions because of solid rod construction
- Three LED indicators for adjustment control, output status, and power
- High-temperature version up to 400 °C (752 °F)

Application

Pointek CLS300 standard version has three LED indicators with basic relay and solid-state switch alarms.

The robust design of CLS300 makes it specifically applicable for heavy solids applications where abrasive materials occur as in the mining industry.

The fully potted electronics are unaffected by condensation, dust or vibration.

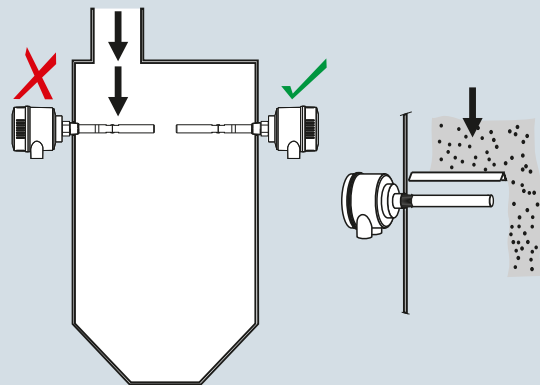
Wetted parts are made of stainless steel with a PFA shield for high chemical resistance, and of ceramic and stainless steel for high temperature version. Materials with low or high dielectric constants can be accurately detected. The unique Active Shield suppresses interference from material buildup or long installation nozzles.

The unique modular design of the Pointek CLS300 provides a wide range of configurations, process connections, extensions and approvals to meet the temperature and pressure requirements of specific applications. The modular design makes ordering easier and reduces stocking requirements. A wide range of probe configurations are available, including rod and cable versions.

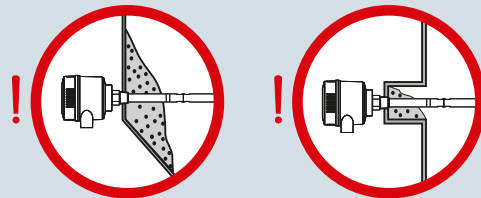
- Key Applications: liquids, slurries, bulk solids, relatively high pressure and temperature, hazardous areas, milling and mining applications

Configuration

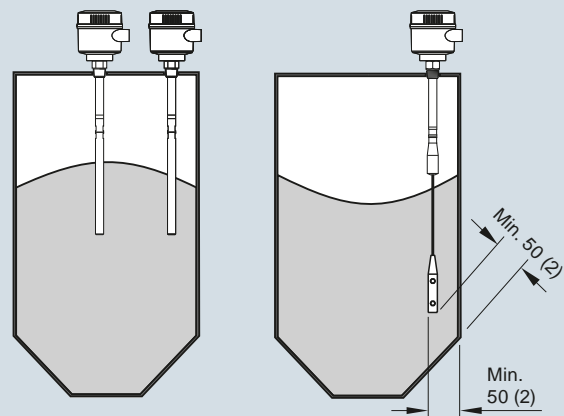
Installation



Keep unit out of path of falling material, or protect probe from falling material.



Build up of material in active shield area does not affect switch operation.



Install probe at least 50 (2) from tank wall.
Note angle of repose and adjust accordingly.

Pointek CLS300 installation, dimensions in mm (inch)

Level Measurement

Point level measurement - RF Capacitance switches

Pointek CLS300 - Standard

Technical specifications

Mode of operation		Design	
Measuring principle	Inverse frequency shift capacitive level detection	Material (enclosure)	Powder-coated aluminum with gasket
Input		Degree of Protection	Standard: Type 4/NEMA 4/IP65 Optional: Type 4/NEMA 4/IP68
Measured variable	Change in picoFarad (pF)	Cable inlet	2 x M20 x 1.5 thread (option: 2 x 1/2" NPT conduit entry including 1 plugged entry)
Output		Controls and displays	
Output signal		Displays	3 LEDs, for probe status, output status and power supply
• Relay output	1 SPDT Form C relay	Potentiometers	2 potentiometers for time delay and sensitivity
- Max. contact voltage	• 30 V DC • 250 V AC	Switches	5 DIP switches for delay on/off, fail-safe high/low, time delay test/adjust, high/low sensitivity, test delay settings
- Max. contact current	• 5 A (DC) • 8 A (AC)	Power supply	
- Max. switching capacity	• 150 W (DC) • 2 000 VA (AC)	Supply	12 ... 250 V AC/DC, 0 ... 60 Hz, galvanically isolated, 2 W
- Time delay (ON and/or OFF)	1 ... 60 s	Certificates and approvals	
• Solid-state output		General Purpose	CSA, FM, CE, RCM
- Output	Galvanically isolated	Flameproof Enclosure with IS Probe	ATEX II 1/2 G EEx d[ia] IIC T6 ... T1 ATEX II 1/2 D T100 °C
- Protection	Against reversed polarity (bipolar)	Dust Ignition Proof with IS Probe	ATEX II 1/2 D T100 °C CSA/FM Class II, Div. 1, Groups E, F, G CSA/FM Class III T4
- Max. switching voltage	• 30 V (DC) • 30 V peak (AC)	Explosion Proof Enclosure with IS Probe	CSA/FM Class I, Div. 1, Groups A, B, C, D CSA/FM Class II, Div. 1, Groups E, F, G CSA/FM Class III T4
- Max. load current	82 mA	Marine	Lloyds Register of Shipping, Categories ENV1, ENV2, and ENV5
- Voltage drop	< 1 V, typical at 50 mA	Overfill Protection	WHG (Germany) VLAREM II (Belgium)
- Time delay (pre or post switching)	1 ... 60 s	Others	Pattern Approval (China)
Accuracy		¹⁾ When operation is in areas classified as hazardous, observe restrictions according to relevant certificate. See also Pressure/Temperature curves starting on page 4/56. ²⁾ Thermal isolator is used if process connection temperature exceeds 85 °C (185 °F). ³⁾ Pressure rating of process seal is temperature dependent. See Pressure/Temperature curves starting on page 4/56.	
Resolution			
• Min. sensitivity (pF)	1 % change in actual capacitance		
• Max. temperature error	0.2 % of actual capacitance value		
Rated operating conditions¹⁾			
Installation conditions			
• Location	Indoor/outdoor		
Ambient conditions			
• Ambient temperature	-40 ... +85 °C (-40 ... +185 °F) ²⁾		
Medium conditions			
	Liquids, bulk solids, slurries and interfaces, and applications with viscous materials		
• Relative dielectric constant ϵ_r	Min. 1.5		
• Process temperature			
- Rod/Cable version	-40 ... +200 °C (-40 ... +392 °F) ²⁾		
- High-temperature version	-40 ... +400 °C (-40 ... +752 °F)		
• Process pressure ³⁾	-1 ... +35 bar g (-14.6 ... +511 psi g)		

Design: Probe

	Rod version	High Temperature version	Cable version
Length	Min. 250 mm (9.8 inch), max. 1 000 mm (40 inch)	Min. 250 mm (9.8 inch), max. 1 000 mm (40 inch)	Min. 1 000 mm (40 inch), max. 25 000 mm (984 inch)
Sensor wetted parts	PFA (no insulation on active probe), 316L stainless steel, PEEK isolators	Ceramic (ZrO ₂ ¹⁾ isolators (no insulation on active probe), 316L stainless steel	316 stainless steel, optional PFA, PEEK isolators
O-ring seal material	FKM (optional FFKM) ²⁾	Graphite ²⁾	FKM (optional FFKM) ²⁾
Thermal isolator	Optional	Standard	Optional
Extension	User selectable length	User selectable length	User selectable cable length

¹⁾ Zirconium Oxide

²⁾ For caustic materials, consult a local sales person for alternative O-rings. For more information, please visit http://www.automation.siemens.com/aspa_app.

Level Measurement

Point level measurement - RF Capacitance switches

Pointek CLS300 - Standard

Selection and Ordering data

Article No.

Pointek CLS300 - Standard - Rod Version with Threaded or Flanged process connection

7ML5650-

Inverse frequency shift capacitance level and material detection switch with optional rod/cable choices and configurable output. CLS300 is ideal for detecting liquids, solids, slurries, foam, and interfaces in demanding conditions where high pressure and temperatures are present, and has the ability to tune out buildup on the probe.

➤ Click on the Article No. for the online configuration in the PIA Life Cycle Portal.

Process connection

Threaded, 316L stainless steel

¾" NPT [(Taper), ANSI/ASME B1.20.1]

0 A

1" NPT [(Taper), ANSI/ASME B1.20.1]

0 B

1¼" NPT [(Taper), ANSI/ASME B1.20.1]

0 C

1½" NPT [(Taper), ANSI/ASME B1.20.1]

0 D

R ¾" [(BSPT), EN 10226/PT (JIS-T), JIS B 0203]

1 A

R 1" [(BSPT), EN 10226/PT (JIS-T), JIS B 0203]

1 B

R 1½" [(BSPT), EN 10226/PT (JIS-T), JIS B 0203]

1 D

G ¾" [(BSPP), EN ISO 228-1/PF (JIS-P), JIS B 0202]

3 A

G 1" [(BSPP), EN ISO 228-1/PF (JIS-P), JIS B 0202]

3 B

G 1½" [(BSPP), EN ISO 228-1/PF (JIS-P), JIS B 0202]

3 D

Welded flange, 316L stainless steel, raised face

1" ASME, 150 lb

5 A

1" ASME, 300 lb

5 B

1" ASME, 600 lb

5 C

1½" ASME, 150 lb

5 D

1½" ASME, 300 lb

5 E

1½" ASME, 600 lb

5 F

2" ASME, 150 lb

5 G

2" ASME, 300 lb

5 H

2" ASME, 600 lb

5 J

3" ASME, 150 lb

5 K

3" ASME, 300 lb

5 L

3" ASME, 600 lb

5 M

4" ASME, 150 lb

5 N

4" ASME, 300 lb

5 P

4" ASME, 600 lb

5 Q

Welded flange, 316L stainless steel,

Type A flat faced

DN 25, PN 16

6 A

DN 25, PN 40

6 B

DN 40, PN 16

6 C

DN 40, PN 40

6 D

DN 50, PN 16

6 E

DN 50, PN 40

6 F

DN 80, PN 16

6 G

DN 80, PN 40

6 H

DN 100, PN 16

6 J

DN 100, PN 40

6 K

(Note: flange bolting patterns and facings dimensionally correspond to the applicable ASME B16.5 or EN 1092-1 standard.)

Probe length

(length from flange face)

(threaded lengths include process thread)

Note: No Y01 needed in Order code for standard lengths

Standard version, rod 350 mm (13.78 inch)

A

Extended rod, length 500 mm (19.69 inch)

B

Extended rod, length 750 mm (29.53 inch)

C

Extended rod, length 1 000 mm (39.37 inch)

D

Selection and Ordering data

Article No.

Pointek CLS300 - Standard - Rod Version with Threaded or Flanged process connection

7ML5650-

Inverse frequency shift capacitance level and material detection switch with optional rod/cable choices and configurable output. CLS300 is ideal for detecting liquids, solids, slurries, foam, and interfaces in demanding conditions where high pressure and temperatures are present, and has the ability to tune out buildup on the probe.

Add Order code Y01 and plain text: "Insertion length ... mm"

Extended rod, factory adjusted length 250 ... 499 mm (9.8 ... 19.65 inch)

E

Extended rod, factory adjusted length 500 ... 749 mm (19.69 ... 29.49 inch)

F

Extended rod, factory adjusted length 750 ... 999 mm (29.53 ... 39.3 inch)

G

Thermal isolator

Without thermal isolator

0

With thermal isolator [for process connection temperatures over 85 °C (185 °F)]

1

Wetted seals

FKM

0

FFKM [for process temperatures above -20 °C (-4 °F)]

1

Probe material

316L stainless steel with PFA lining and PEEK isolators

0

Approvals

Dust Ignition Proof with IS Probe: CE, RCM, ATEX II 1/2 D T100 °C

C

Flameproof Enclosure with IS Probe: CE, RCM, ATEX II 1/2 G EEx d[ia] IIC T6 ... T1, ATEX II 1/2 D T100 °C

D

Flameproof Enclosure with IS Probe, with WHG approval: CE, RCM, ATEX II 1/2 G EEx d[ia] IIC T6 ... T1, ATEX II 1/2 D T100 °C

E

Dust Ignition Proof with IS Probe: CSA/FM Class II, Div. 1, Groups E, F, G CSA/FM Class III T4

F

Explosion Proof Enclosure with IS Probe: CSA/FM Class I, Div. 1, Groups A, B, C, D CSA/FM Class II, Div. 1, Groups E, F, G CSA/FM Class III T4

G

General Purpose (CSA, FM)

H

General Purpose (CE, RCM)

J

General Purpose with WHG approval (CSA, FM, CE, RCM)

K

Enclosure and lid

Aluminum epoxy coated

2 x ½" NPT via adapter - cable inlet, IP65

A

2 x M20 x 1.5 cable inlet, IP65

B

2 x ½" NPT via adapter - cable inlet, IP68

C

2 x M20 x 1.5 cable inlet, IP68

D

Active shield length

Standard length - (125 mm threaded, 105 mm flanged)

0

Extended shield - (250 mm threaded, 230 mm flanged)¹⁾

1

Extended shield - (400 mm threaded, 380 mm flanged)²⁾

2

¹⁾ Available with Probe version options B ... D, F, G only [≥ 500 mm (19.69 inch)]

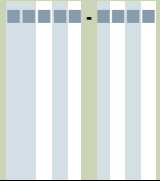
²⁾ Available with Probe version options C, D, and G only [≥ 750 mm (29.53 inch)]

Selection and Ordering data	Order code	Selection and Ordering data	Article No.
Further designs		Pointek CLS300 - Standard - Cable Version with Threaded or Flanged process connection	7ML5651-
Please add "-Z" to Article No. and specify Order code(s).		Inverse frequency shift capacitance level and material detection switch with optional rod/cable choices and configurable output. CLS300 is ideal for detecting liquids, solids, slurries, foam, and interfaces in demanding conditions where high pressure and temperatures are present, and has the ability to tune out buildup on the probe.	
Total insertion length: enter the total insertion length in plain text description	Y01	Click on the Article No. for the online configuration in the PIA Life Cycle Portal.	
Stainless steel tag [70 x 13 mm (2.75 x 0.5 inch)]: Measuring-point number/identification (max. 27 characters) specify in plain text	Y15	Process connection <u>Threaded, 316L stainless steel</u>	
Manufacturer's test certificate: M to DIN 55350, Part 18 and to ISO 9000	C11	1/4" NPT [(Taper), ANSI/ASME B1.20.1] 1/2" NPT [(Taper), ANSI/ASME B1.20.1] R 1/2" [(BSPT), EN 10226/PT (JIS-T), JIS B 0203] G 1/2" [(BSPP), EN ISO 228-1/PF (JIS-P), JIS B 0202]	0 C 0 D 1 D 3 D
Material Inspection Certificate Type 3.1 per EN 10204	C12	<u>Welded flange, 316L stainless steel, raised face</u> 1/2" ASME, 150 lb 1/2" ASME, 300 lb 1/2" ASME, 600 lb 2" ASME, 150 lb 2" ASME, 300 lb 2" ASME, 600 lb 3" ASME, 150 lb 3" ASME, 300 lb 3" ASME, 600 lb 4" ASME, 150 lb 4" ASME, 300 lb 4" ASME, 600 lb	5 D 5 E 5 F 5 G 5 H 5 J 5 K 5 L 5 M 5 N 5 P 5 Q
Operating Instructions		<u>Welded flange, 316L stainless steel, Type A flat faced</u> DN 40, PN 16 DN 40, PN 40 DN 50, PN 16 DN 50, PN 40 DN 80, PN 16 DN 80, PN 40 DN 100, PN 16 DN 100, PN 40 (Note: Flange bolting patterns and facings dimensionally correspond to the applicable ASME B16.5 or EN 1092-1 standard.)	6 C 6 D 6 E 6 F 6 G 6 H 6 J 6 K
All literature is available to download for free, in a range of languages, at http://www.siemens.com/processinstrumentation/documentation		Probe length (length from flange face) (threaded lengths include process thread) <u>Note: No Y01 needed in Order code for standard lengths</u> Extended cable, 3 000 mm (118.11 inch), length can be shortened by customer Extended cable, 6 000 mm (236.22 inch), length can be shortened by customer <u>Add Order code Y01 and plain text: "Insertion length ... mm"</u> Extended cable, 500 ... 1 000 mm (19.69 ... 39.37 inch) Extended cable, 1 001 ... 5 000 mm (39.41 ... 196.85 inch) Extended cable, 5 001 ... 10 000 mm (196.89 ... 393.70 inch) Extended cable, 10 001 ... 15 000 mm (393.74 ... 590.55 inch) Extended cable, 15 001 ... 20 000 mm (590.59 ... 787.40 inch) Extended cable, 20 001 ... 25 000 mm (787.44 ... 984.25 inch)	A B E F G H J K
Accessories	See page 4/55		

Level Measurement

Point level measurement - RF Capacitance switches

Pointek CLS300 - Standard

Selection and Ordering data	Article No.	Selection and Ordering data	Order code
Pointek CLS300 - Standard - Cable Version with Threaded or Flanged process connection Inverse frequency shift capacitance level and material detection switch with optional rod/cable choices and configurable output. CLS300 is ideal for detecting liquids, solids, slurries, foam, and interfaces in demanding conditions where high pressure and temperatures are present, and has the ability to tune out buildup on the probe.	7ML5651- 	Further designs Please add "-Z" to Article No. and specify Order code(s). Total insertion length: enter the total insertion length in plain text description Stainless steel tag [70 x 13 mm (2.75 x 0.5 inch)]: Measuring-point number/identification (max. 27 characters) specify in plain text Manufacturer's test certificate: M to DIN 55350, Part 18 and to ISO 9000 Material Inspection Certificate Type 3.1 per EN 10204	 Y01 Y15 C11 C12
Thermal isolator Without thermal isolator With thermal isolator [for process connection temperatures over 85 °C (185 °F)]	0 1	Operating Instructions All literature is available to download for free, in a range of languages, at http://www.siemens.com/processinstrumentation/documentation	
Wetted seals FKM FFKM [for process temperatures above -20 °C (-4 °F)]	0 1		
Probe material Bare 316L stainless steel cable, PEEK isolators and 316L stainless steel cable weight PFA coated cable, PEEK isolators and 316L stainless steel cable weight	0 1	Accessories See page 4/55	
Approvals Dust Ignition Proof with IS Probe: CE, RCM, ATEX II 1/2 D T100 °C Flameproof Enclosure with IS Probe: CE, RCM, ATEX II 1/2 G EEx d[ia] IIC T6 ... T1, ATEX II 1/2 D T100 °C Flameproof Enclosure with IS Probe, with WHG approval: CE, RCM, ATEX II 1/2 G EEx d[ia] IIC T6 ... T1, ATEX II 1/2 D T100 °C Dust Ignition Proof with IS Probe: CSA/FM Class II, Div. 1, Groups E, F, G CSA/FM Class III T4 Explosion Proof Enclosure with IS Probe: CSA/FM Class I, Div. 1, Groups A, B, C, D CSA/FM Class II, Div. 1, Groups E, F, G CSA/FM Class III T4 General Purpose (CSA, FM) General Purpose (CE, RCM) General Purpose with WHG approval (CSA, FM, CE, RCM)	C D E F G H J K		
Enclosure and lid <u>Aluminum epoxy coated</u> 2 x ½" NPT via adapter - cable inlet, IP65 2 x M20 x 1.5 cable inlet, IP65 2 x ½" NPT via adapter - cable inlet, IP68 2 x M20 x 1.5 cable inlet, IP68	A B C D		
Active shield length Standard length - (125 mm threaded, 105 mm flanged) Extended shield - (250 mm threaded, 230 mm flanged) Extended shield - (400 mm threaded, 380 mm flanged) ¹⁾	0 1 2		

¹⁾ Available with Probe version options A, B, F ... K, only [≥ 1 000 mm (39.7 inch)].

Level Measurement

Point level measurement - RF Capacitance switches

Pointek CLS300 - Standard

Selection and Ordering data	Article No.	Selection and Ordering data	Article No.
Pointek CLS300 - Standard - High Temperature Rod Version with Threaded or Flanged process connection	7ML5652- 0 -	Pointek CLS300 - Standard - High Temperature Rod Version with Threaded or Flanged process connection	7ML5652- 0 -
Inverse frequency shift capacitance level and material detection switch with optional rod/cable choices and configurable output. CLS300 is ideal for detecting liquids, solids, slurries, foam, and interfaces in demanding conditions where high pressure and temperatures are present, and has the ability to tune out buildup on the probe.		Inverse frequency shift capacitance level and material detection switch with optional rod/cable choices and configurable output. CLS300 is ideal for detecting liquids, solids, slurries, foam, and interfaces in demanding conditions where high pressure and temperatures are present, and has the ability to tune out buildup on the probe.	
Click on the Article No. for the online configuration in the PIA Life Cycle Portal.		Add Order code Y01 and plain text: <u>"Insertion length ... mm"</u>	
Process connection Threaded, 316L stainless steel		Extended rod, factory adjusted length 250 ... 499 mm (9.8 ... 19.65 inch)	E
¾" NPT [(Taper), ANSI/ASME B1.20.1]	0 A	Extended rod, factory adjusted length 500 ... 749 mm (19.69 ... 29.49 inch)	F
1" NPT [(Taper), ANSI/ASME B1.20.1]	0 B	Extended rod, factory adjusted length 750 ... 999 mm (29.53 ... 39.3 inch)	G
1¼" NPT [(Taper), ANSI/ASME B1.20.1]	0 C	Wetted seals Graphite	0
1½" NPT [(Taper), ANSI/ASME B1.20.1]	0 D	Probe material 316L stainless steel with ceramic (ZrO ₂) isolators	0
R ¾" [(BSPT), EN 10226/PT (JIS-T), JIS B 0203]	1 A	Approvals Dust Ignition Proof with IS Probe: CE, RCM, ATEX II 1/2 D T100 °C	C
R 1" [(BSPT), EN 10226/PT (JIS-T), JIS B 0203]	1 B	Flameproof Enclosure with IS Probe: CE, RCM, ATEX II 1/2 G EEx d[ia] IIC T6 ... T1, ATEXII 1/2 D T100 °C	D
R 1½" [(BSPT), EN 10226/PT (JIS-T), JIS B 0203]	1 D	Flameproof Enclosure with IS Probe, with WHG approval: CE, RCM, ATEX II 1/2 G EEx d[ia] IIC T6 ... T1, ATEX II 1/2 D T100 °C	E
G ¾" [(BSPP), EN ISO 228-1/PF (JIS-P), JIS B 0202]	3 A	Dust Ignition Proof with IS Probe: CSA/FM Class II, Div. 1, Groups E, F, G CSA/FM Class III T4	F
G 1" [(BSPP), EN ISO 228-1/PF (JIS-P), JIS B 0202]	3 B	Explosion Proof Enclosure with IS Probe: CSA/FM Class I, Div. 1, Groups A, B, C, D CSA/FM Class II, Div. 1, Groups E, F, G CSA/FM Class III T4	G
G 1½" [(BSPP), EN ISO 228-1/PF (JIS-P), JIS B 0202]	3 D	General Purpose (CSA, FM)	H
Welded flange, 316L stainless steel, raised face		General Purpose (CE, RCM)	J
1" ASME, 150 lb	5 A	General Purpose with WHG approval (CSA, FM, CE, RCM)	K
1" ASME, 300 lb	5 B	Enclosure and lid Aluminum epoxy coated	
1" ASME, 600 lb	5 C	2 x ½" NPT via adapter - cable inlet, IP65	A
1½" ASME, 150 lb	5 D	2 x M20 x 1.5 cable inlet, IP65	B
1½" ASME, 300 lb	5 E	2 x ½" NPT via adapter - cable inlet, IP68	C
1½" ASME, 600 lb	5 F	2 x M20 x 1.5 cable inlet, IP68	D
2" ASME, 150 lb	5 G	Active shield length Standard length - (125 mm threaded, 105 mm flanged)	0
2" ASME, 300 lb	5 H	Extended shield - (250 mm threaded, 230 mm flanged) ¹⁾	1
2" ASME, 600 lb	5 J	Extended shield - (400 mm threaded, 380 mm flanged) ²⁾	2
3" ASME, 150 lb	5 K	¹⁾ Available with Probe version options B ... D, F, G only [≥ 500 mm (19.69 inch)]	
3" ASME, 300 lb	5 L	²⁾ Available with Probe version options C, D, and G only [≥ 750 mm (29.53 inch)]	
3" ASME, 600 lb	5 M		
4" ASME, 150 lb	5 N		
4" ASME, 300 lb	5 P		
4" ASME, 600 lb	5 Q		
Welded flange, 316L stainless steel, Type A flat faced			
DN 25, PN 16	6 A		
DN 25, PN 40	6 B		
DN 40, PN 16	6 C		
DN 40, PN 40	6 D		
DN 50, PN 16	6 E		
DN 50, PN 40	6 F		
DN 80, PN 16	6 G		
DN 80, PN 40	6 H		
DN 100, PN 16	6 J		
DN 100, PN 40	6 K		
(Note: Flange bolting patterns and facings dimensionally correspond to the applicable ASME B16.5 or EN 1092-1 standard.)			
Probe length (length from flange face) (threaded lengths include process thread) <u>Note: No Y01 needed in Order code for standard lengths</u>			
Standard version rod, 350 mm (13.78 inch)	A		
Extended rod, length 500 mm (19.69 inch)	B		
Extended rod, length 750 mm (29.53 inch)	C		
Extended rod, length 1 000 mm (39.37 inch)	D		

Level Measurement

Point level measurement - RF Capacitance switches

Pointek CLS300 - Standard

Selection and Ordering data	Order code
Further designs	
Please add "-Z" to Article No. and specify Order code(s).	
Total insertion length: enter the total insertion length in plain text description ¹⁾	Y01
Stainless steel tag [70 x 13 mm (2.75 x 0.5 inch)]: Measuring-point number/identification (max. 27 characters) specify in plain text	Y15
Manufacturer's test certificate: M to DIN 55350, Part 18 and to ISO 9000	C11
Material Inspection Certificate Type 3.1 per EN 10204	C12
Operating Instructions	
All literature is available to download for free, in a range of languages, at http://www.siemens.com/ processinstrumentation/documentation	
Accessories	See page 4/55

¹⁾ Not available with Probe length option B.

Overview



Pointek CLS300 (digital version) is an inverse frequency shift capacitance level and material detection switch with optional rod/cable choices and configurable output. It is ideal for detecting liquids, solids, slurries, foam, and interfaces in demanding conditions where high pressure and temperatures are present and has the ability to tune out buildup on the probe. The digital version includes PROFIBUS PA, an LCD display, and advanced diagnostic features.

Benefits

- Active-Shield technology so measurement is unaffected by material buildup or nozzle interference in active shield section
- Performs in extremely abrasive conditions because of solid rod construction
- Push-button calibration, full-function diagnostics
- High sensitivity allows installation in a wide range of liquids, solids or slurry applications
- Integral LCD display allows for easy menu-driven setup
- PROFIBUS PA communication (SIMATIC PDM compatible)

Application

Pointek CLS300 digital version provides an integral LCD display for stand-alone use, with PROFIBUS PA communication (Profile version 3.0, Class B) when required. Solid-state switch alarm is standard.

The robust design of CLS300 makes it specifically applicable for heavy solids applications where abrasive materials occur as in the mining industry.

The fully potted electronics are unaffected by condensation, dust or vibration.

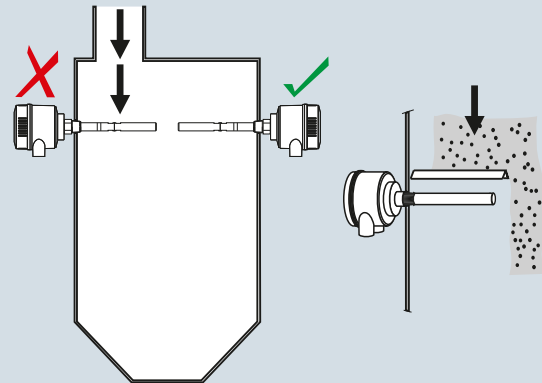
Wetted parts are made of stainless steel with a PFA shield for high chemical resistance, and of ceramic and stainless steel for high temperature version. Materials with low or high dielectric constants can be accurately detected. The unique Active Shield suppresses interference from material buildup or long installation nozzles.

The unique modular design of the Pointek CLS300 provides a wide range of configurations, process connections, extensions and approvals to meet the temperature and pressure requirements of specific applications. The modular design makes ordering easier and reduces stocking requirements. A wide range of probe configurations are available, including rod and cable versions.

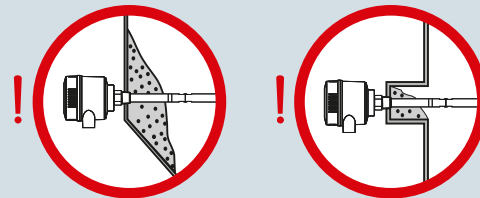
- Key Applications: liquids, slurries, bulk solids, relatively high pressure and temperature, hazardous areas, milling and mining applications

Configuration

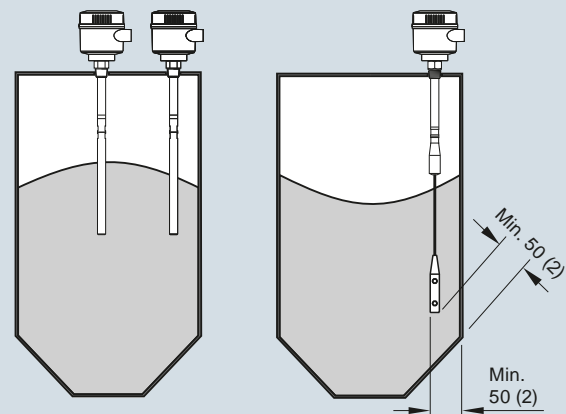
Installation



Keep unit out of path of falling material, or protect probe from falling material.



Build up of material in active shield area does not affect switch operation.



Install probe at least 50 (2) from tank wall.
Note angle of repose and adjust accordingly.

Pointek CLS300 installation, dimensions in mm (inch)

Level Measurement

Point level measurement - RF Capacitance switches

Pointek CLS300 - Digital

Technical specifications

Mode of operation

Measuring principle	Inverse frequency shift capacitive level detection
Input	
Measured variable	Change in picoFarad (pF)
Output	
Solid-state output	
• Output	Galvanically isolated
• Protection	Against reversed polarity (bipolar)
• Max. switching voltage	<ul style="list-style-type: none"> • 30 V (DC) • 30 V peak (AC)
• Max. load current	82 mA
• Voltage drop	< 1 V, typical at 50 mA
• Time delay (pre or post switching)	Programmable by user (0 ... 100 s)
Fail-safe mode	Min. or max.
Connection	Removable terminal block
Accuracy	
Resolution	
• Min. sensitivity (pF)	1 % change in actual capacitance
• Max. temperature error	0.2 % of actual capacitance value
Rated operating conditions¹⁾	
Installation conditions	
• Location	Indoor/outdoor
Ambient conditions	
• Ambient temperature	-40 ... +85 °C (-40 ... +185 °F) ²⁾
Medium conditions	Liquids, bulk solids, slurries, interfaces, and applications with viscous materials
• Relative dielectric constant ϵ_r	Min. 1.5
• Process temperature	
- Rod/Cable version	-40 ... +200 °C (-40 ... +392 °F) ²⁾
- High Temperature version	-40 ... +400 °C (-40 ... +752 °F)
• Process pressure ³⁾	-1 ... +35 bar g (-14.6 ... +511 psi g)
Design	
Material (enclosure)	Powder-coated aluminum with gasket
Degree of protection	Standard: Type 4/NEMA 4/IP65 Optional: Type 4/NEMA 4/IP68
Cable inlet	2 x M20 x 1.5 thread (option: 2 x 1/2" NPT conduit entry including 1 plugged entry)
Controls and displays	
Local display	LCD
Configuration	<ul style="list-style-type: none"> • Locally, using 3 button keypad (for standalone operation) • Remotely, using SIMATIC PDM (for installation on a network)

Power supply

Bus voltage (at process connection)	<ul style="list-style-type: none"> • Standard: 12 ... 30 V DC • Intrinsically Safe: 12 ... 24 V DC
Current consumption	12.5 mA
Certificates and approvals	
General Purpose	CSA, FM, CE, RCM
Dust Ignition Proof	ATEX II 1/2 D, 2 D IP6X T100 °C
Flameproof Enclosure With IS Probe	ATEX II 1/2 G EEx d[ia] IIC T6 ... T4 ATEX II 1/2 D T100 °C
Dust Ignition Proof With IS Probe	CSA/FM Class II, Div. 1, Groups E, F, G CSA/FM Class III T4
Intrinsically Safe ⁴⁾	ATEX II 1 G EEx ia IIC T6 ... T4 ATEX II 1/2 D, 2 D IP6X T100 °C CSA/FM Class I, Div. 1, Groups A, B, C, D CSA/FM Class II, Div. 1, Groups E, F, G CSA/FM Class III T4
Non-incendive	CSA/FM Class I, Div. 2, Groups A, B, C, D CSA/FM Class II, Div. 2, Groups F, G CSA/FM Class III T4 or T6
Explosion Proof with IS Probe	CSA/FM Class I, Div. 1, Groups A, B, C, D CSA/FM Class II, Div. 1, Groups E, F, G CSA/FM Class III T4
Marine	Lloyds Register of Shipping, Categories ENV1, ENV2, and ENV5
Others	Pattern Approval (China)
Communication	PROFIBUS PA (IEC 61158 CPF3 CP3/2) Bus physical layer: IEC 61158-2 MBP-(IS) Device profile: PROFIBUS PA profile for Process Control Devices Version 3.0, Class B FISCO field device

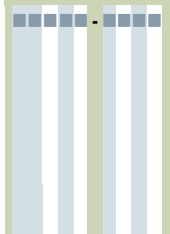
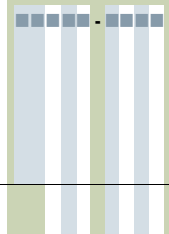
- 1) When operation is in areas classified as hazardous, observe restrictions according to relevant certificate. See also Pressure/Temperature curves starting on page 4/56.
- 2) Thermal isolator is used if process connection temperature exceeds 85 °C (185 °F)
- 3) Pressure rating of process seal is temperature dependent. See Pressure/Temperature curves starting on page 4/56.
- 4) Barrier or Intrinsically Safe power supply required for Intrinsically Safe protection

Design: Probe

	Rod version	High Temperature version	Cable version
Length	Min. 250 mm (9.8 inch), max. 1 000 mm (40 inch)	Min. 250 mm (9.8 inch), max. 1 000 mm (40 inch)	Min. 1 000 mm (40 inch), max. 25 000 mm (984 inch)
Sensor wetted parts	PFA (no insulation on active probe), 316L stainless steel, PEEK isolators	Ceramic (ZrO ₂ ¹⁾) isolators (no insulation on active probe), 316L stainless steel	316 stainless steel, optional PFA, PEEK isolators
O-ring seal material	FKM (optional FFKM) ²⁾	Graphite ²⁾	FKM (optional FFKM) ²⁾
Thermal isolator	Optional	Standard	Optional
Extension	User selectable length	User selectable length	User selectable cable length

¹⁾ Zirconium Oxide

²⁾ For caustic materials, consult a local sales person for alternative O-rings. For more information, please visit http://www.automation.siemens.com/aspa_app.

Selection and Ordering data	Article No.	Selection and Ordering data	Article No.
<p>Pointek CLS300 - Digital - Rod with Threaded or Flanged process connection</p> <p>Inverse frequency shift capacitance level and material detection switch with optional rod/cable choices and configurable output. It is ideal for detecting liquids, solids, slurries, foam, and interfaces in demanding conditions where high pressure and temperatures are present and has the ability to tune out buildup on the probe.</p> <p>➤ Click on the Article No. for the online configuration in the PIA Life Cycle Portal.</p>	<p>7ML5660-</p> 	<p>Pointek CLS300 - Digital - Rod with Threaded or Flanged process connection</p> <p>Inverse frequency shift capacitance level and material detection switch with optional rod/cable choices and configurable output. It is ideal for detecting liquids, solids, slurries, foam, and interfaces in demanding conditions where high pressure and temperatures are present and has the ability to tune out buildup on the probe.</p> <p>Add Order code Y01 and plain text: "Insertion length ... mm"</p>	<p>7ML5660-</p> 
<p>Process connection</p> <p><u>Threaded, 316L stainless steel</u></p> <p>¾" NPT [(Taper), ANSI/ASME B1.20.1] 0 A 1" NPT [(Taper), ANSI/ASME B1.20.1] 0 B 1¼" NPT [(Taper), ANSI/ASME B1.20.1] 0 C 1½" NPT [(Taper), ANSI/ASME B1.20.1] 0 D R ¾" [(BSPT), EN 10226/PT (JIS-T), JIS B 0203] 1 A R 1" [(BSPT), EN 10226/PT (JIS-T), JIS B 0203] 1 B R 1½" [(BSPT), EN 10226/PT (JIS-T), JIS B 0203] 1 D G ¾" [(BSPP), EN ISO 228-1/PF (JIS-P), JIS B 0202] 3 A G 1" [(BSPP), EN ISO 228-1/PF (JIS-P), JIS B 0202] 3 B G 1½" [(BSPP), EN ISO 228-1/PF (JIS-P), JIS B 0202] 3 D</p>	<p>0 A 0 B 0 C 0 D 1 A 1 B 1 D 3 A 3 B 3 D</p>	<p>Extended rod, factory adjusted length 250 ... 499 mm (9.8 ... 19.65 inch) E Extended rod, factory adjusted length 500 ... 749 mm (19.69 ... 29.49 inch) F Extended rod, factory adjusted length 750 ... 999 mm (29.53 ... 39.3 inch) G</p> <p>Thermal isolator</p> <p>Without thermal isolator 0 With thermal isolator [for process connection temperatures over 85 °C (185 °F)] 1</p> <p>Wetted seals</p> <p>FKM 0 FFKM [for process temperatures above -20 °C (-4 °F)] 1</p> <p>Probe material</p> <p>316L stainless steel with PFA lining and PEEK isolators 0</p>	<p>E F G 0 1 0 1 0</p>
<p><u>Welded flange, 316L stainless steel, raised face</u></p> <p>1" ASME, 150 lb 5 A 1" ASME, 300 lb 5 B 1" ASME, 600 lb 5 C 1½" ASME, 150 lb 5 D 1½" ASME, 300 lb 5 E 1½" ASME, 600 lb 5 F 2" ASME, 150 lb 5 G 2" ASME, 300 lb 5 H 2" ASME, 600 lb 5 J 3" ASME, 150 lb 5 K 3" ASME, 300 lb 5 L 3" ASME, 600 lb 5 M 4" ASME, 150 lb 5 N 4" ASME, 300 lb 5 P 4" ASME, 600 lb 5 Q</p>	<p>5 A 5 B 5 C 5 D 5 E 5 F 5 G 5 H 5 J 5 K 5 L 5 M 5 N 5 P 5 Q</p>	<p>Approvals</p> <p>Dust Ignition Proof: CE, RCM, ATEX II 1/2 D, 2 D IP6X T100 °C</p> <p>Intrinsically Safe¹⁾ CE, RCM, ATEX II 1 G EEx ia IIC T6 ... T4, ATEX II 1/2 D, 2 D IP6X T100 °C</p> <p>Flameproof Enclosure with IS Probe: CE, RCM, ATEX II 1/2 G EEx d[ia] IIC T6 ... T4, ATEX II 1/2 D T100 °C</p> <p>Dust Ignition Proof with IS Probe: CSA/FM Class II, Div. 1, Groups E, F, G CSA/FM Class III T4</p> <p>Intrinsically Safe¹⁾ CSA/FM Class I, Div. 1, Groups A, B, C, D CSA/FM Class II, Div. 1, Groups E, F, G CSA/FM Class III T4</p> <p>Explosion Proof Enclosure with IS Probe: CSA/FM Class I, Div. 1, Groups A, B, C, D CSA/FM Class II, Div. 1, Groups E, F, G CSA/FM Class III T4</p> <p>General Purpose (CSA, FM) H General Purpose (CSA, FM, CE, RCM) J</p>	<p>B C D E F G H J</p>
<p><u>Welded flange, 316L stainless steel, Type A flat faced</u></p> <p>DN 25, PN 16 6 A DN 25, PN 40 6 B DN 40, PN 16 6 C DN 40, PN 40 6 D DN 50, PN 16 6 E DN 50, PN 40 6 F DN 80, PN 16 6 G DN 80, PN 40 6 H DN 100, PN 16 6 J DN 100, PN 40 6 K</p> <p>(Note: Flange bolting patterns and facings dimensionally correspond to the applicable ASME B16.5 or EN 1092-1 standard.)</p>	<p>6 A 6 B 6 C 6 D 6 E 6 F 6 G 6 H 6 J 6 K</p>		
<p>Probe length (length from flange face) (threaded lengths include process thread)</p> <p>Note: No Y01 needed in Order code for <u>standard lengths</u></p> <p>Standard version, rod 350 mm (13.78 inch) A Extended rod, length 500 mm (19.69 inch) B Extended rod, length 750 mm (29.53 inch) C Extended rod, length 1 000 mm (39.37 inch) D</p>	<p>A B C D</p>		

Level Measurement

Point level measurement - RF Capacitance switches

Pointek CLS300 - Digital

Selection and Ordering data

Article No.

Pointek CLS300 - Digital - Rod with Threaded or Flanged process connection

7ML5660-

Inverse frequency shift capacitance level and material detection switch with optional rod/cable choices and configurable output. It is ideal for detecting liquids, solids, slurries, foam, and interfaces in demanding conditions where high pressure and temperatures are present and has the ability to tune out buildup on the probe.

Enclosure and Lid

Aluminum epoxy coated

2 x 1/2" NPT via adapter - cable inlet, IP65
2 x M20 x 1.5 cable inlet, IP65
2 x 1/2" NPT via adapter - cable inlet, IP68
2 x M20 x 1.5 cable inlet, IP68

A
B
C
D

Active shield length

Standard length - 0
(125 mm threaded, 105 mm flanged)
Extended shield - 1
(250 mm threaded, 230 mm flanged)²⁾
Extended shield - 2
(400 mm threaded, 380 mm flanged)³⁾

- Barrier or Intrinsically Safe power supply required for Intrinsically Safe protection
- Available with Probe version options B ... D, F, G only [≥ 500 mm (19.69 inch)]
- Available with Probe version options C, D, and G only [≥ 750 mm (29.53 inch)]

Selection and Ordering data

Order code

Further designs

Please add "-Z" to Article No. and specify Order code(s).

Total insertion length: enter the total insertion length in plain text description **Y01**

Stainless steel tag [70 x 13 mm (2.75 x 0.5 inch)]: Measuring-point number/identification (max. 27 characters) specify in plain text **Y15**

Manufacturer's test certificate: M to DIN 55350, Part 18 and to ISO 9000 **C11**

Material inspection Certificate Type 3.1 per EN 10204 **C12**

Operating Instructions

All literature is available to download for free, in a range of languages, at <http://www.siemens.com/processinstrumentation/documentation>

Accessories

See page 4/55

Selection and Ordering data

Article No.

Pointek CLS300 - Digital - Cable with Threaded or Flanged process connection

7ML5661-

Inverse frequency shift capacitance level and material detection switch with optional rod/cable choices and configurable output. It is ideal for detecting liquids, solids, slurries, foam, and interfaces in demanding conditions where high pressure and temperatures are present and has the ability to tune out buildup on the probe.

➤ Click on the Article No. for the online configuration in the PIA Life Cycle Portal.

Process connection

Threaded, 316L stainless steel

1/4" NPT [(Taper), ANSI/ASME B1.20.1] **0 C**
1/2" NPT [(Taper), ANSI/ASME B1.20.1] **0 D**
R 1/2" [(BSPT), EN 10226/PT (JIS-T), JIS B 0203] **1 D**
G 1/2" [(BSPP), EN ISO 228-1/PF (JIS-P), JIS B 0202] **3 D**

Welded flange, 316L stainless steel, raised face

1/2" ASME, 150 lb **5 D**
1/2" ASME, 300 lb **5 E**
1/2" ASME, 600 lb **5 F**

2" ASME, 150 lb **5 G**
2" ASME, 300 lb **5 H**
2" ASME, 600 lb **5 J**

3" ASME, 150 lb **5 K**
3" ASME, 300 lb **5 L**
3" ASME, 600 lb **5 M**

4" ASME, 150 lb **5 N**
4" ASME, 300 lb **5 P**
4" ASME, 600 lb **5 Q**

Welded flange, 316L stainless steel, Type A flat faced

DN 40, PN 16 **6 C**
DN 40, PN 40 **6 D**
DN 50, PN 16 **6 E**

DN 50, PN 40 **6 F**
DN 80, PN 16 **6 G**
DN 80, PN 40 **6 H**

DN 100, PN 16 **6 J**
DN 100, PN 40 **6 K**

(Note: Flange bolting patterns and facings dimensionally correspond to the applicable ASME B16.5 or EN 1092-1 standard.)

Probe length

(length from flange face)
(threaded lengths include process thread)

Note: No Y01 needed in Order code for standard lengths

Extended cable, 3 000 mm (118.11 inch), length can be shortened by customer **A**
Extended cable, 6 000 mm (236.22 inch), length can be shortened by customer **B**

Add Order code Y01 and plain text:

"Insertion length ... mm"

Extended cable, 500 ... 1 000 mm (19.69 ... 39.37 inch) **E**

Extended cable, 1 001 ... 5 000 mm (39.41 ... 196.85 inch) **F**

Extended cable, 5 001 ... 10 000 mm (196.89 ... 393.70 inch) **G**

Extended cable, 10 001 ... 15 000 mm (393.74 ... 590.55 inch) **H**

Extended cable, 15 001 ... 20 000 mm (590.59 ... 787.40 inch) **J**

Extended cable, 20 001 ... 25 000 mm (787.44 ... 984.25 inch) **K**

Selection and Ordering data	Article No.	Selection and Ordering data	Order code
Pointek CLS300 - Digital - Cable with Threaded or Flanged process connection Inverse frequency shift capacitance level and material detection switch with optional rod/cable choices and configurable output. It is ideal for detecting liquids, solids, slurries, foam, and interfaces in demanding conditions where high pressure and temperatures are present and has the ability to tune out buildup on the probe.	7ML5661-	Further designs Please add "-Z" to Article No. and specify Order code(s). Total insertion length: enter the total insertion length in plain text description Stainless steel tag [70 x 13 mm (2.75 x 0.5 inch)]: Measuring-point number/identification (max. 27 characters) specify in plain text Manufacturer's test certificate: M to DIN 55350, Part 18 and to ISO 9000 Material inspection Certificate Type 3.1 per EN 10204	
Thermal isolator Without thermal isolator With thermal isolator [for process connection temperatures over 85 °C (185 °F)]	0 1	Operating Instructions All literature is available to download for free, in a range of languages, at http://www.siemens.com/processinstrumentation/documentation	Y01 Y15
Wetted seals FKM FFKM [for process temperatures above -20 °C (-4 °F)]	0 1	Accessories	C11 C12
Probe material Bare 316L stainless steel cable, PEEK isolators and 316L stainless steel cable weight PFA coated cable, PEEK isolators and 316L stainless steel cable weight	0 1		See page 4/55
Approvals Dust Ignition Proof: CE, RCM, ATEX II 1/2 D, 2 D IP6X T100 °C Intrinsically Safe ¹⁾ CE, RCM, ATEX II 1 G EEx ia IIC T6 ... T4, ATEX II 1/2 D, 2 D IP6X T100 °C Flameproof Enclosure with IS Probe: CE, RCM, ATEX II 1/2 G EEx d[ia] IIC T6 ... T4, ATEX II 1/2 D T100 °C Intrinsically Safe ¹⁾ CSA/FM Class I, Div. 1, Groups A, B, C, D CSA/FM Class II, Div. 1, Groups E, F, G CSA/FM Class III T4 Explosion Proof Enclosure with IS Probe: CSA/FM Class I, Div. 1, Groups A, B, C, D CSA/FM Class II, Div. 1, Groups E, F, G CSA/FM Class III T4 General Purpose (CSA, FM) General Purpose (CSA, FM, CE, RCM)	B C D F G H J		
Enclosure and Lid Aluminum epoxy coated 2 x ½" NPT via adapter - cable inlet, IP65 2 x M20 x 1.5 cable inlet, IP65 2 x ½" NPT via adapter - cable inlet, IP68 2 x M20 x 1.5 cable inlet, IP68	A B C D		
Active shield length Standard length - (125 mm threaded, 105 mm flanged) Extended shield - (250 mm threaded, 230 mm flanged) Extended shield - (400 mm threaded, 380 mm flanged) ²⁾	0 1 2		

1) Barrier or Intrinsically Safe power supply required for Intrinsically Safe protection.

2) Available with Probe version options A, B, F ... K, only [≥ 1 000 mm (39.7 inch)].

Level Measurement

Point level measurement - RF Capacitance switches

Pointek CLS300 - Digital

Selection and Ordering data

Article No.

Pointek CLS300 - Digital - High Temperature Rod version with Threaded or Flanged process connection

7ML5662-

Inverse frequency shift capacitance level and material detection switch with optional rod/cable choices and configurable output. It is ideal for detecting liquids, solids, slurries, foam, and interfaces in demanding conditions where high pressure and temperatures are present and has the ability to tune out buildup on the probe.

➤ Click on the Article No. for the online configuration in the PIA Life Cycle Portal.

Process connection

Threaded, 316L stainless steel

¾" NPT [(Taper), ANSI/ASME B1.20.1]

1" NPT [(Taper), ANSI/ASME B1.20.1]

1¼" NPT [(Taper), ANSI/ASME B1.20.1]

1½" NPT [(Taper), ANSI/ASME B1.20.1]

R ¾" [(BSPT), EN 10226/PT (JIS-T), JIS B 0203]

R 1" [(BSPT), EN 10226/PT (JIS-T), JIS B 0203]

R 1½" [(BSPT), EN 10226/PT (JIS-T), JIS B 0203]

G ¾" [(BSPP), EN ISO 228-1/PF (JIS-P), JIS B 0202]

G 1" [(BSPP), EN ISO 228-1/PF (JIS-P), JIS B 0202]

G 1½" [(BSPP), EN ISO 228-1/PF (JIS-P), JIS B 0202]

Welded flange, 316L stainless steel, raised face

1" ASME, 150 lb

1" ASME, 300 lb

1" ASME, 600 lb

1½" ASME, 150 lb

1½" ASME, 300 lb

1½" ASME, 600 lb

2" ASME, 150 lb

2" ASME, 300 lb

2" ASME, 600 lb

3" ASME, 150 lb

3" ASME, 300 lb

3" ASME, 600 lb

4" ASME, 150 lb

4" ASME, 300 lb

4" ASME, 600 lb

Welded flange, 316L stainless steel, Type A flat faced

DN 25, PN 16

DN 25, PN 40

DN 40, PN 16

DN 40, PN 40

DN 50, PN 16

DN 50, PN 40

DN 80, PN 16

DN 80, PN 40

DN 100, PN 16

DN 100, PN 40

(Note: Flange bolting patterns and facings dimensionally correspond to the applicable ASME B16.5 or EN 1092-1 standard.)

Probe length

(length from flange face)

(threaded lengths include process thread)

Note: No Y01 needed in Order code for standard lengths

Standard version rod, 350 mm (13.78 inch)

Extended rod, length 500 mm (19.69 inch)

Extended rod, length 750 mm (29.53 inch)

Extended rod, length 1 000 mm (39.37 inch)

0 A
0 B
0 C
0 D
1 A
1 B
1 D
3 A
3 B
3 D
5 A
5 B
5 C
5 D
5 E
5 F
5 G
5 H
5 J
5 K
5 L
5 M
5 N
5 P
5 Q
6 A
6 B
6 C
6 D
6 E
6 F
6 G
6 H
6 J
6 K
A
B
C
D

Selection and Ordering data

Article No.

Pointek CLS300 - Digital - High Temperature Rod version with Threaded or Flanged process connection

7ML5662-

Inverse frequency shift capacitance level and material detection switch with optional rod/cable choices and configurable output. It is ideal for detecting liquids, solids, slurries, foam, and interfaces in demanding conditions where high pressure and temperatures are present and has the ability to tune out buildup on the probe.

Add Order code Y01 and plain text:

Insertion length ... mm

Extended rod, factory adjusted length

250 ... 499 mm (9.8 ... 19.65 inch)

Extended rod, factory adjusted length

500 ... 749 mm (19.69 ... 29.49 inch)

Extended rod, factory adjusted length

750 ... 999 mm (29.53 ... 39.3 inch)

Wetted seals

Graphite

Probe material

316L stainless steel with ceramic (ZrO₂) isolators

Approvals

Dust Ignition Proof:

CE, RCM, ATEX II 1/2 D, 2 D IP6X T100 °C

Intrinsically Safe¹⁾

CE, RCM, ATEX II 1 G EEx ia IIC T6 ... T4,

ATEX II 1/2 D, 2 D IP6X T100 °C

Flameproof Enclosure with IS Probe:

CE, RCM, ATEX II 1/2 G EEx d[ia] IIC T6 ... T4,

ATEX II 1/2 D T100 °C

Intrinsically Safe¹⁾

CSA/FM Class I, Div. 1, Groups A, B, C, D

CSA/FM Class II, Div. 1, Groups E, F, G

CSA/FM Class III T4

Explosion Proof Enclosure with IS Probe:

CSA/FM Class I, Div. 1, Groups A, B, C, D

CSA/FM Class II, Div. 1, Groups E, F, G

CSA/FM Class III T4

General Purpose (CSA, FM)

General Purpose (CSA, FM, CE, RCM)

Enclosure and Lid

Aluminum epoxy coated

2 x ½" NPT via adapter - cable inlet, IP65

2 x M20 x 1.5 cable inlet, IP65

2 x ½" NPT via adapter - cable inlet, IP68

2 x M20 x 1.5 cable inlet, IP68

Active shield length

Standard length - (125 mm threaded, 105 mm flanged)

Extended shield - (250 mm threaded, 230 mm flanged)²⁾

Extended shield - (400 mm threaded, 380 mm flanged)³⁾

1) Barrier or Intrinsically Safe power supply required for Intrinsically Safe protection

2) Available with Probe version options B ... D, F, G only [≥ 500 mm (19.69 inch)]

3) Available with Probe version options C, D, and G only [≥ 750 mm (29.53 inch)]

0
E
F
G
0
0
B
C
D
F
G
H
J
A
B
C
D
0
1
2

4

Level Measurement

Point level measurement - RF Capacitance switches

Pointek CLS 300 - Standard and Digital

Selection and Ordering data	Order code	Selection and Ordering data	Article No.
<p>Further designs</p> <p>Please add *-Z* to Article No. and specify Order code(s).</p>		<p>Accessories</p> <p>One metallic cable gland M20 x 1.5, -40 ... +80 °C (-40 ... +176 °F) with integrated shield connection (available for PROFIBUS PA)</p> <p>7ML1930-1AQ</p>	
<p>Total insertion length: enter the total insertion length in plain text description</p>		<p>Y01</p>	
<p>Stainless steel tag [70 x 13 mm (2.75 x 0.5 inch)]: Measuring-point number/identification (max. 27 characters) specify in plain text</p>		<p>Y15</p>	<p>7ML1830-1JA</p>
<p>Manufacturer's test certificate: M to DIN 55350, Part 18 and to ISO 9000</p>		<p>C11</p>	<p>7ML1830-1JC</p>
<p>Material Inspection Certificate Type 3.1 per EN 10204</p>		<p>C12</p>	
<p>Operating Instructions</p> <p>All literature is available to download for free, in a range of languages, at http://www.siemens.com/processinstrumentation/documentation</p>			
<p>Accessories</p>		<p>See page 4/55</p>	
		<p>Hazardous Locations</p> <p>1/2" NPT EMC rated Cable Gland: Dust Ignition Proof, Flameproof Exd, and Increased Safety ATEX II 2 GD ExtD A21 (Zone 1, Zone 2, Zone 21, Zone 22, and in Gas Groups IIA, IIB and IIC) -60 ... +80 °C IP66, IP67, IP68, NEMA4X, cable sizes 5.5 ... 12 mm (0.216 ... 0.472 inch)</p> <p>7ML1830-1JB</p>	
		<p>M20 EMC rated Cable Gland: Dust Ignition Proof, Flameproof Exd, and Increased Safety ATEX II 2 GD ExtD A21 (Zone 1, Zone 2, Zone 21, Zone 22, and in Gas Groups IIA, IIB and IIC) -60 ... +80 °C IP66, IP67, IP68, NEMA4X, cable sizes 5.5 ... 12 mm (0.216 ... 0.472 inch)</p> <p>7ML1830-1JD</p>	
		<p>Blind threaded flanges are available. Customers interested in a custom designed device should consult a local sales person. For more information, please visit http://www.automation.siemens.com/aspa_app.</p>	
		<p>Pointek Specials</p>	<p>See page 4/62</p>

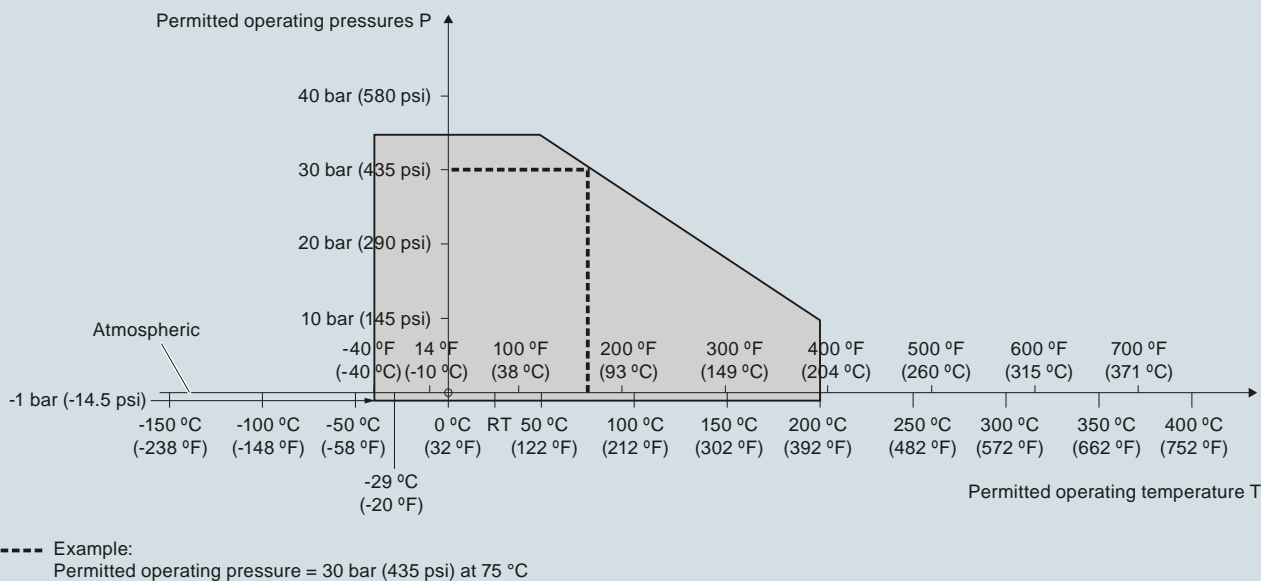
Level Measurement

Point level measurement - RF Capacitance switches

Pointek CLS 300 - Standard and Digital

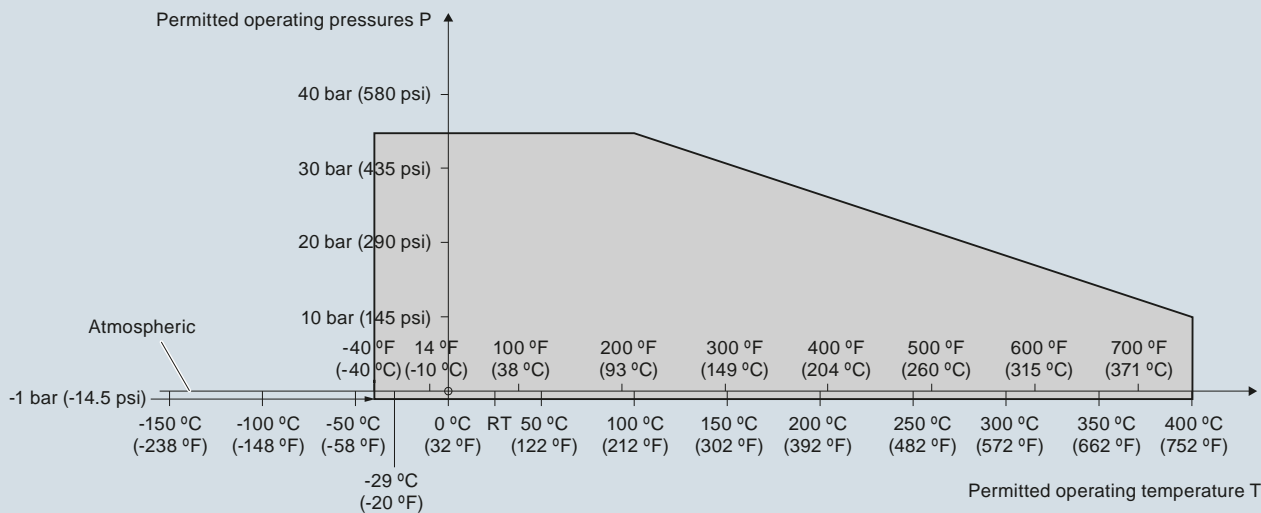
Characteristic curves

Pressure/temperature curve
CLS300 extended rod and cable probes
Threaded process connections
(7ML5650, 7ML5651, 7ML5660 and 7ML5661)



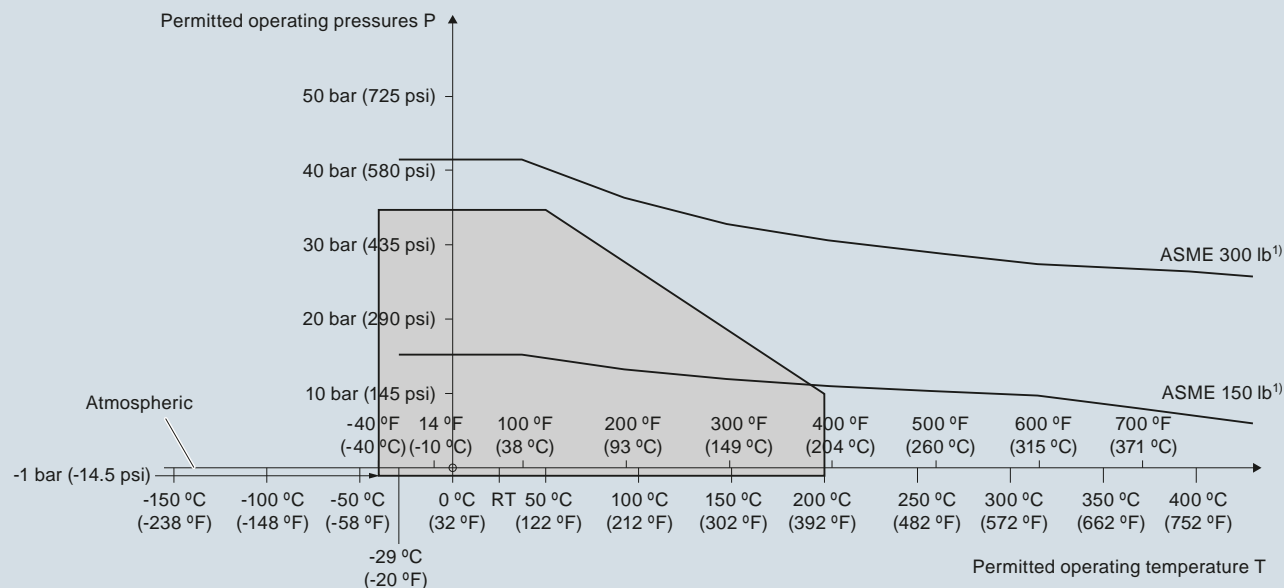
Pointek CLS300 process pressure/temperature derating curves (7ML5650, 7ML5651, 7ML5660 and 7ML5661)

Pressure/temperature curve
CLS300 high temperature rod probes
Threaded process connections
(7ML5652 and 7ML5662)



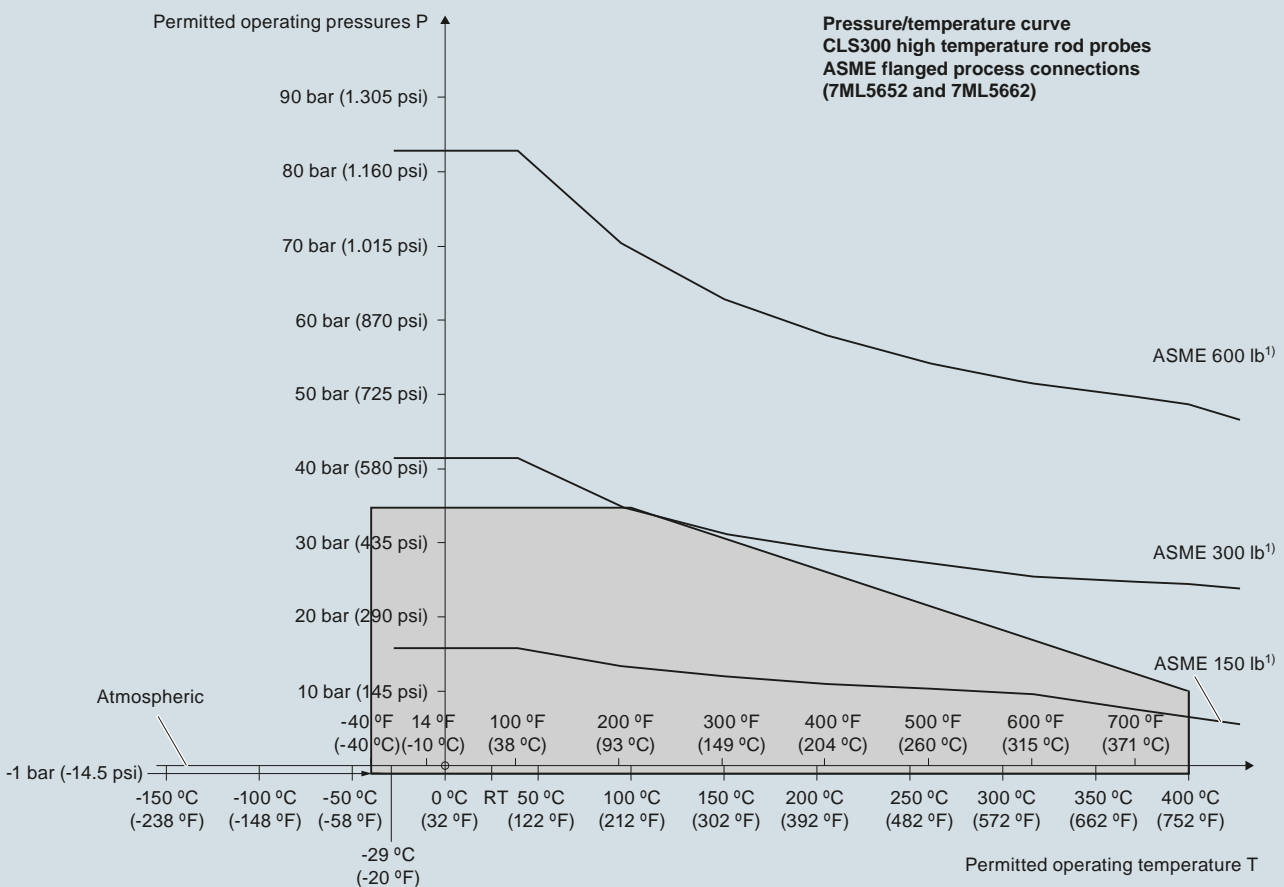
Pointek CLS300 process pressure/temperature derating curves (7ML5652 and 7ML5662)

Pressure/temperature curve
CLS300 extended rod and cable probes
ASME flanged process connections
(7ML5650, 7ML5651, 7ML5660 and 7ML5661)



¹⁾ The curve denotes the minimum allowable flange class for the shaded area below.

Pointek CLS300 process pressure/temperature derating curves (7ML5650, 7ML5651, 7ML5660, and 7ML5661)



Pressure/temperature curve
CLS300 high temperature rod probes
ASME flanged process connections
(7ML5652 and 7ML5662)

¹⁾ The curve denotes the minimum allowable flange class for the shaded area below.

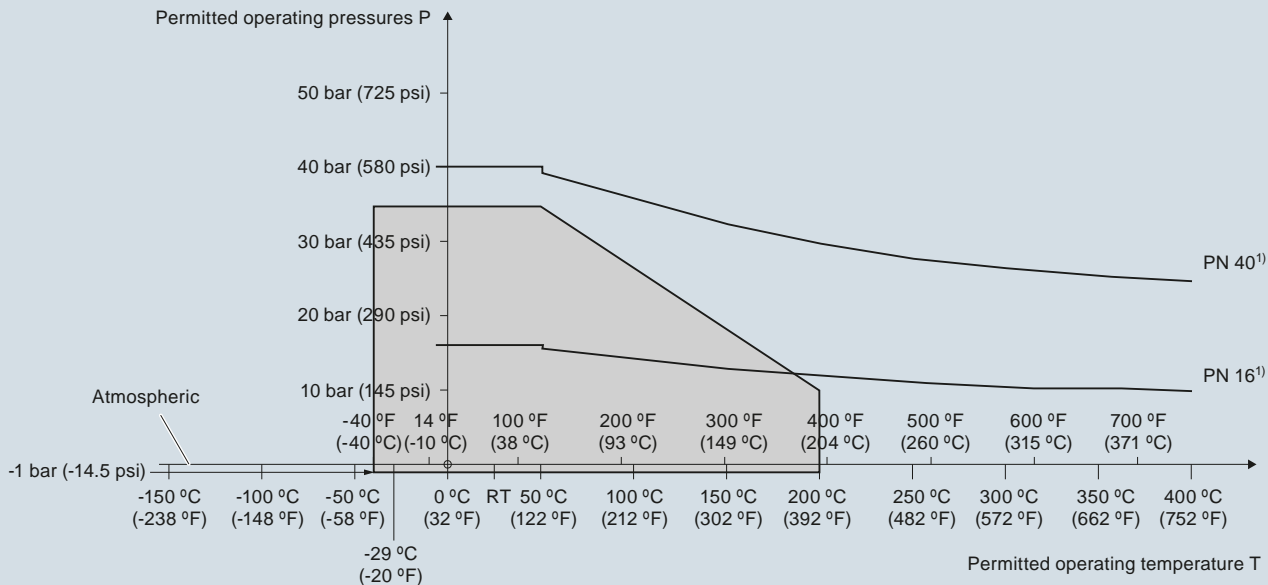
Pointek CLS300 process pressure/temperature derating curves (7ML5652 and 7ML5662)

Level Measurement

Point level measurement - RF Capacitance switches

Pointek CLS 300 - Standard and Digital

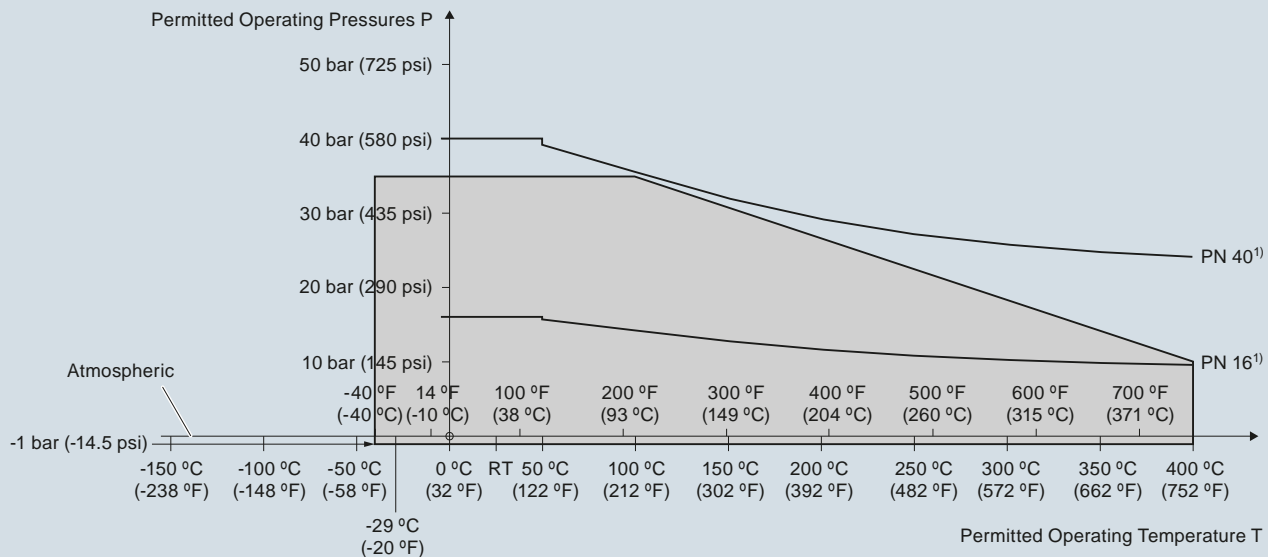
Pressure/temperature curve
CLS300 extended rod and cable probes
EN flanged process connections
(7ML5650, 7ML5651, 7ML5660 and 7ML5661)



1) The curve denotes the minimum allowable flange class for the shaded area below.

Pointek CLS300 process pressure/temperature derating curves (7ML5650, 7ML5651, 7ML5660 and 7ML5661)

Pressure/Temperature Curve
CLS300 High Temperature Rod Probes
EN Flanged Process Connections (7ML5652 and 7ML5662)

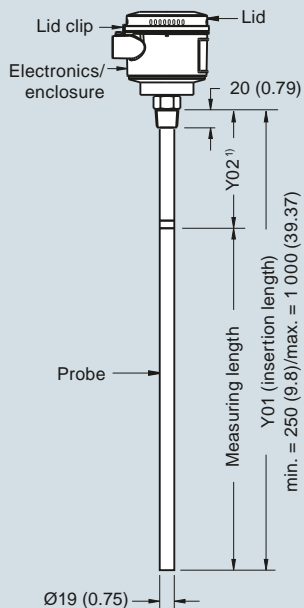


1) The curve denotes the minimum allowable flange class for the shaded area below.

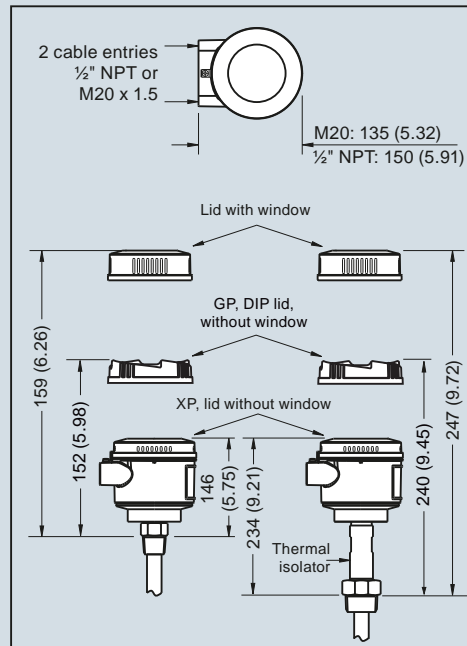
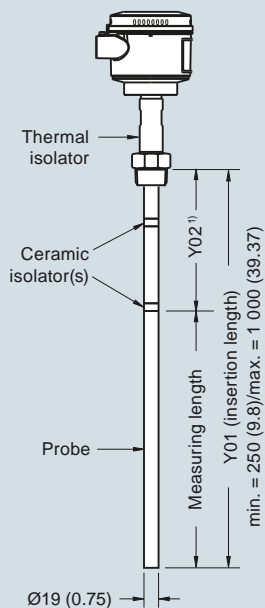
Pointek CLS300 process pressure/temperature derating curves (7ML5652 and 7ML5662)

Dimensional drawings

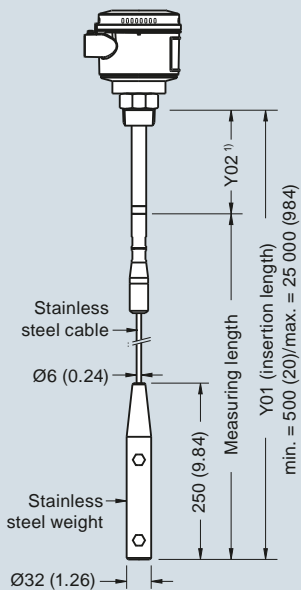
**Rod version
Threaded (7ML5650 and 7ML5660)**



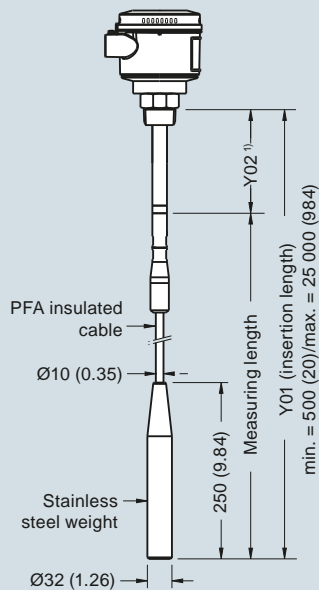
**High temperature rod version
Threaded (7ML5652 and 7ML5662)**



**Cable version, non-insulated
Threaded (7ML5651 and 7ML5661)**



**Cable version, insulated
Threaded (7ML5651 and 7ML5661)**



Note:

¹⁾ Extended Active Shield (Y02): standard length 125 (4.92). Optional active shield lengths: 250 (9.84) or 400 (15.75).

Pointek CLS300 threaded process connections, dimensions in mm (inch)

Level Measurement

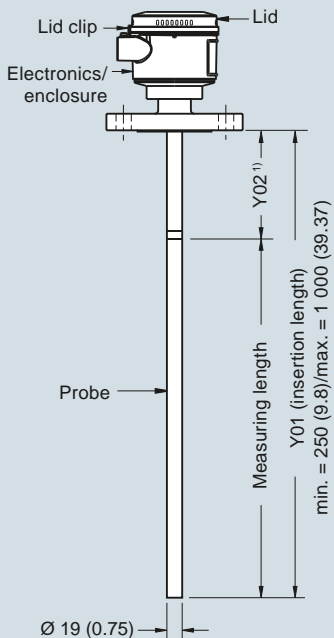
Point level measurement - RF Capacitance switches

Pointek CLS 300 - Standard and Digital

4

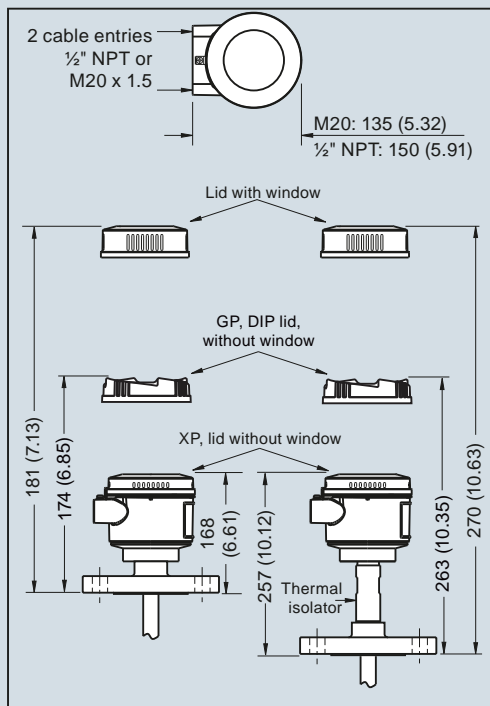
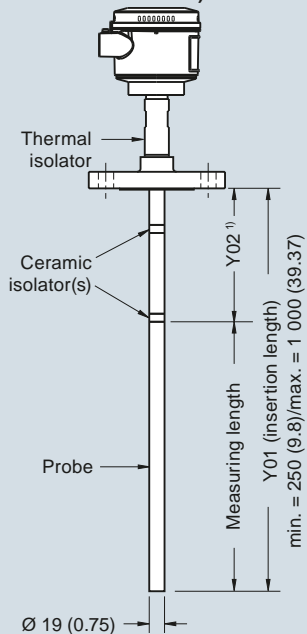
Rod version

Welded flange (7ML5650 and 7ML5660)



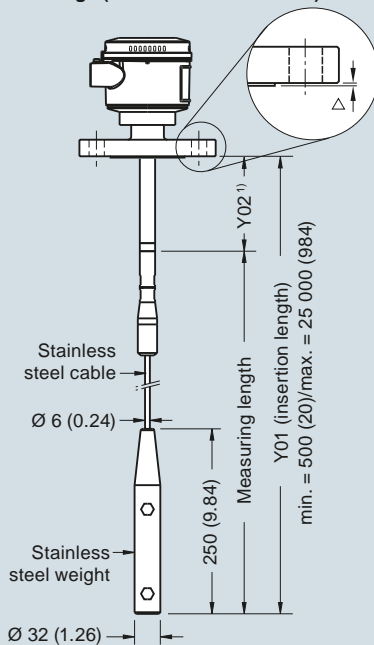
High temperature rod version

Welded flange (7ML5652 and 7ML5662)



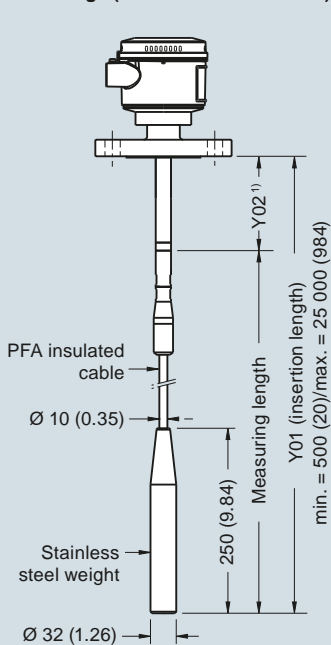
Cable version, non-insulated

Welded flange (7ML5651 and 7ML5661)



Cable version, insulated

Welded flange (7ML5651 and 7ML5661)



Flange Facing (raised face)	
Flange Class	Facing thickness
△ ASME 150/300	2 (0.08)
△ ASME 600/900	7 (0.28)
△ PN16/40	2 (0.08)

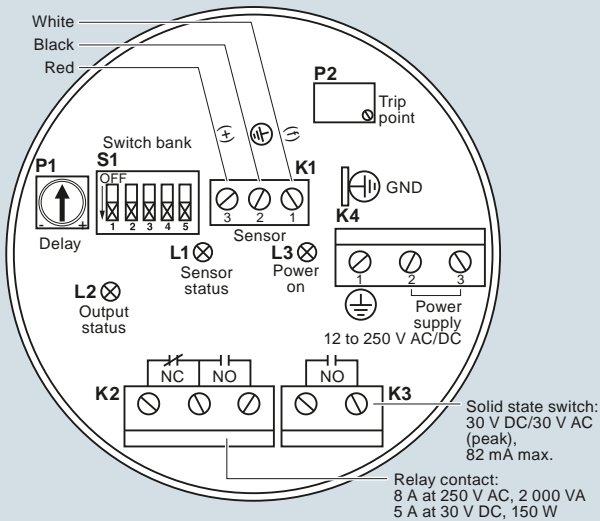
Note:

¹⁾ Extended Active Shield (Y02): standard length 105 (4.13). Optional active shield lengths: 230 (9.06) or 380 (14.96). Insertion length does not include any raised face/gasket face dimension (see Flange Facing Table above)

Pointek CLS300 flanged process connections, dimensions in mm (inch)

Schematics

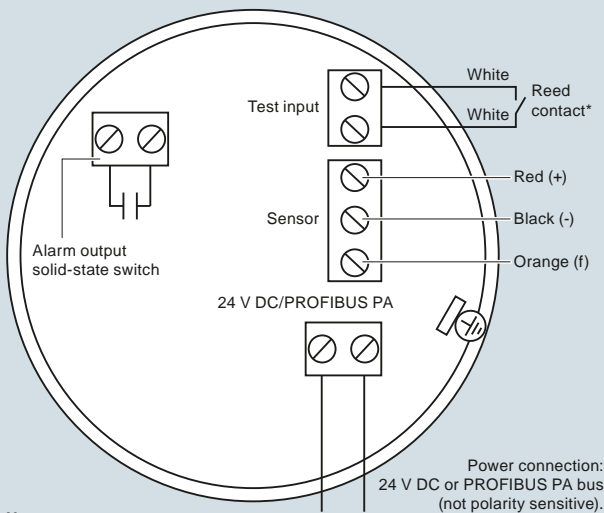
Wiring: Pointek CLS300 standard



Notes:

- Identification label is on underside of lid. Switch and potentiometer settings are for illustration purposes only (refer to operation/setup in manual).
- All field wiring must have insulation suitable for at least 250 V.
- Relay contact terminals are for use with equipment having no accessible live parts and wiring having insulation suitable for at least 250 V.
- Maximum working voltage between adjacent relay contacts shall be 250 V.
- Refer to the Instruction manual or contact Siemens representative for detailed wiring information.

Wiring: Pointek CLS300 digital



Notes:

Refer to the instruction manual or contact a Siemens representative for detailed wiring information.

***Magnet activated sensor test**

A magnet can be used to test the sensor without opening the lid of the Pointek CLS300 digital version. Bring the magnet close to the test area indicated on the enclosure. The sensor test starts and finishes automatically after 10 seconds.



Pointek CLS300 connections

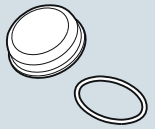
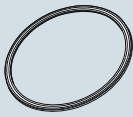
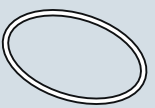
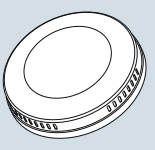
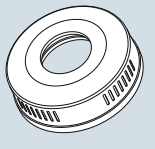

Level Measurement

Point level measurement - RF Capacitance switches

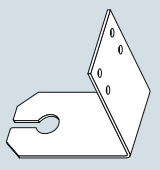


Pointek CLS Specials



Selection and ordering data


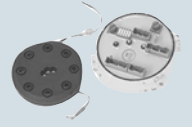

Pointek Specials¹⁾

	Article No.
CLS100 Polycarbonate Lid and Gasket, FKM 	A5E01163671
Kit, Lid and gasket, CLS100 enclosure version	
CLS100 Miscellaneous Parts Custom length of cable is available only for 7ML5501-xxx1x and 7ML5501-xxx5x ²⁾	
CLS200 Gasket (IP65), Synprene 	A5E01163672
Spare gasket, enclosure version (IP65 versions only)	
CLS200 Gasket (IP68), Silicone 	A5E01163673
Spare gasket, enclosure version (IP68 versions)	
CLS200 Blind Lid 	A5E01163674
Spare aluminum blind lid (for standard versions only)	
CLS200 Lid with window 	A5E01163676
Spare aluminum lid with window	
CLS200 Sensor Kit for cable units 	A5E01163677
Kit, sensor for cable units, PPS, Standard, FKM	

Pointek Specials¹⁾

	Article No.
Kit, sensor for cable units, PPS, digital, FKM	A5E01163678
Kit, sensor for cable units, PPS, standard, FFKM	A5E01163679
Kit, sensor for cable units, PPS, digital, FFKM	A5E01163680
Kit, sensor for cable units, PVDF, standard, FKM	A5E01163681
Kit, sensor for cable units, PVDF, digital, FFKM	A5E01163682
Kit, sensor for cable units, PVDF, standard, FFKM	A5E01163683
Kit, sensor for cable units, PVDF, digital, FFKM	A5E01163684
CLS200 Mounting Bracket, 316L stainless steel 	
Spare mounting bracket	A5E01163685
CLS200 PROFIBUS Connector (IP65) 	
Spare, PROFIBUS connector (IP65 versions only)	A5E01163686
CLS200 Miscellaneous Parts CLS200 with FFKM O-rings (any version) ²⁾	
CLS200 Electronics Test magnet, digital version	7ML1830-1JE
Amplifier/power supply kit, standard version	A5E03251681
Amplifier/power supply, digital version	7ML1830-1JF
LCD display, digital version	7ML1830-1JK
CLS300 Cable Extensions, 316L stainless steel 	
Kit, stainless steel cable extension, 1 m, adjustable by customer	A5E01163688
Kit, stainless steel cable extension, 3 m, adjustable by customer	A5E01163689
Kit, stainless steel cable extension, 5 m, adjustable by customer	A5E01163690
Kit, stainless steel cable extension, 10 m, adjustable by customer	A5E01163691
Kit, stainless steel cable extension, 15 m, adjustable by customer	A5E01163693
Kit, stainless steel cable extension, 20 m, adjustable by customer	A5E01163695

Pointek Specials ¹⁾	
	Article No.
CLS300 Cable Extensions, 316 stainless steel with PFA coating	
Kit, PFA cable extension, 1 m, adjustable by customer	A5E01163697
Kit, PFA cable extension, 3 m, adjustable by customer	A5E01163698
Kit, PFA cable extension, 5 m, adjustable by customer	A5E01163699
Kit, PFA cable extension, 10 m, adjustable by customer	A5E01163700
Kit, PFA cable extension, 15 m, adjustable by customer	A5E01163701
Kit, PFA cable extension, 20 m, adjustable by customer	A5E01163702
CLS300 Rod Kits, 316L stainless steel	
Kit, stainless steel rod 180 mm (7.09 inch) to be used with CLS300 units only (with standard active shield). Insertion length after installation is 350 mm (13.78 inch).	A5E01163719
Kit, stainless steel rod 330 mm (12.99 inch) to be used with CLS300 units only (with standard active shield). Insertion length after installation is 500 mm (19.69 inch).	A5E01163720
Kit, stainless steel rod 580 mm (22.83 inch) to be used with CLS300 units only (with standard active shield). Insertion length after installation is 750 mm (29.53 inch).	A5E01163721
Kit, stainless steel rod 830 mm (32.68 inch) to be used with CLS300 units only (with standard active shield). Insertion length after installation is 1 000 mm (39.37 inch).	A5E01163722
Kit, stainless steel rod 1 330 mm (52.36 inch) to be used with CLS300 units only (with standard active shield). Insertion length after installation is 1 500 mm (59.06 inch). ²⁾	
Kit, stainless steel rod 1 830 mm (72.05 inch) to be used with CLS300 units only (with standard active shield). Insertion length after installation is 2 000 mm (78.74 inch). ²⁾	
Kit, stainless steel rod customized length up to 1 m ²⁾	
Kit, stainless steel rod customized length up to 2 m ²⁾	

Pointek Specials ¹⁾	
	Article No.
CLS300 Electronics Kits with drivers (for rod or cable versions)	
Kit, electronics with driver, standard CLS300. To be used in rod or cable versions with length less than 5 m. ³⁾⁴⁾	A5E01163723
Kit, electronics with driver, digital CLS300. To be used in rod or cable versions with length less than 5 m. ³⁾⁴⁾	A5E01163725
CLS300 Electronics Kits with drivers (for cable versions)	
Kit, electronics with driver, standard CLS300. To be used in cable versions with length greater than 5 m. ³⁾⁴⁾	A5E01163724
Kit, electronics with driver, digital CLS300. To be used in cable versions with length greater than 5 m. ³⁾⁴⁾	A5E01163726
CLS300 Electronics	
Test magnet, digital version	7ML1830-1JE
Amplifier/power supply kit, standard version	A5E03251683
Amplifier/power supply, digital version	7ML1830-1JF
LCD display, digital version	7ML1830-1JK
CLS300 Weight Kit, 316L stainless steel	
Kit, spare stainless steel weight. To be used in any cable version of CLS300	A5E01163727

¹⁾ Special flange sizes and facings are available. Please consult a local sales person for details.

²⁾ Please consult a local sales person for part number and pricing

³⁾ For General Purpose approvals only

⁴⁾ To maintain approvals, qualified trained Siemens personnel required for part replacement

Customers interested in a custom designed device should consult a local sales person. For more information, please visit http://www.automation.siemens.com/aspa_app.