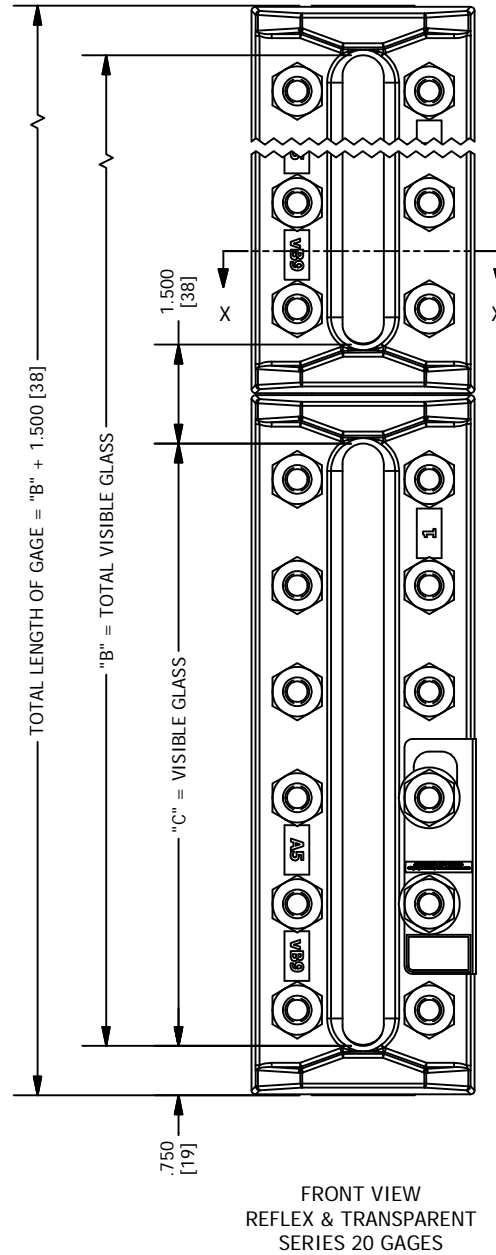
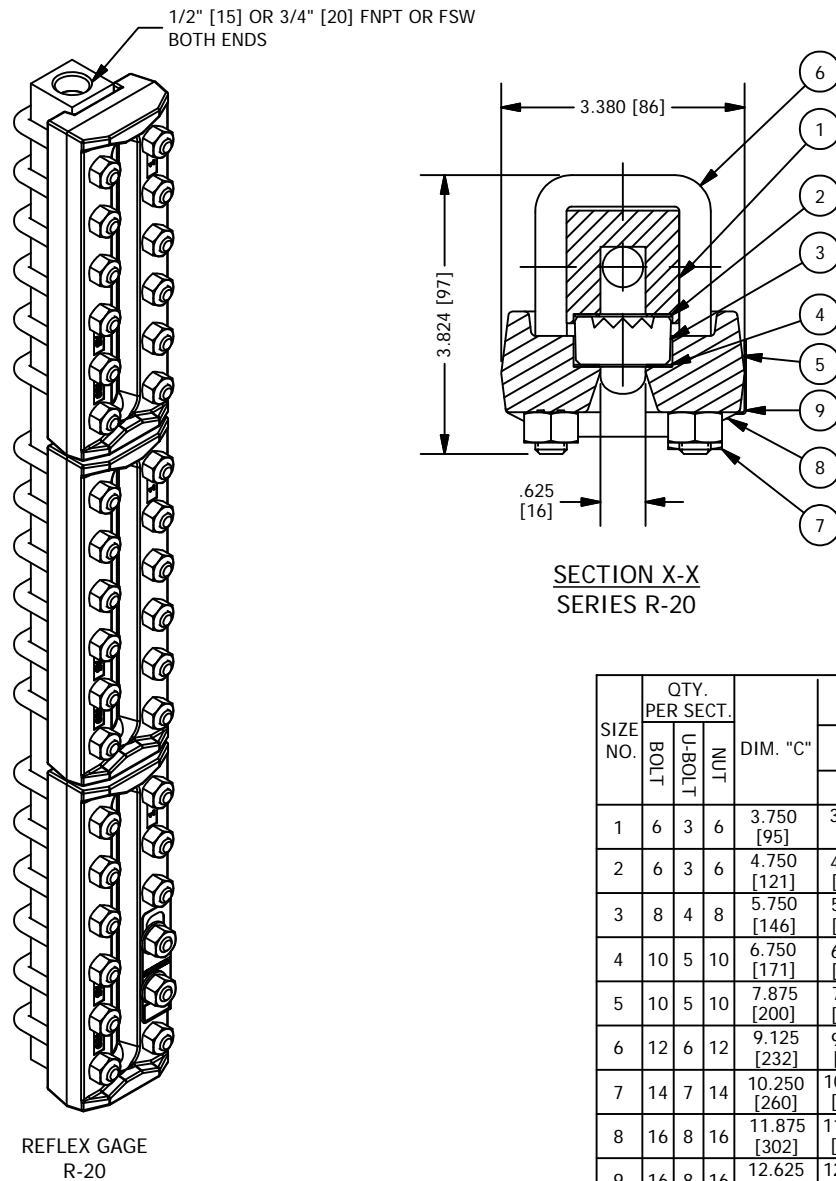


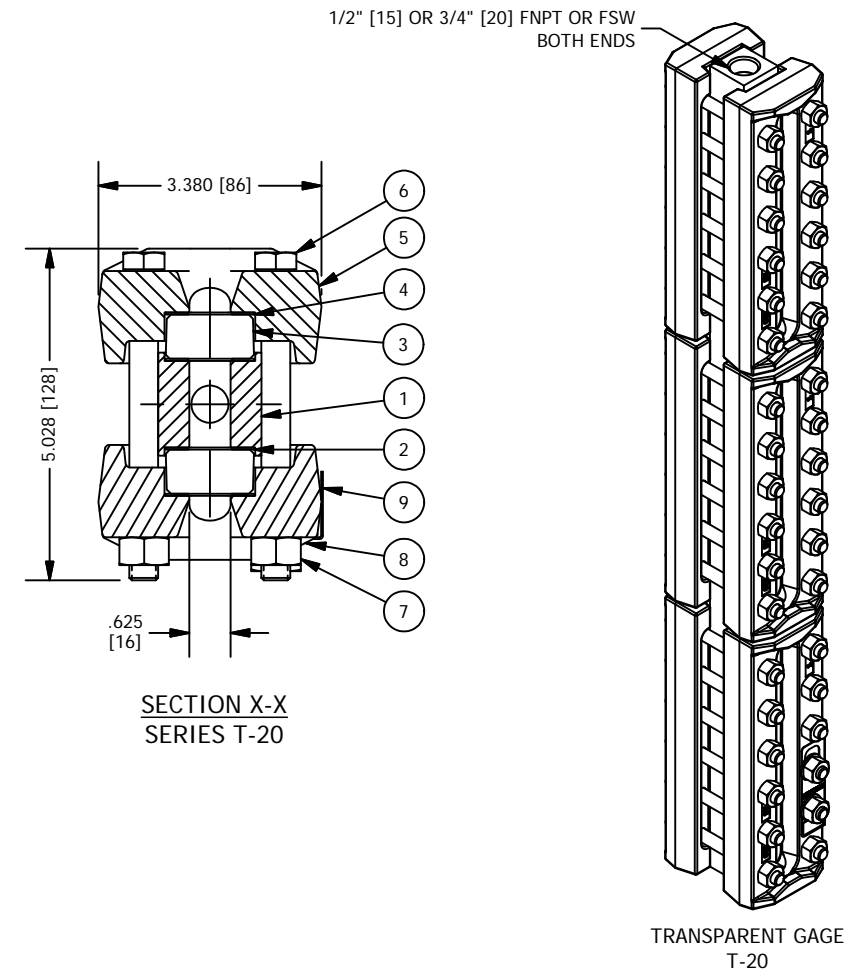
BILL OF MATERIAL (REFLEX GAGE)					
NO.	NAME OF PART	QTY.	MATERIAL	PART NO.	SPECIFICATION
1	CHAMBER, REFLEX	1	CARBON STEEL	PER ORDER	A696 GR.C/A105
2	GASKET	1 PER SECT.	IFG5500	V18980 __	
3	GLASS, REFLEX	1 PER SECT.	BOROSILICATE	V16757 __	
4	CUSHION	1 PER SECT.	IFG5500	V18980 __	
5	COVER	1 PER SECT.	CARBON STEEL	V2 __ A5	A105
6	U-BOLT	SEE CHART	ALLOY STEEL	P256 B71	A193 GR.B7
7	HEAVY HEX NUT	SEE CHART	CARBON STEEL	V11062 2HA	A194 GR.2H
8	WASHER	2	304SS	V13936 R	
9	TAG, RATING	1	304SS	V21864	

- NOTES:
- DIMENSIONS IN INCHES W/ mm EQUIVALENTS IN BRACKETS.
  - REFLEX GAGE RATING VARIANCE:
    - 3270 PSI (230 KG/CM<sup>2</sup>) @ 100°F (38°C) FOR SIZE 1 GLASS (MAX. RATING)
    - 1250 PSI (88 KG/CM<sup>2</sup>) @ 800°F (427°C) FOR SIZE 9 GLASS (MIN. RATING)
    - (>550°F REQUIRES GRAFOIL GASKETS)
    - (>600°F REQUIRES GRAFOIL GASKETS & ALUMINOSILICATE GLASS)
  - MAX SATURATED STEAM RATING FOR REFLEX GAGE IS 300 WSP.
  - REFER TO THE FOLLOWING (FOR):
    - CATALOG BULLETIN J100.09 (FULL RATINGS & ADDITIONAL INFORMATION)
    - IOM BULLETIN J500.05 (INSTRUCTIONS)
    - PRICE SHEET BULLETINS J800.11, 12, 18 (AVAILABLE OPTIONS)
  - CONSULT FACTORY FOR ALTERNATE MATERIAL OPTIONS.
  - FOR 316SS PARTS IN CONTACT REQUESTS, CHAMBER MATERIAL IS 316/316LSS PER A511 GR.MT316/316LSS



BILL OF MATERIAL (TRANSPARENT GAGE)					
NO.	NAME OF PART	QTY.	MATERIAL	PART NO.	SPECIFICATION
1	CHAMBER, TRANSPARENT	1	CARBON STEEL	PER ORDER	A696 GR.C/A105
2	GASKET	2 PER SECT.	IFG5500	V18980 __	
3	GLASS, TRANSPARENT	2 PER SECT.	BOROSILICATE	V16756 __	
4	CUSHION	2 PER SECT.	IFG5500	V18980 __	
5	COVER	2 PER SECT.	CARBON STEEL	V2 __ A5	A105
6	BOLT	SEE CHART	ALLOY STEEL	P263 B71	A193 GR.B7
7	HEAVY HEX NUT	SEE CHART	CARBON STEEL	V11062 2HA	A194 GR.2H
8	WASHER	2	304SS	V13936 R	
9	TAG, RATING	1	304SS	V21864	

- NOTES:
- DIMENSIONS IN INCHES W/ mm EQUIVALENTS IN BRACKETS.
  - TRANSPARENT GAGE RATING VARIANCE:
    - 2000 PSI (141 KG/CM<sup>2</sup>) @ 100°F (38°C) FOR SIZE 1 GLASS (MAX. RATING)
    - 550 PSI (39 KG/CM<sup>2</sup>) @ 800°F (427°C) FOR SIZE 9 GLASS (MIN. RATING)
    - (>550°F REQUIRES GRAFOIL GASKETS)
    - (>600°F REQUIRES GRAFOIL GASKETS & ALUMINOSILICATE GLASS)
  - TRANSPARENT GAGE (W/ MICA) SATURATED STEAM RATING VARIANCE:
    - 600 WSP FOR SIZE 1 GLASS (MAX. RATING)
    - 350 WSP FOR SIZE 9 GLASS (MIN. RATING)
  - REFER TO THE FOLLOWING (FOR):
    - CATALOG BULLETIN J100.09 (FULL RATINGS & ADDITIONAL INFORMATION)
    - IOM BULLETIN J500.05 (INSTRUCTIONS)
    - PRICE SHEET BULLETINS J800.11, 12, 18 (AVAILABLE OPTIONS)
  - CONSULT FACTORY FOR ALTERNATE MATERIAL OPTIONS.
  - FOR 316SS PARTS IN CONTACT REQUESTS, CHAMBER MATERIAL IS 316/316LSS PER A511 GR.MT316/316LSS



SIZE NO.	QTY. PER SECT.		DIM. "C"	NUMBER OF SECTIONS									
	BOLT	NUT		DIMENSION "B"									
				1	2	3	4	5	6	7	8	9	
1	6	3	6	3.750 [95]	3.750 [95]	9.000 [229]	14.250 [362]	19.500 [495]	24.750 [629]	30.000 [762]	35.250 [895]	40.500 [1029]	45.750 [1162]
2	6	3	6	4.750 [121]	4.750 [121]	11.000 [279]	17.250 [438]	23.500 [597]	29.750 [756]	36.000 [914]	42.250 [1073]	48.500 [1232]	54.750 [1391]
3	8	4	8	5.750 [146]	5.750 [146]	13.000 [330]	20.250 [514]	27.500 [699]	34.750 [883]	42.000 [1067]	49.250 [1251]	56.500 [1435]	63.750 [1619]
4	10	5	10	6.750 [171]	6.750 [171]	15.000 [381]	23.250 [591]	31.500 [800]	39.750 [1010]	48.000 [1219]	56.250 [1429]	64.500 [1638]	72.750 [1848]
5	10	5	10	7.875 [200]	7.875 [200]	17.250 [438]	26.625 [676]	36.000 [914]	45.375 [1153]	54.750 [1391]	64.125 [1629]	73.500 [1867]	82.875 [2105]
6	12	6	12	9.125 [232]	9.125 [232]	19.750 [502]	30.375 [772]	41.000 [1041]	51.625 [1311]	62.250 [1581]	72.875 [1851]	83.500 [2121]	94.125 [2391]
7	14	7	14	10.250 [260]	10.250 [260]	22.000 [559]	33.750 [857]	45.500 [1156]	57.250 [1454]	69.000 [1753]	80.750 [2051]	92.500 [2350]	104.250 [2648]
8	16	8	16	11.875 [302]	11.875 [302]	25.250 [641]	38.625 [981]	52.000 [1321]	65.375 [1661]	78.750 [2000]	92.125 [2340]	105.500 [2680]	118.875 [3019]
9	16	8	16	12.625 [321]	12.625 [321]	26.750 [679]	40.875 [1038]	55.000 [1397]	69.125 [1756]	83.250 [2115]	97.375 [2473]	111.500 [2832]	125.625 [3191]

MANUFACTURED BY  
**Clark-Reliance**<sup>®</sup>  
 16633 FOLTZ PARKWAY  
 STRONGSVILLE, OH 44149 USA  
 (440) 572-1500 | www.clarkreliance.com  
 © Clark-Reliance<sup>®</sup> Corporation. All Rights Reserved.

**JERGUSON**<sup>®</sup>  
 SERIES 20 GAGES  
 END CONNECTED  
 (CARBON STEEL)

DRAWN: DDenk  
 CHECKED: MK  
 DATE: 6/13/2013  
 REVISION: 2  
 DRAWING NO.: 20-EC-CS  
 REV.: 2