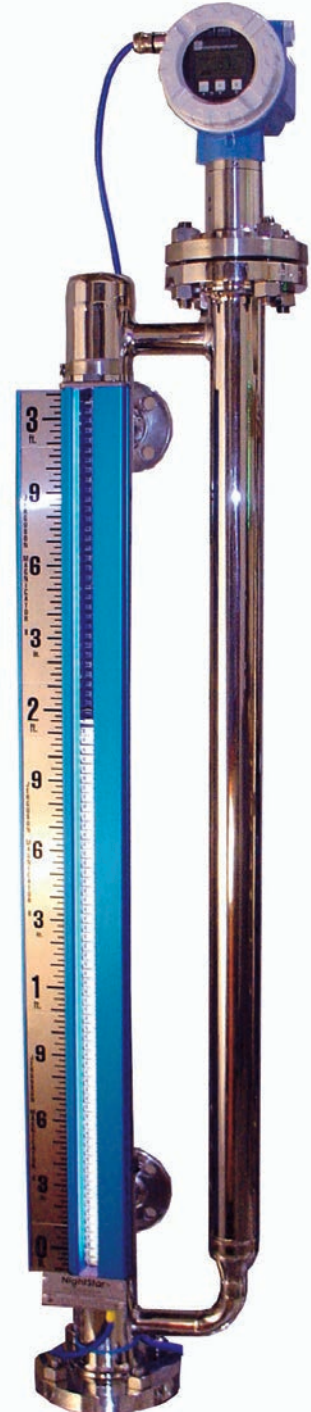


# Magnetic Gage with Guided Wave Radar Transmitter

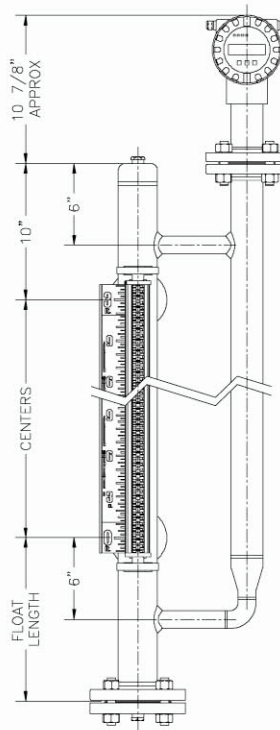
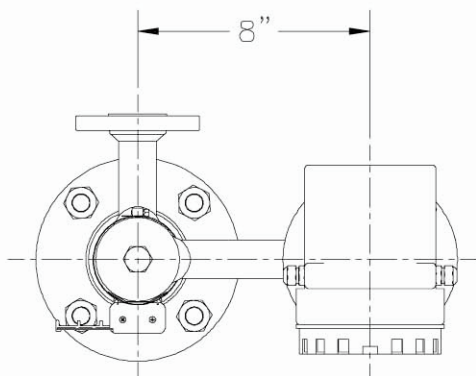
- **Highly Visible Jerguson Magnicator II® Flag System**
- **Independent Guided Wave Radar Level Transmitter**
- **Redundant Level Technology**
- **Increased Plant and Personnel Safety**



**JERGUSON®** is pleased to offer the Model MGWR for the Magnicator II® Level Indicator. The MGWR provides redundant level measurement through the combined use of the reliable Jerguson Magnicator II level gage and an independent Guided Wave Radar level transmitter. The guided wave radar transmitter provides an independent level measurement that is not density dependent, resulting in true redundant technology. Contact your local representative or Jerguson Applications Engineering to configure a Model MGWR for your Magnetic Level Gage.

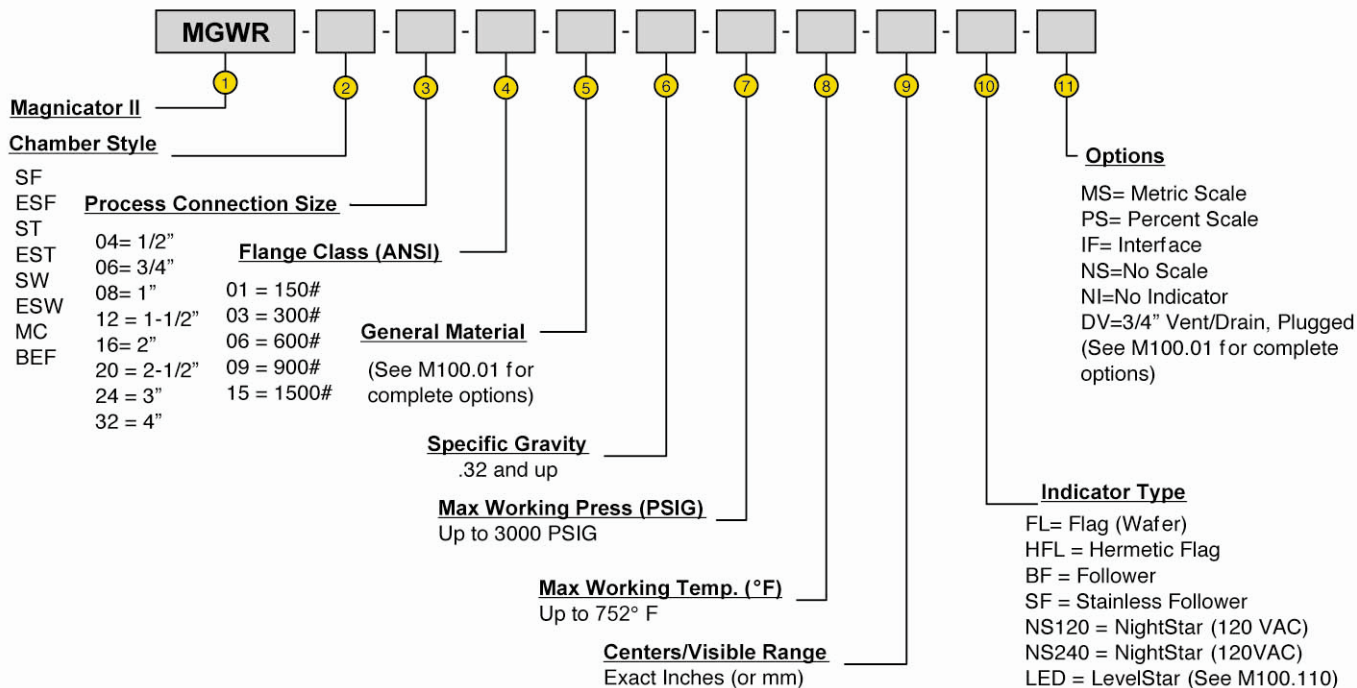


# Model MGWR Magnicator II®



## To Specify a MGWR Chamber on a MAGNicator II®:

Step 1: Configure the Magnetic Gage & By-Pass Chamber per model number below:



Step 2: Specify the Guided Wave Radar level transmitter per applicable bulletin:



Products Manufactured by the Clark-Reliance® Corporation  
16633 Foltz Pkwy., Strongsville, OH 44149 USA  
Telephone: (440) 572-1500 Fax: (440) 238-8828  
www.clark-reliance.com sales@clark-reliance.com

