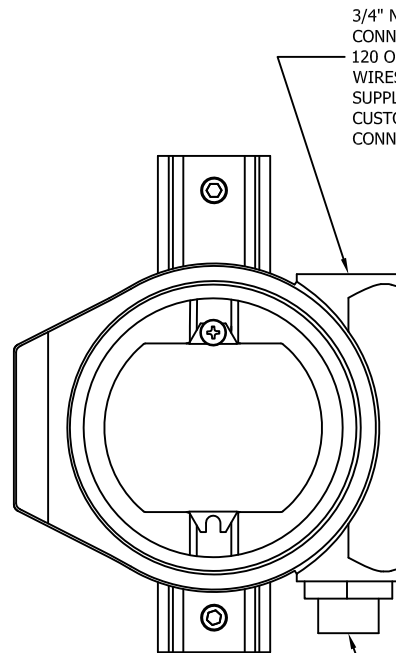
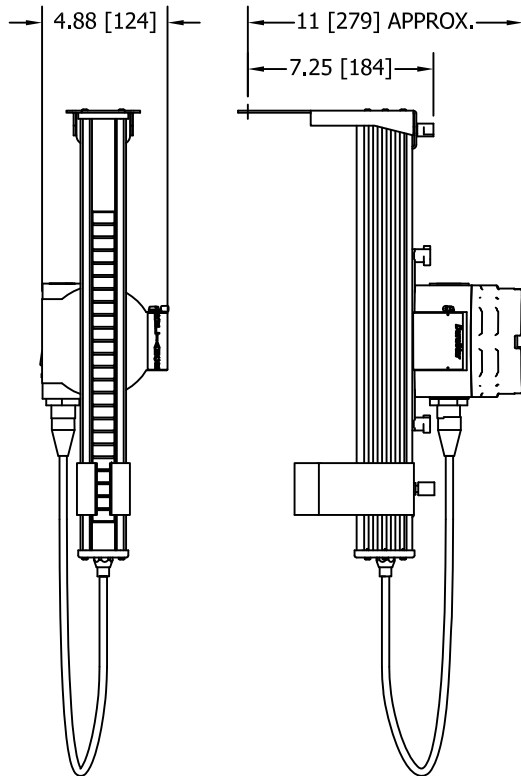


NOTE: ALL FIELD WIRING IS TO BE DONE BY A QUALIFIED ELECTRICIAN IN ACCORDANCE WITH ALL APPLICABLE ELECTRICAL CODES AND ORDINANCES.

POWER SUPPLY CAN BE REMOVED FROM LIGHT BAR AND MOUNTED REMOTELY.

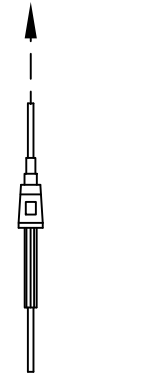
SPECIFICATIONS

POWER SUPPLY: 100-240 VAC @ 50/60 HZ
 POWER CONSUMPTION: <320MA @ 100 VAC
 EST. LIFE: 100,000 HOURS (CONTINUOUS)
 AGENCY APPROVALS: FM ORDINARY LOCATIONS
 CFM ORDINARY LOCATIONS
 WIRE SIZE: MIN. 18 AWG/MAX. 12 AWG
 MAX. DIST. FROM POWER SUPPLY TO LIGHT: 72 FT. (22M)
 AMBIENT TEMPERATURE: -40°F (-40°C) TO 150°F (65°C)
 ELECTRICAL CONNECTION: 3/4" FNPT



3/4" NPT CONDUIT CONNECTION - FEED
 120 OR 240 VAC SUPPLY WIRES TO POWER SUPPLY WIRES - SEE DIAGRAM
 CUSTOMER TO FURNISH CONNECTOR

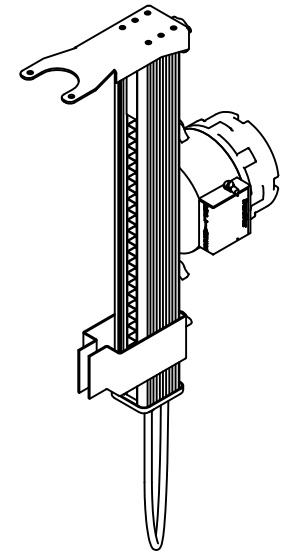
WIRING TO 120/240 VAC POWER SOURCE (PROVIDED BY INSTALLER)
 FIELD WIRING CONNECTIONS



RED WIRE WITH INLINE FUSE HOLDER AND FUSE TO "HOT" CONNECTION

WHITE WIRE TO "NEUTRAL" CONNECTION

WIRING FROM POWER SUPPLY BY CLARK-RELIANCE (FACTORY)



FACTORY CONNECTED DC POWER OUT CORD SET TO LED CONN. ON LIGHT BAR ASSEMBLY

MANUFACTURED BY
Clark-Reliance®
 16633 FOLTZ PARKWAY
 STRONGSVILLE, OH 44149 USA
 PH: 440-572-1500
 WEB: www.clarkreliance.com

CLARK-RELIANCE®

**DURASTAR ILLUMINATOR
 FOR NON-CLASSIFIED AREAS**

PART NUMBER: DS1000-****-*		
TOLERANCE CLASS (PER PES-004):		
MATERIAL:		
REVISION: DRAWING CREATED		
DRAWN: ER	DRAWING NO.:	REV.:
CHECKED: JWK	DS1006	0
DATE: 12/18/13		