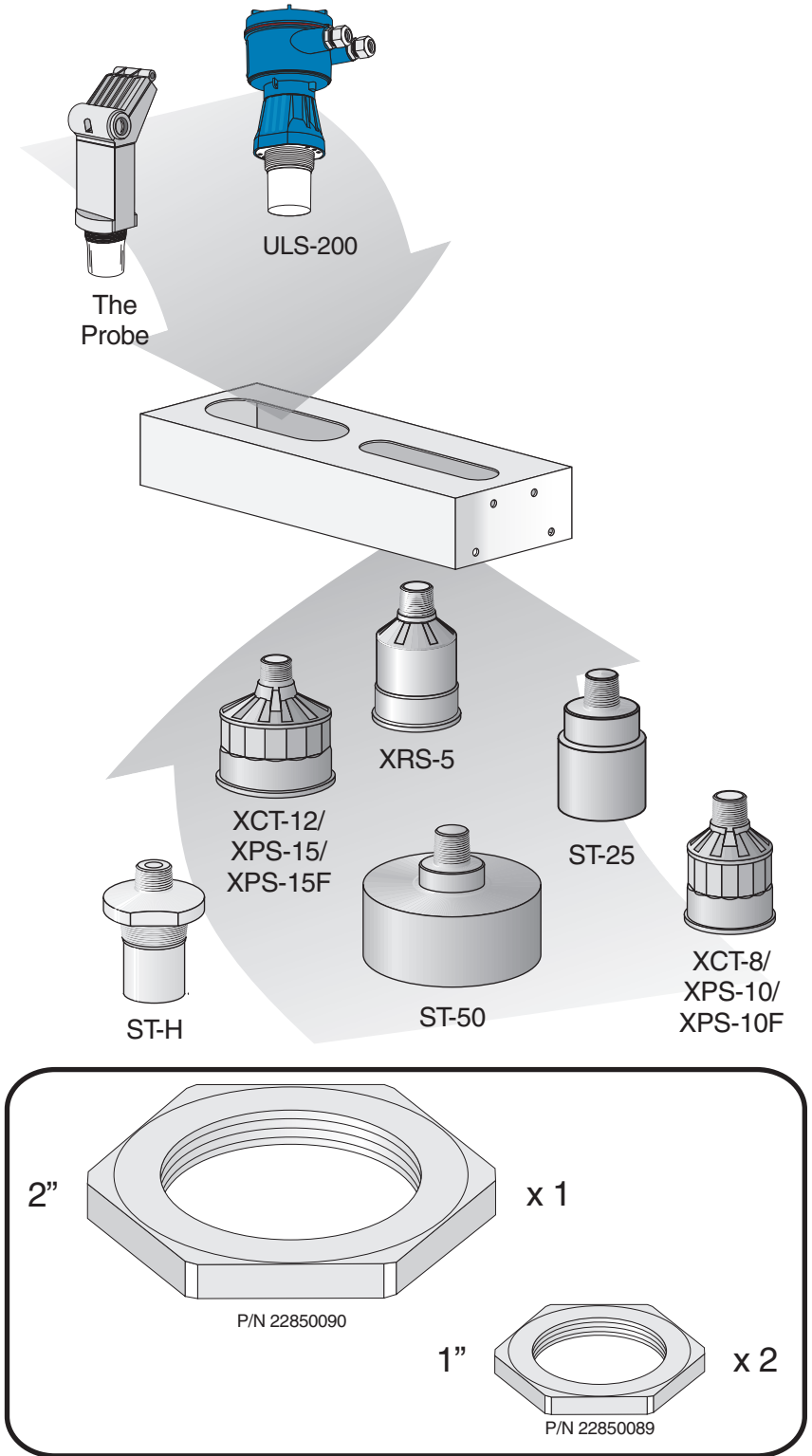


1:1



Canada

1954 Technology Dr., P.O. Box 4225,
Peterborough, Ontario, K9J 7B1
(705) 745-243 Fax: (705) 741-0466

Australia

182 Normanby Rd., Box 339, South Melbourne,
011-613-9695-2400 Fax: 011-613-9695-2450

Belgium

August van de Wielelei 97, 2100 Deurne, Antwerp,
32(0)3326 45 54 Fax: 32(0)3326 05 25

England

Century House, Bridgewater Rd, Worcester, WR4 9ZQ
44 1905 450500 Fax: 44 1905 450501

France

Parc de la Sainte Victoire, Bât. 5, 13590, Meyreuil,
33 4 42 65 69 00 Fax: 33 4 42 58 63 95

Germany

Friedrichstrasse 69, D-76703, Kraichol,
49 (0) 7251/9642-0 Fax: 49 (0) 7251/9642-15

Hong Kong

1 Hei Wen Street, Suite 602, Quarry Bay,
011 852-2856-3166 Fax: 011 852-2856-2962

Mexico

Amores # 1155, Col. Del Valle, 03100, Mexico D.F.,
52 5 575-21-28 Fax: 52 5 575-26-86

The Netherlands

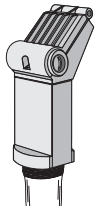
Nikkelstraat 10, NL-4823 AB Breda,
31(0)76 5427 542 Fax: 31(0)76 5428 542

Switzerland

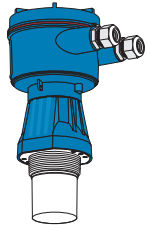
CP 168, Cdt de Plan 23, CH-1095 LUTRY
41 21 791 58 28 Fax: 41 21 791 58 40

USA

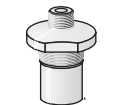
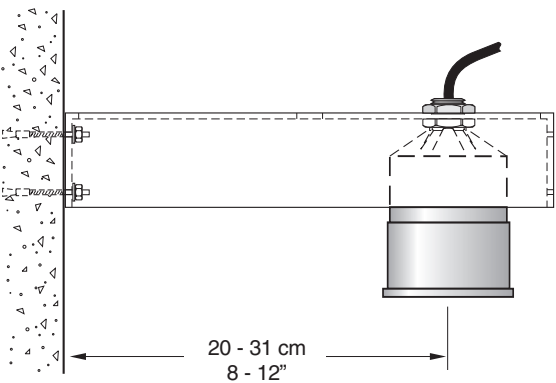
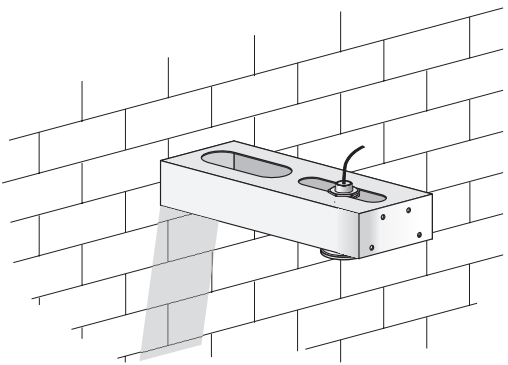
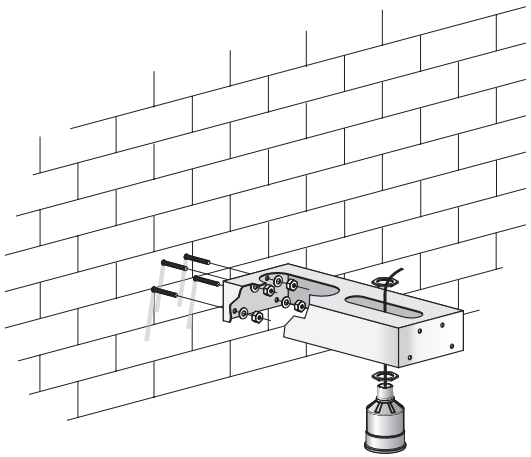
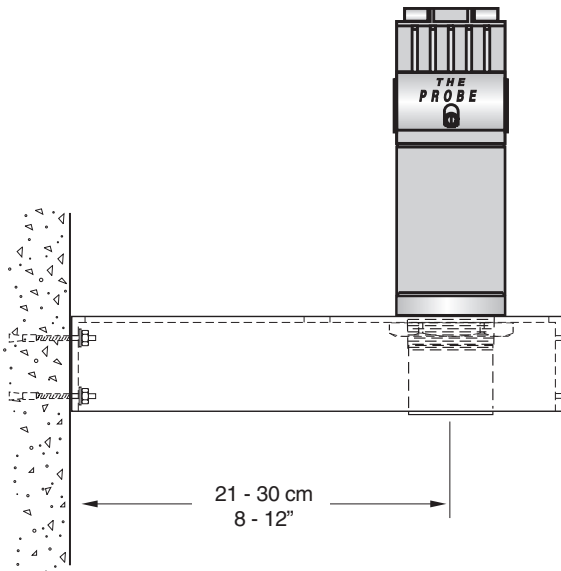
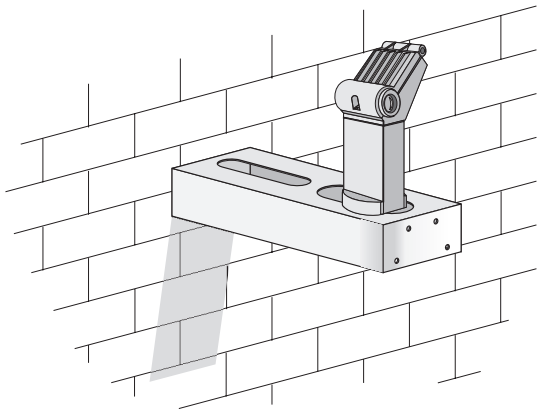
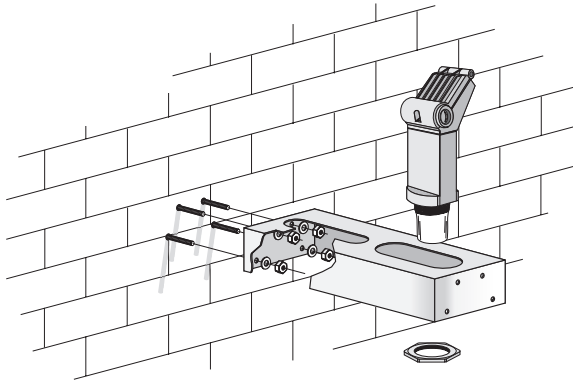
709 Stadium Drive, Arlington, Texas 76011
(817) 277-3543 Fax: (817) 277-3894



The Probe



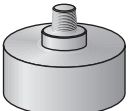
ULS-200



ST-H



ST-25



ST-50



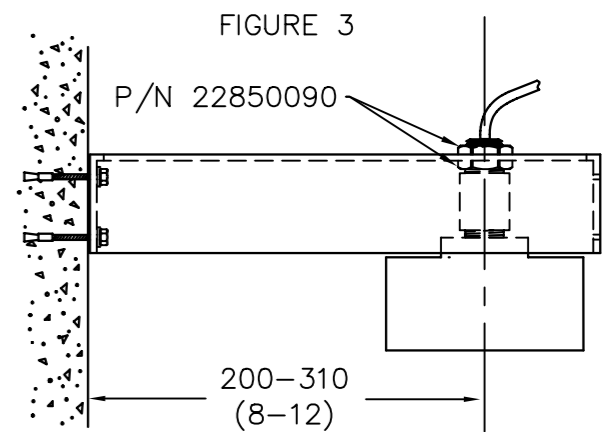
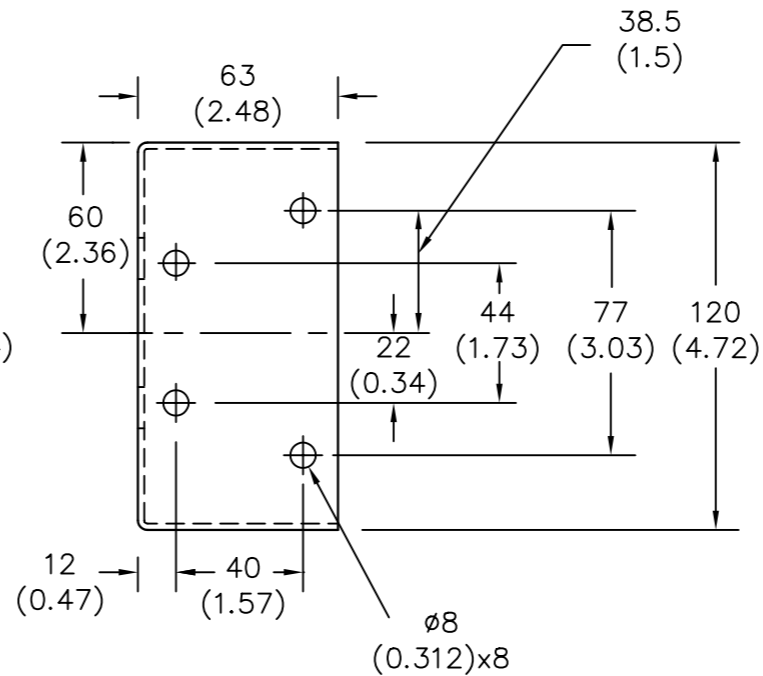
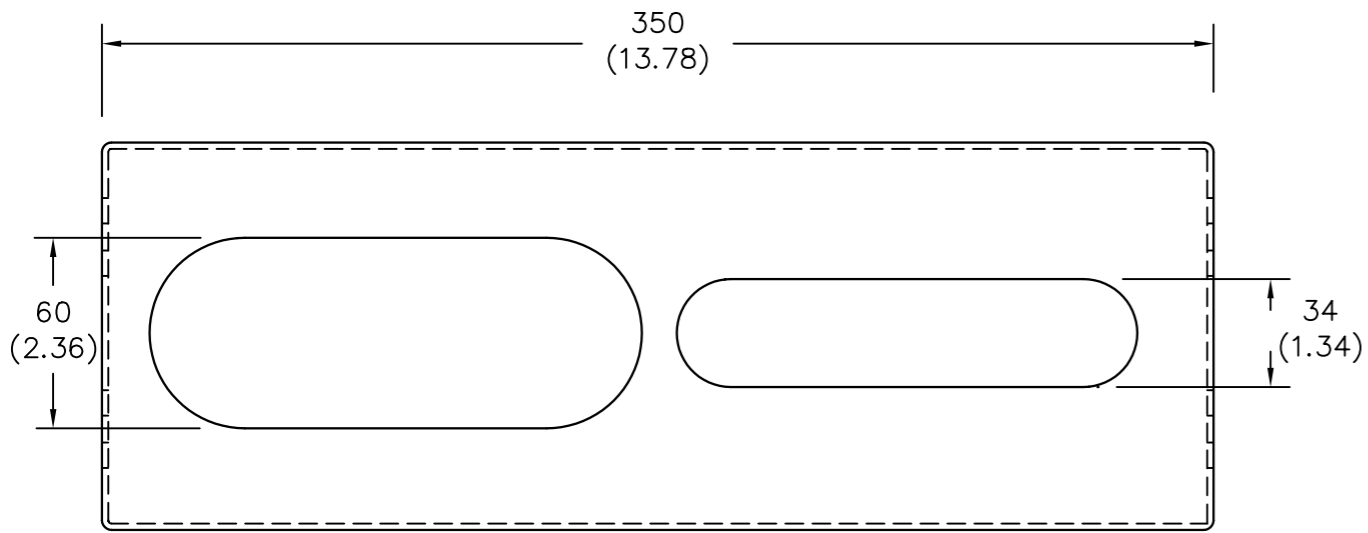
XRS-5



XCT-8/
XPS-10/
XPS-10F

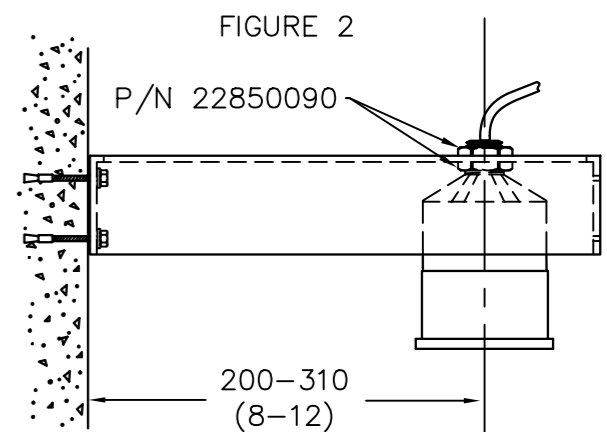
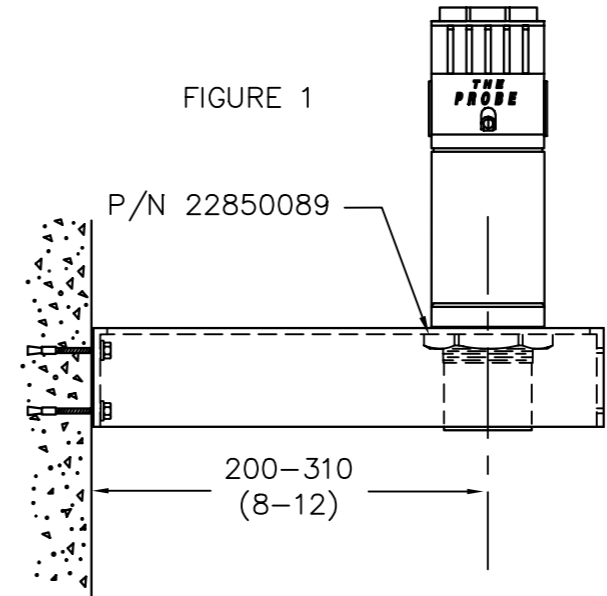


XCT-12/
XPS-15/
XPS-15F



NOTES:

- 1) ALL DIMENSIONS ARE IN mm () DENOTE DIMENSIONS IN INCHES.
- 2) USE TEMPLATE PROVIDED IN INSTRUCTION MANUAL TO LAYOUT HOLES FOR MOUNTING FMS 200.
- 3) MOUNT THE END OF THE FMS 200 BRACKET TO A SOLID VERTICAL SURFACE ENSURING THAT WHEN THE SENSOR IS MOUNTED IT WILL BE THE REQUIRED DISTANCE FROM ANY WALL OR OBSTRUCTION. MAKE SURE THAT THE FMS 200 IS ABLE TO SUPPORT THE WEIGHT OF THE SENSOR, AFTER MOUNTING IS COMPLETE.
- 4) IF MOUNTING A POINTEK ULS OR THE PROBE USE THE 2" MOUNTING NUT P/N 22850090 TO SECURE THE UNIT TO THE FMS 200. REFER TO FIG 1.
- 5) IF MOUNTING A XCT, XPS, XRS OR ST-H TRANSDUCER USE THE TWO MOUNTING NUTS P/N 22850089, ONE ON TOP AND ONE UNDERNEATH TO SECURE THE SENSOR TO THE FMS 200. REFER TO FIG 2.
- 6) IF MOUNTING A ST-25 OR ST-50 TRANSDUCER AN ISOLATION COUPLING MAY BE NEEDED. THEN USE THE TWO MOUNTING NUTS P/N 22850089 TO SECURE THE SENSOR TO THE FMS 200. REFER TO FIG 3.
- 7) FOR FURTHER DETAILS REFER TO THE INSTRUCTION MANUAL OR CONTACT YOUR MILLTRONICS REPRESENTATIVE.



USE DIMENSIONS ONLY - DO NOT SCALE		0	FOR CONSTRUCTION	RPC	CAC	DEC 6/99
		No.	REVISION DESCRIPTION	DWG BY	APPRO.	DATE
<p>CONFIDENTIAL IMPORTANT NOTICE</p> <p>THIS DOCUMENT REMAINS THE PROPERTY OF MILLTRONICS AND IS SUBJECT TO RECALL. IT MAY NOT BE COPIED, AND IS ISSUED AND CAN BE UTILIZED ONLY FOR SUCH LIMITED PURPOSES AS MAY SPECIFICALLY HAVE BEEN AUTHORIZED BY MILLTRONICS. IT IS TO BE MAINTAINED CONFIDENTIAL, SINCE IT MAY CONTAIN PROPRIETARY INFORMATION AND TRADE SECRETS OF MILLTRONICS OR OTHERS. THE ITEMS DEPICTED MAY THEMSELVES BE THE SUBJECT OF PATENTS, INDUSTRIAL DESIGN REGISTRATIONS OR COPYRIGHTS OF MILLTRONICS OR OTHERS, AND THE ISSUE OF THIS DRAWING DOES NOT IMPLY ANY LICENSE UNDER ANY SUCH RIGHTS.</p> <p>COPYRIGHT MILLTRONICS ALL RIGHTS RESERVED</p>	DRAWING SCALE NONE	TOLERANCES UNLESS OTHERWISE NOTED 1 PLACE DECIMAL ±0.3 2 PLACE DECIMAL ±0.10 3 PLACE DECIMAL N/A	FRACTIONS	THIRD ANGLE PROJECTION		
	DRAWN BY R. CLYSDALE	TITLE FMS 200 CUSTOMER INSTALLATION DRAWING		<p>PETERBOROUGH, ONTARIO, CANADA.</p>		
	CHECKED BY I. WATSON	FILE No. 2365010100				
	APPROVED BY A. CARLSON	PLOT AT 1=1		JOB No.		SHEET 1 OF 1