



## SERIES 626 & 628 | INDUSTRIAL PRESSURE TRANSMITTER/TRANSDUCER



626/628 pressure transmitters with general purpose housing (-GH)



626/628 pressure transmitters with conduit box housing (-CB) and LCD display

### FEATURES/BENEFITS

#### Standard:

- NEMA 4X rated enclosure
- Robust 316L SS oil filled sensor
- CE approved design
- 626: 0.25% FS
- 628: 1.0% FS

#### Optional:

- Advanced environmental protection
- C-276 wetted materials
- Digital or analog outputs (I2C)
- Custom range configuration
- Overpressure and/or vacuum protection

### APPLICATIONS

- Booster stations
- Pumping systems
- Irrigation equipment
- PTO systems
- Submersible pump control

### DESCRIPTION

The **Series 626 & 628 Pressure Transmitters** feature a piezo-resistive sensor contained in a compact, rugged, NEMA 4X (IP66) stainless steel general purpose housing or cast aluminum conduit housing.

Dwyer offers optional configurations to address multiple common points of failure that have traditionally challenged the use of similar products in extreme conditions. The 626 & 628 are uniquely suited for precision irrigation and additional outdoor power equipment applications. The corrosion resistant 316L stainless steel wetted parts allow the Series 626 & 628 transmitters to measure pressure in a multitude of processes from simple irrigation systems to chemical dosing and injection systems. Optional wetted materials such as C-276 offer chemical compatibility with aggressive media. The 626 & 628 can be configured to provide advanced environmental protection. This includes, but is not limited to, freeze/thaw protection for outdoor cold weather applications, vibration resistance, and/or overpressure protection to protect the sensors against pressure surges or pump cavitation. The Series 626 & 628 are available in absolute and gauge pressure ranges with a variety of optional outputs, process connections, electrical terminations, and select agency approvals to allow you to select the correct transmitter for your application.

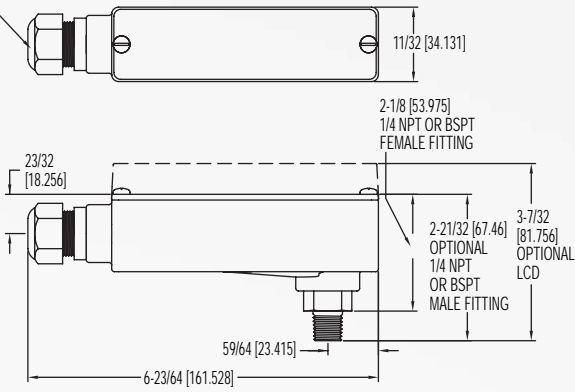
Contact Dwyer Instruments today to discuss your specific application needs.

## SPECIFICATIONS

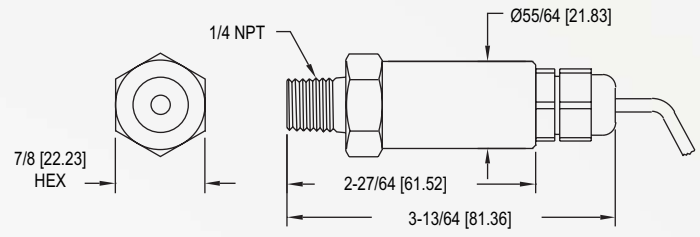
<b>Service</b>	Compatible gases and liquids.
<b>Wetted Materials</b>	Type 316L SS. (Consult factory for additional options)
<b>Accuracy</b>	626: 0.25% FS, 0.20% RSS; 628: 1.0% FS, 0.5% RSS; 626 absolute ranges: 0.5% FS, 0.30% RSS. (Includes linearity, hysteresis, and repeatability).
<b>Temperature Limit</b>	0 to 200°F (-18 to 93°C).
<b>Compensated Temperature Range</b>	0 to 175°F (-18 to 79°C).
<b>Thermal Effect</b>	±0.2% FS/°F (includes zero and span).
<b>Pressure Limits</b>	See table on catalog page.
<b>Display</b>	Optional 4-1/2 digit LCD field attachable display. For -CB option.
<b>Power Requirement</b>	10-30 VDC (for 4-20 mA, 0-5, 1-5, VDC outputs); 13-30 VDC (for 0-10 VDC output); 5 VDC ±0.5 VDC (for 0.5-4.5 VDC ratiometric output), 10-35 VDC (for 4-20 mA with -CB option); 13-35 VDC or isolated 16-33 VAC (for selectable output with -CB option).
<b>Output Signal</b>	4-20 mA, 0-5 VDC, 1-5 VDC, 0-10 VDC, or 0.5-4.5 VDC, or selectable 0-5, 1-5, 0-10, 2-10 VDC for -CB option.
<b>Response Time</b>	300 ms.
<b>Loop Resistance</b>	0 to 1000 Ω max. R max = 50 (Vps-10) Ω (4-20 mA output), 0 to 1250 Ω max. Rmax = 50(Vps-10) Ω (4 to 20 mA output with -CB option), 5K Ω (0-5, 1-5, 0-10, 0.5-4.5 VDC output).
<b>Stability</b>	1.0% FS/year (typ).
<b>Current Consumption</b>	38 mA maximum (for 4-20 mA output); 10 mA maximum (for 0-5, 1-5, 0-10, 0.5-4.5 VDC output); 140 mA maximum (for all 626/628/629-CH with optional LED).
<b>Electrical Connections</b>	See model chart.
<b>Process Connections</b>	See model chart.
<b>Enclosure Rating</b>	NEMA 4X (IP66).
<b>Weight</b>	10 oz (283 g).
<b>Agency Approvals</b>	Standard: CE; Optional: NSF/ANSI 61/372, ANSI/UL 218, ANSI/UL 508, NEPA 20.

## DIMENSIONS

LIQUID TIGHT FITTING  
CORD DIAMETER RANGE  
.200 TO .350  
(5.08 TO 8.89)



Conduit housing



General purpose housing

## HOW TO ORDER

Use the **bold** characters from the chart below to construct a product code.

	<b>626</b>	<b>-05</b>	<b>-GH</b>	<b>-P3</b>	<b>-E1</b>	<b>-S1</b>	<b>-NIST</b>	
<b>SERIES</b>	<p><b>626:</b> 0.25% full scale accuracy  <b>628:</b> 1.0% full scale accuracy</p>							<p><b>OPTIONS</b></p> <ul style="list-style-type: none"> <li>-AT: Aluminum tag</li> <li>-LED: Bright red LED display</li> <li>-NIST: NIST traceable calibration certificate</li> <li>-NW: NSF/ANSI 61/372 certified</li> </ul>
<b>RANGE</b>	<p><b>-00:</b> 0 to 15 psia*                      <b>-14:</b> 0 to 500 psi  <b>-01:</b> 0 to 30 psia*                      <b>-22:</b> 0 to 600 psi  <b>-02:</b> 0 to 50 psia*                      <b>-15:</b> 0 to 1000 psi  <b>-03:</b> 0 to 100 psia*                      <b>-16:</b> 0 to 1500 psi  <b>-04:</b> 0 to 200 psia*                      <b>-18:</b> 0 to 3000 psi  <b>-05:</b> 0 to 300 psia*                      <b>-19:</b> 0 to 5000 psi  <b>-06:</b> 0 to 5 psi                              <b>-26:</b> 0 to 8000 psi  <b>-07:</b> 0 to 15 psi                           <b>-67:</b> 0 to 0.5 bar*  <b>-08:</b> 0 to 30 psi                           <b>-71:</b> 0 to 2.5 bar*  <b>-09:</b> 0 to 50 psi                           <b>-75:</b> 0 to 10 bar*  <b>-10:</b> 0 to 100 psi                           <b>-81:</b> 0 to 40 bar*  <b>-11:</b> 0 to 150 psi  <b>-12:</b> 0 to 200 psi                           *Only available on  <b>-13:</b> 0 to 300 psi                           -GH housing models</p>						<p><b>SIGNAL OUTPUT</b></p> <ul style="list-style-type: none"> <li>-S1: 4-20 mA</li> <li>-S2: 1-5 VDC</li> <li>-S4: 0-5 VDC</li> <li>-S5: 0-10 VDC</li> <li>-S7: 0.5-4.5 VDC</li> <li>-S8: 0-5, 1-5, 0-10, 2-10 VDC</li> </ul>	
<b>HOUSING</b>	<p><b>-CB:</b> Conduit box housing  <b>-GH:</b> General purpose housing</p>							<p><b>ELECTRICAL CONNECTIONS</b></p> <ul style="list-style-type: none"> <li>-E1: Cable gland with 3' of prewired cable</li> <li>-E3: Cable gland with 9' of prewired cable</li> <li>-E4: DIN EN 175801-803-C</li> <li>-E5: 1/2" female NPT conduit</li> <li>-E6: M-12 4-pin connector UL listed</li> <li>-E8: Packard connector</li> <li>-E9: M-12 4-pin connector non-UL listed</li> </ul>
								<p><b>PROCESS CONNECTIONS</b></p> <ul style="list-style-type: none"> <li>-P1: 1/4" male NPT</li> <li>-P2: 1/4" female NPT</li> <li>-P3: 1/4" male BSPT</li> <li>-P5: 1/4" female SAE with refrigerant valve depressor</li> <li>-P9: 1/2" male NPT</li> </ul>

## ACCESSORIES

Model	Description
<b>A-164</b>	16.4' (5 m) cable with M-12 4-pin female connector
<b>A-62X-LCD</b>	Field-upgradeable LCD
<b>A-960</b>	3' (1 m) Packard cable
<b>A-961</b>	9' (3 m) Packard cable
<b>A-962</b>	20' (7 m) Packard cable

**ORDER ONLINE TODAY!**

[dwyer-inst.com/Product/Series626-628](http://dwyer-inst.com/Product/Series626-628)



**DWYER INSTRUMENTS, INC.**