

Thank You for Attending Today's Webinar:

Radiometric Weighing and Mass Flow Measurement



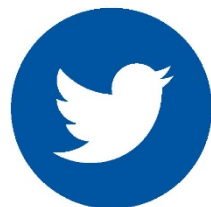
Your Host

Mike DeLacluyse
President
Lesman Instrument Co
miked@lesman.com



Featured Speaker

Becky Olliges
Sales Engineer
Ronan Engineering
bolliges@ronanmeasure.com



Follow the Conversation LIVE
[@Lesman_Inst](https://twitter.com/Lesman_Inst) [#LesmanWebinar](https://twitter.com/LesmanWebinar)

EXCELLENCE IN
MONITORING &
MEASUREMENT

Non-Contact Nuclear Measurement

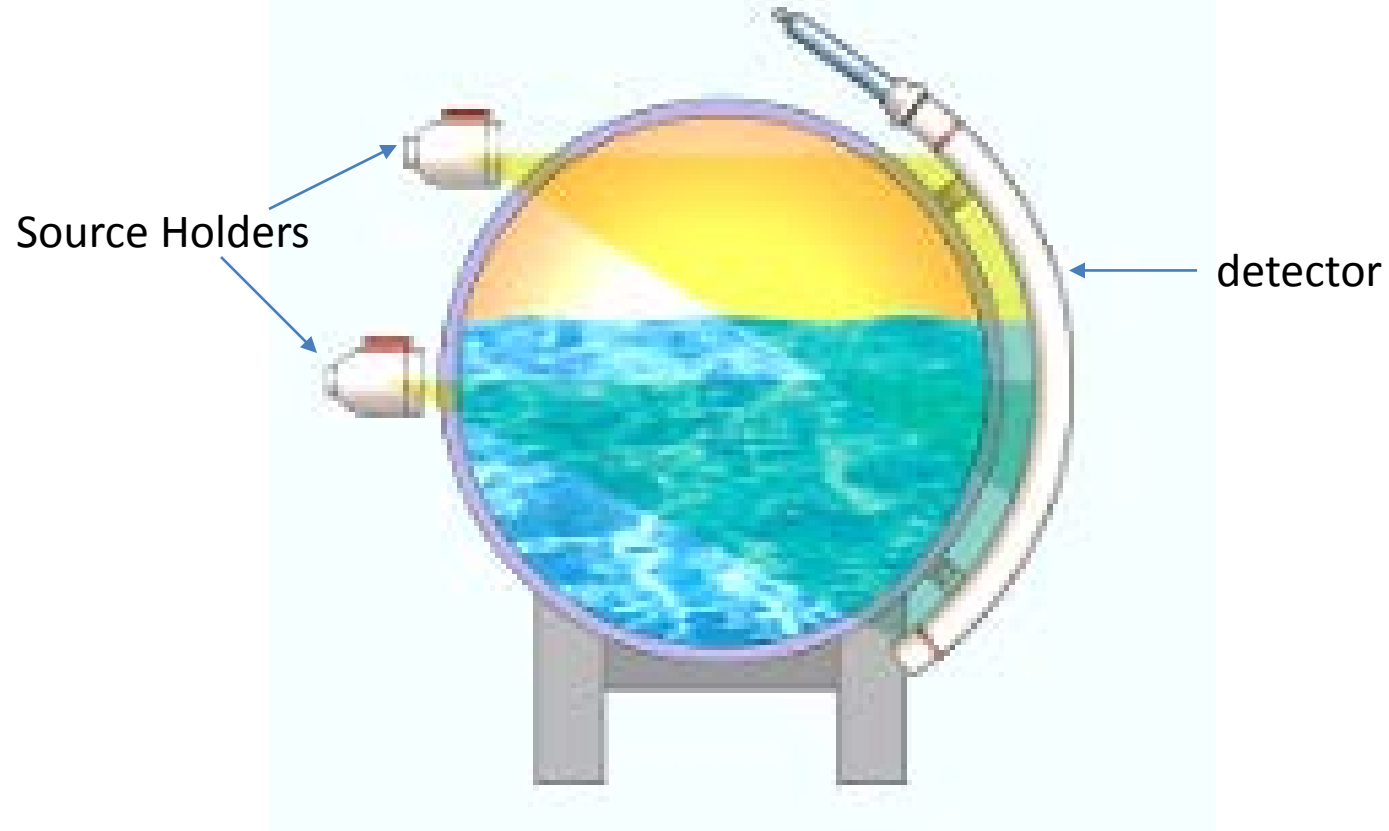
Technology Basics



Agenda

- Goal: To provide an overview of gamma measurement technology so you will see its benefits and feel more comfortable using it.
- Roadmap:
 - Theory
 - Product Benefits
 - Measurements
 - Density
 - Weight
 - Level
 - Where used

Theory of Operation



Theory of Operation cont'd

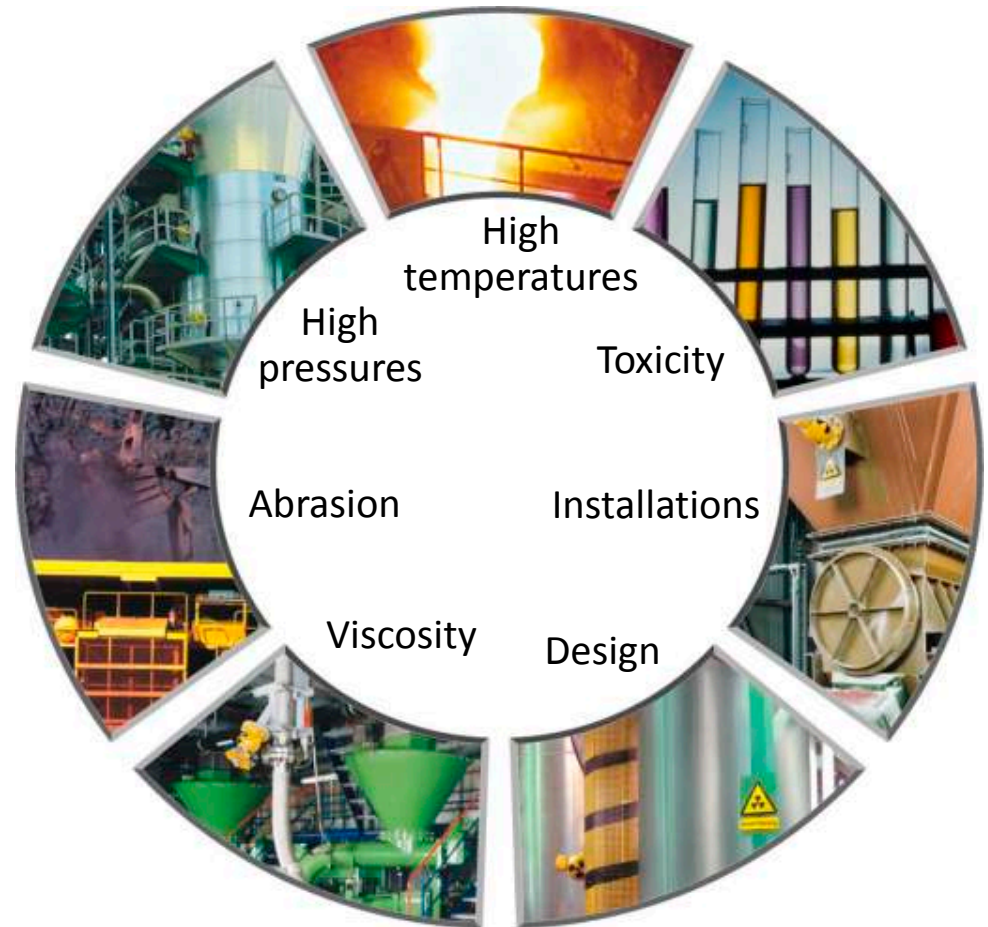
- All systems operate on the same theory:
 - As the process increases, the signal reaching the detector will decrease.
 - Detector measures the change in Radiation (Number of Photons) reaching it
 - Sends a proportional signal to the transmitter, correlates the signal to a measurement output in customer-specified units

Product Features/Benefits

- All gauges are
 - Non-Contact Measurements
 - Mount Externally to
 - Vessels
 - Pipes
 - Conveyors
 - with Little to no Modifications Required
 - Free of wear and maintenance

When used?

- Other measurement methods fail because of extreme process conditions such as...

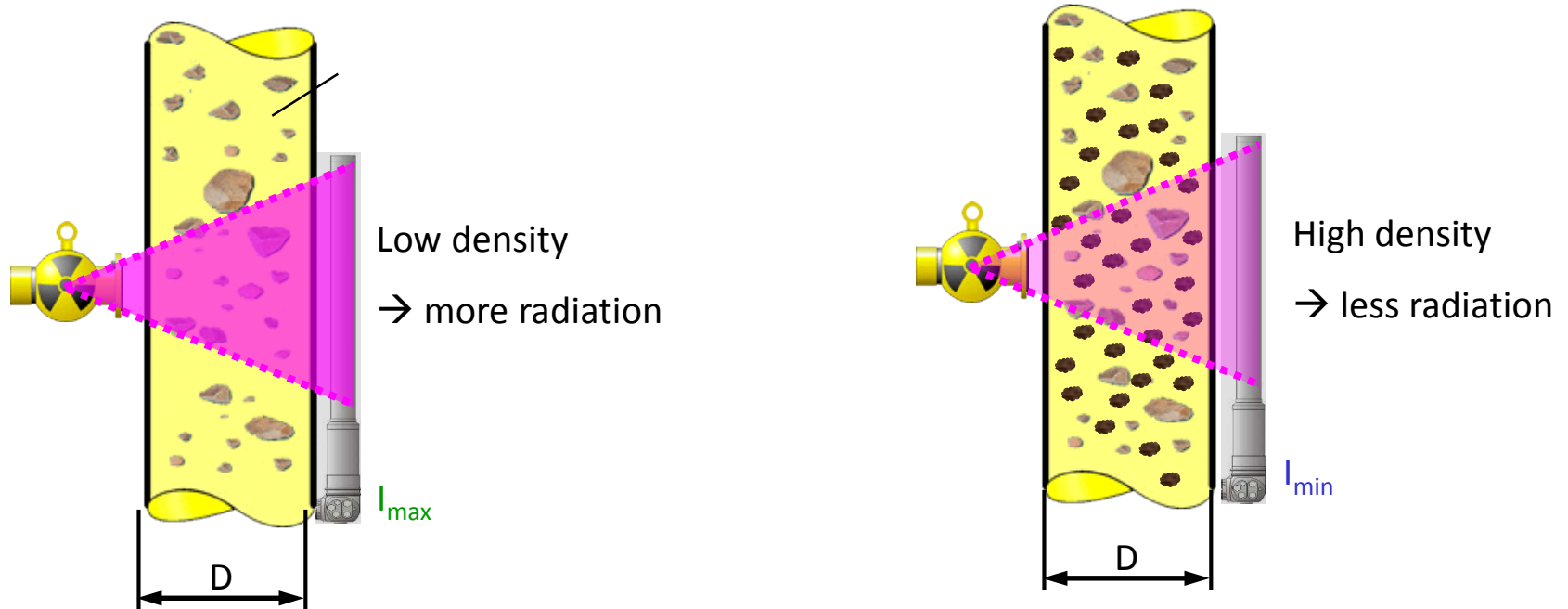


Types of Measurements

- DENSITY of process in a pipe
 - Mass Flow
- WEIGHT of process on a belt or screw conveyor
 - Mass Flow
- LEVEL of process in a vessel
 - Continuous Level
 - Point Level
 - Steel Mill Mold Level

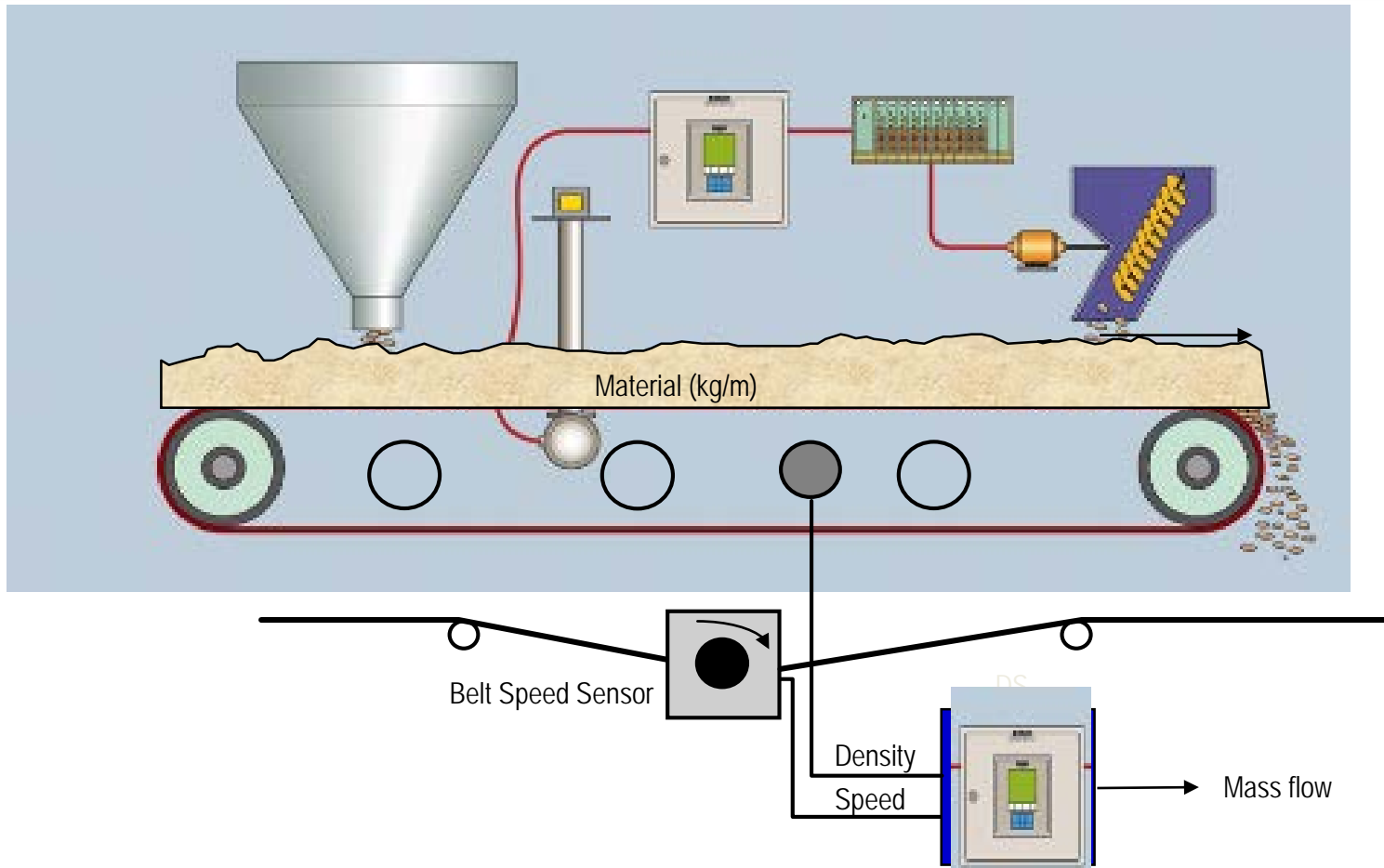


Density Principle

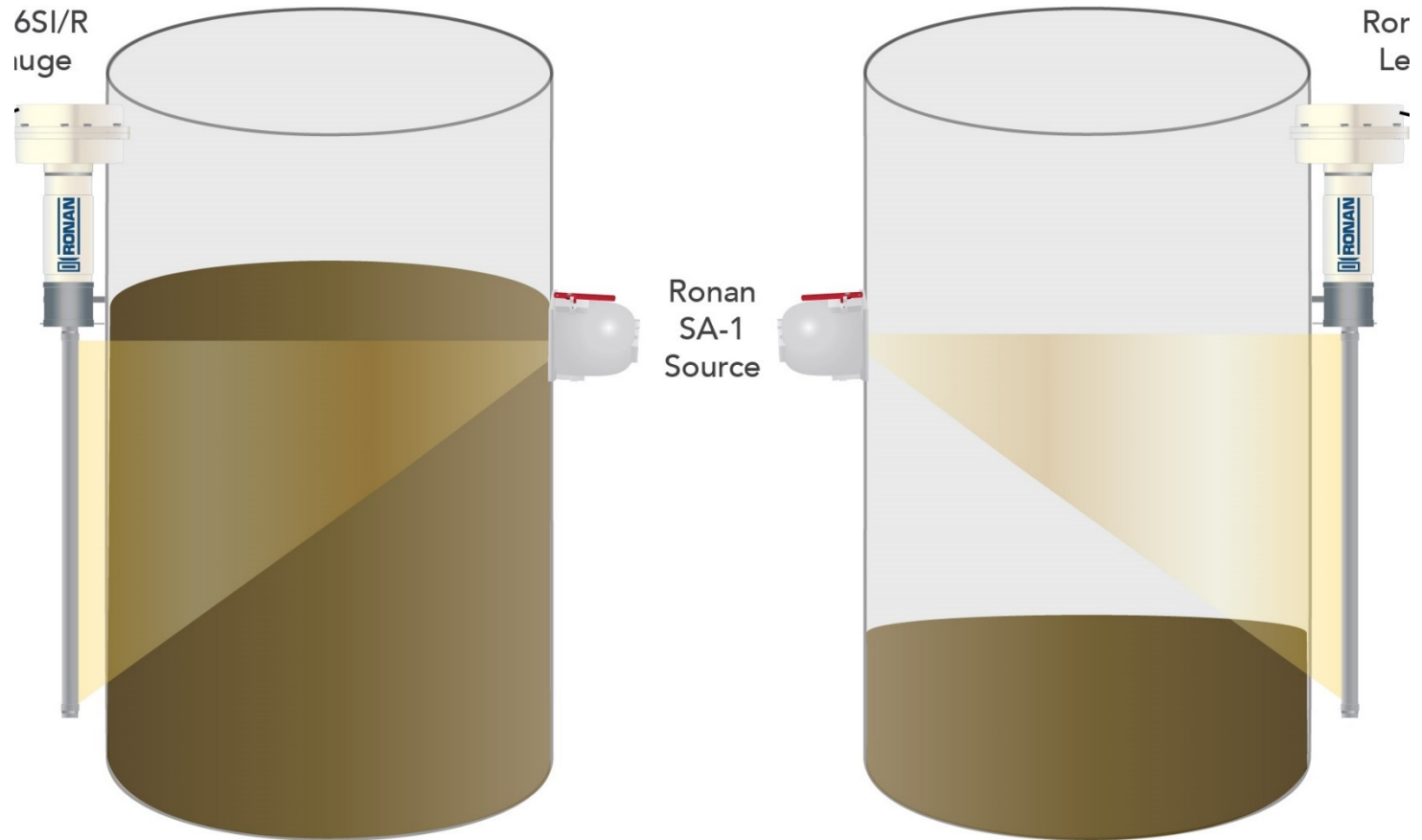


- Mass flow = add an inline flowmeter

Weight Principle

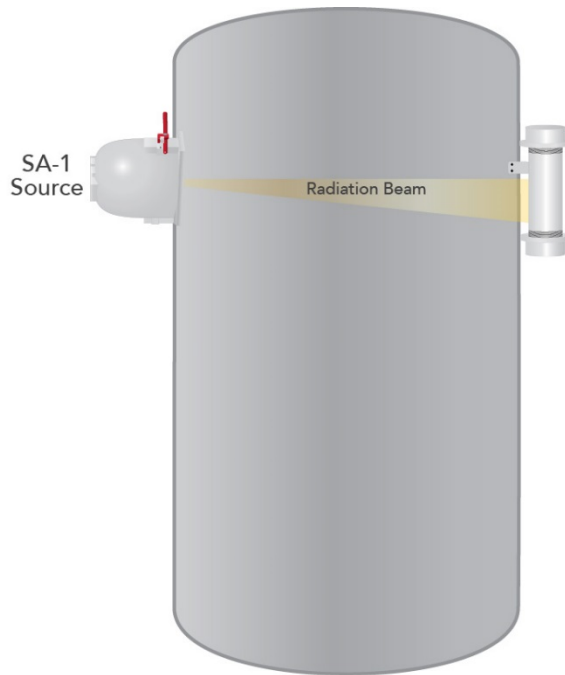


Level Principle

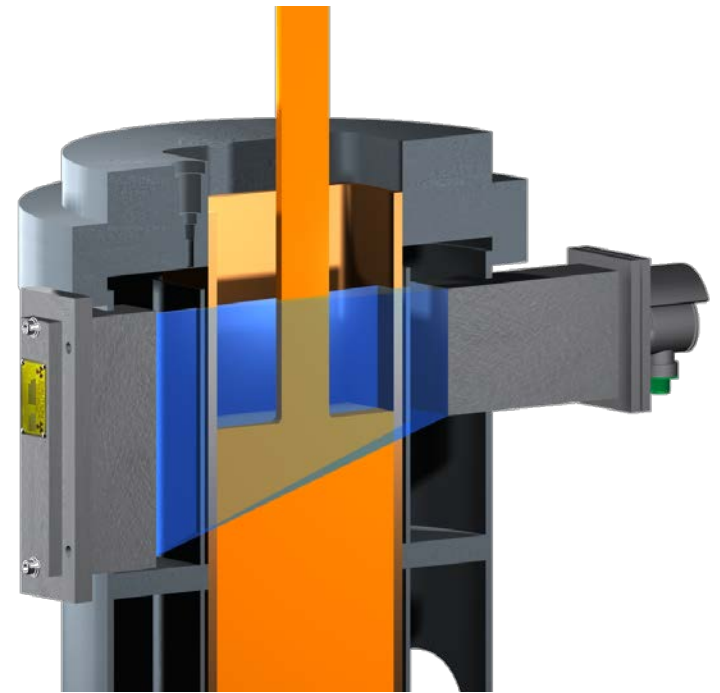


Level cont'd

- Point Level

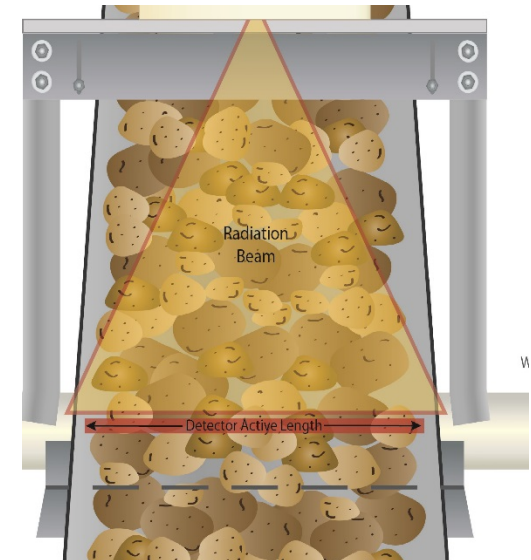


Steel Mold Level



Industries

- Mining and Aggregates
- Power
- Refining, Oil and Gas
- Chemical
- Metals
- Pulp and Paper
- Dredging
- Cement
- Food and Beverage



Wrapup

- Goal: To provide an overview of gamma measurement technology so you will see its benefits and feel more comfortable using it.
- Roadmap:
 - Theory
 - Product Benefits
 - Measurements
 - Density
 - Weight
 - Level
 - Where used

EXCELLENCE IN
MONITORING &
MEASUREMENT

Are you interested?

Get Social with Lesman



blog.lesman.com



[www.linkedin.com/company/
lesman-instrument-company](http://www.linkedin.com/company/lesman-instrument-company)



[@Lesman_Inst](https://twitter.com/Lesman_Inst)



[www.youtube.com/user/
LesmanInstrumentCo](http://www.youtube.com/user/LesmanInstrumentCo)

Upcoming Webinar:

ASCO Troubleshooting & Repairs

Tuesday, January 17 9 am CST



Featured Speaker

Mike Unterreiner

Sr. Process Specialist

ASCO/Emerson

Webinar invitation e-mail coming soon...