



Description

The 60 series pH and ORP sensors are dependable industrial grade sensors designed to provide accurate measurement and longer service life under the most demanding conditions. The P60C6 pH sensor incorporate all the benefits of differential measurement found in other models of the 60 series, field proven in thousands of installations. This technique uses two glass electrodes to make the measurement differentially with respect to a third metal electrode.

This second electrode is protected from the process by a double junction replaceable salt bridge. The resulting true differential measurement has several advantages over conventional sensors: ground loop problems are virtually eliminated, and the salt bridge is easily replaced. If the internal solution becomes contaminated, the sensor can be rejuvenated at modest cost by replacing the salt bridge and reference solution. Automatic temperature compensation is accomplished through the use of an embedded Pt1000 RTD inside the tip of the ground rod. This Pt1000 RTD placement provides rapid response for process temperature variations.

The unique P60C6 probe mounts in a standard 1-1/4" NPT tee, or in a tank, through a specially designed CPVC compression fitting. This technology provides several important advantages: the sensor enters straight into the fitting eliminating twisting of the cable; the pipe size is only 1-1/4" NPT;

the insertion length is variable between 7/8" and 5"; one model is used for both flow-through and submersion tank-mount.

Installation does not require a pipe wrench, strap wrench or thread sealant on the probe. This helps to reduce down time for calibration.

The encapsulated preamplifier provides an output signal which can be transmitted 3000 feet over inexpensive cable. For greater distances, see the P65 data sheet for the sensor that encapsulates a blind 4-20 mA two-wire transmitter which can transmit a virtually unlimited distance over a twisted pair cable.

Features

- Differential Measurement
- Replaceable Salt Bridge
- Low Maintenance Cost
- Easy in: no twisted cable
- Easy out: no special tools
- Adjustable insertion depth
- Easy Cleaning
- Encapsulated Preamp Transmits up to 3000 ft
- 4-20 mA two-wire blind transmitter version available
- Flat-faced and Hardened glass version available for pH

Applications

- Process Control
- Industrial and Municipal Water Treatment
- Industrial and Municipal Waste Treatment and Neutralization
- Fume Scrubbers, Circuit Board Manufacturing, Plating, Food and Beverage, Chemical Processing, Pulp and Paper, Mining, Power Generation, Pharmaceuticals



AquaMetrix
by  Water Analytics

100 School Street
Andover, MA 01810
978-749-9949

Toll free 855-pH Probe
(855-747-7623)

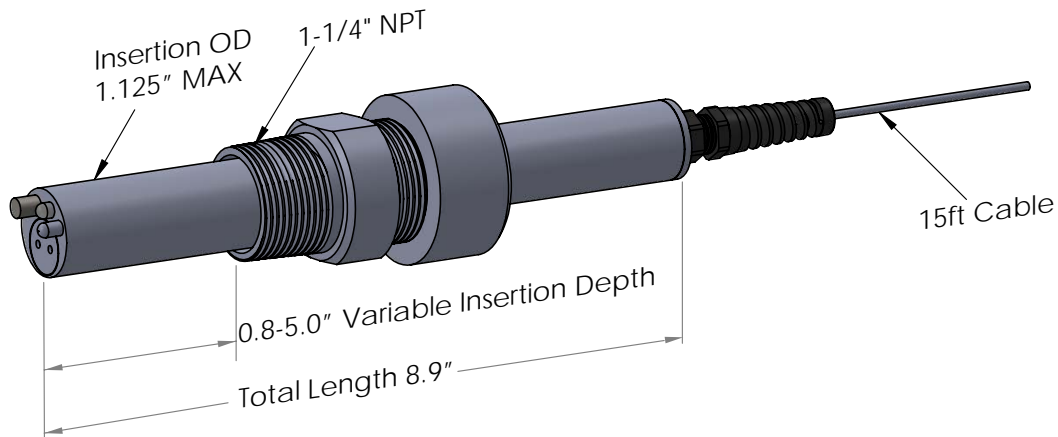
www.WaterAnalytics.net

Model P60C6 Variable Insertion pH Sensor

Technical Data

Measuring Range	0 to 14 pH (Consult factory for applications below 2 or above 12).	Stability	0.03 pH/day, non-cumulative
Wetted Materials	CPVC, kynar, glass, titanium palladium alloy and EPDM	Sensitivity	0.01 pH
Temperature Limits	-5 to 95°C (23 to 203°F) The temperature limit of probes in flow-through applications is limited by pressure and by the pipe fitting material.	Accuracy	± 0.02 pH
Maximum Pressure	100 psig at 65°C maximum	Sensor Cable	5 Conductor plus shield, 15 ft. (4.6m)
Maximum Flow Rate	10 ft. (3 meters) per second		
Automatic Temperature Compensation	Standard PT1000Ω RTD Optional ATC: 300 NTC		

Dimensions



Related Products

ACCESSORIES

AM-SBK-567	Salt bridge kit for -7 series sensor (3 Pack)
AM-CBL60	Extension cable for 60 series
AM-JB1	NEMA 4X junction box

CALIBRATION SOLUTIONS

AM-PH4-1P	pH 4 Buffer, 1 pint (500 mL)
AM-PH7-1P	pH 7 Buffer, 1 pint (500 mL)
AM-PH10-1P	pH 10 Buffer, 1 pint (500 mL)

Ordering Information

P60C6-015	pH sensor, with 1.25" compression fitting for variable insertion
P60C6H-015	pH sensor with Hard glass electrode
P60C6F-015	pH sensor with flat faced electrode
P60C6N-015	pH sensor with 300NTC thermistor

ANALYZERS

AM-2250	Multi-Parameter Controller
AM-2250TX	Multi-Parameter Transmitter
AM-2251	Multi-Parameter Controller