



RDP-102  
 REMOTE DISPLAY PANEL  
 AC CONTROLS PART # 300-10002

LOOP POWERED  
 FOR USE WITH FEET AND INCHES ENGINEERING UNITS



AC Technical Services  
 8600 Westmoreland Dr. NW  
 Concord, NC 28027

P (704) 573-7005  
 F (704) 573-7008  
[www.actecser.com](http://www.actecser.com)

CLIENT:  
 AC CONTROLS  
 8600 WESTMORELAND DR. NW  
 CONCORD, NC 28027

ENGINEER:

GENERAL CONTRACTOR:

FABRICATION DRAWINGS										DESCRIPTION

DATE	REV
1/23/2024	0

NOTICE:  
 THIS DRAWING WAS PRODUCED FOR THE REFERENCED PROJECT ONLY. IT MAY NOT BE REPRODUCED, COPIED, PUBLISHED, OR USED IN ANY OTHER WAY WITHOUT THE WRITTEN PERMISSION OF AC TECHNICAL SERVICES, INC.

PROJECT:  
 REMOTE DISPLAY PANEL

APPROVED BY: ---	DATE: --/--/--
---------------------	-------------------

DEVELOPED BY: BWR	DATE: 1/23/2024
----------------------	--------------------

TITLE:  
 COVER PAGE

DRAWING NO: 300-10002	SHEET: 00A	REV: 0
--------------------------	---------------	-----------

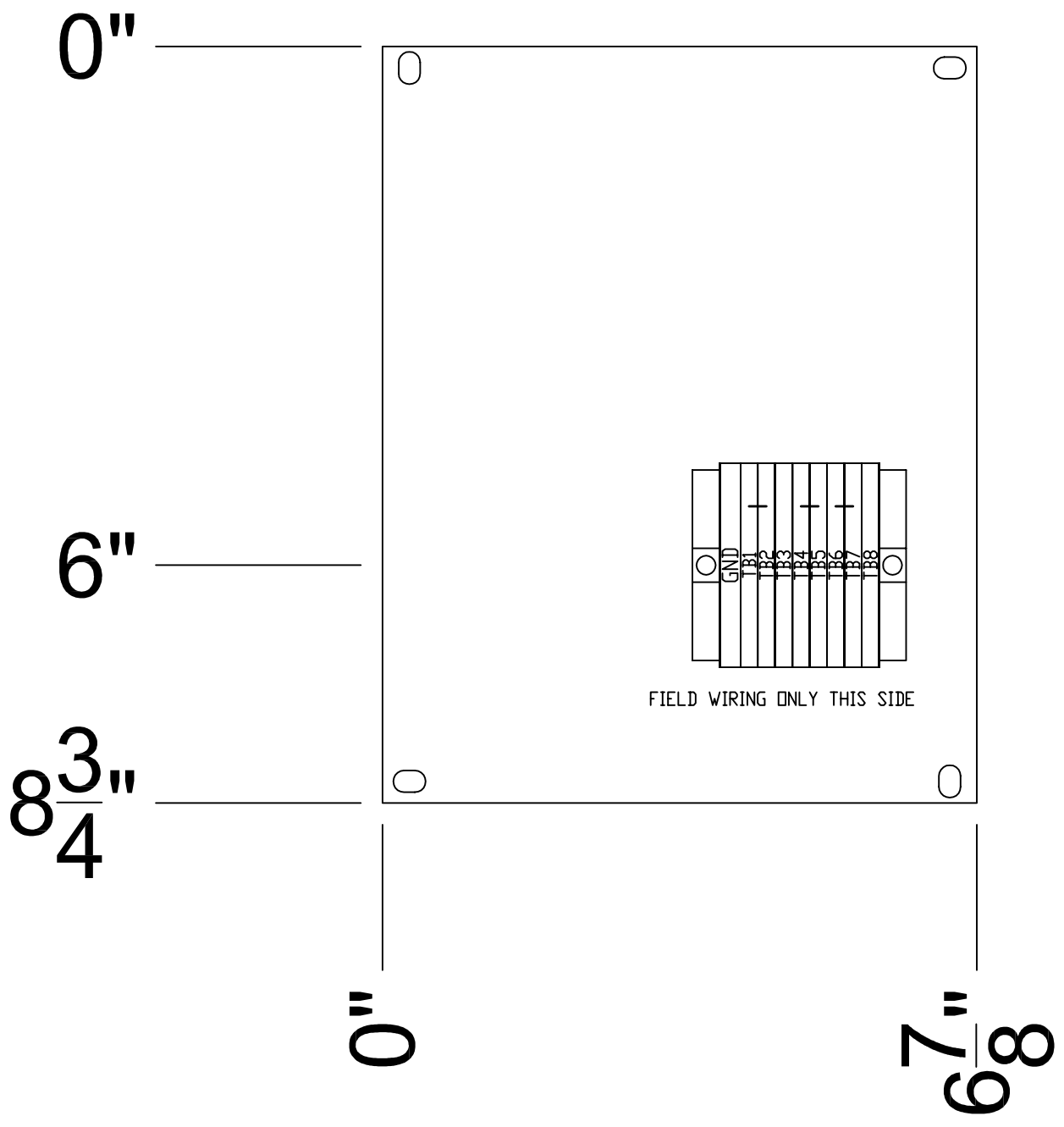








01  
02  
03  
04  
05  
06  
07  
08  
09  
10  
11  
12  
13  
14  
15  
16  
17  
18  
19  
20  
21  
22  
23  
24  
25  
26  
27  
28  
29  
30  
31  
32  
33  
34  
35  
36  
37  
38  
39  
40  
41  
42  
43  
44  
45  
46  
47  
48  
49  
50



AC Technical Services  
8600 Westmoreland Dr. NW  
Concord, NC 28027

P (704) 573-7005  
F (704) 573-7008  
[www.actecser.com](http://www.actecser.com)

CLIENT:  
AC CONTROLS  
8600 WESTMORELAND DR. NW  
CONCORD, NC 28027

ENGINEER:

GENERAL CONTRACTOR:

DATE	REV	DESCRIPTION
1/23/2024	0	

DATE	REV
1/23/2024	0

NOTICE:  
THIS DRAWING WAS PRODUCED FOR THE REFERENCED PROJECT ONLY. IT MAY NOT BE REPRODUCED, COPIED, PUBLISHED, OR USED IN ANY OTHER WAY WITHOUT THE WRITTEN PERMISSION OF AC TECHNICAL SERVICES, INC.

PROJECT:  
REMOTE DISPLAY PANEL

APPROVED BY: --- DATE: --/--/--

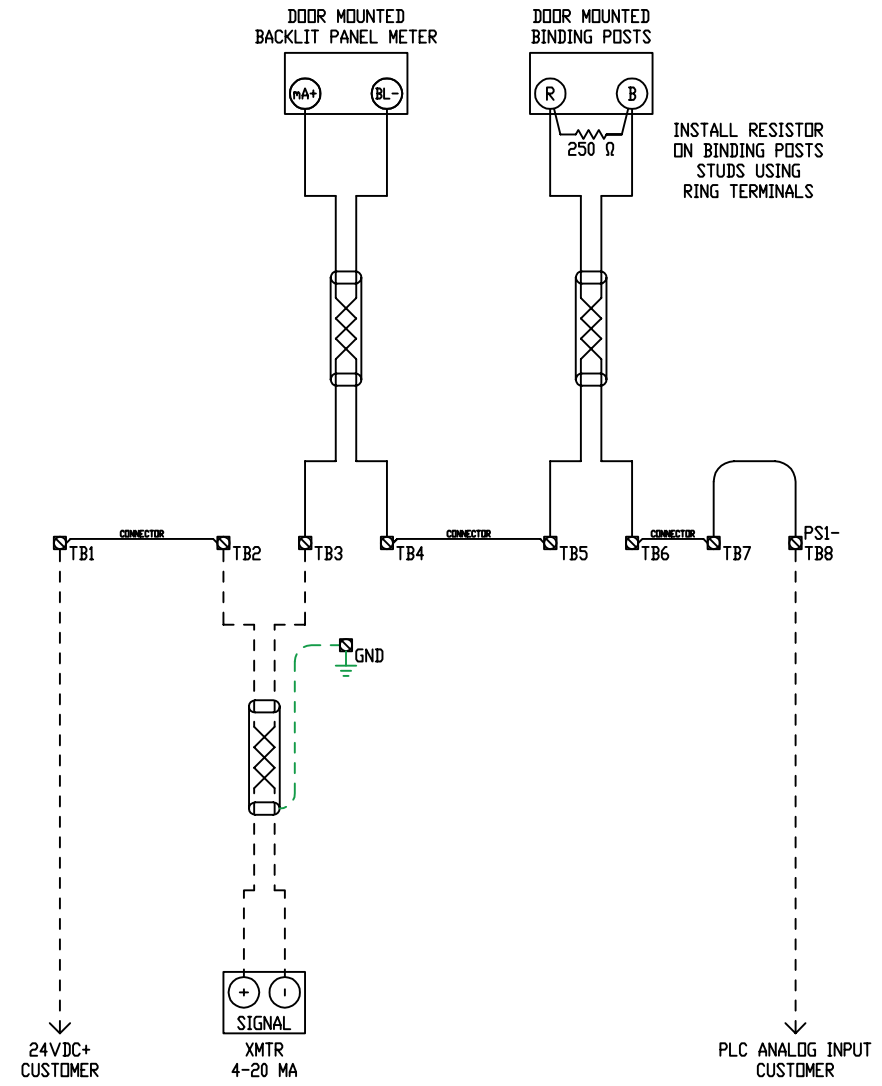
DEVELOPED BY: BWR DATE: 1/23/2024

TITLE:  
BACKPANEL LAYOUT

DRAWING NO: 300-10002	SHEET: 02A	REV: 0
--------------------------	---------------	-----------

01  
02  
03  
04  
05  
06  
07  
08  
09  
10  
11  
12  
13  
14  
15  
16  
17  
18  
19  
20  
21  
22  
23  
24  
25  
26  
27  
28  
29  
30  
31  
32  
33  
34  
35  
36  
37  
38  
39  
40  
41  
42  
43  
44  
45  
46  
47  
48  
49  
50

01  
02  
03  
04  
05  
06  
07  
08  
09  
10  
11  
12  
13  
14  
15  
16  
17  
18  
19  
20  
21  
22  
23  
24  
25  
26  
27  
28  
29  
30  
31  
32  
33  
34  
35  
36  
37  
38  
39  
40  
41  
42  
43  
44  
45  
46  
47  
48  
49  
50



AC Technical Services  
8600 Westmoreland Dr. NW  
Concord, NC 28027

P (704) 573-7005  
F (704) 573-7008  
[www.actecser.com](http://www.actecser.com)

CLIENT:  
AC CONTROLS  
8600 WESTMORELAND DR. NW  
CONCORD, NC 28027

ENGINEER:

GENERAL CONTRACTOR:

NO.	DATE	DESCRIPTION
0		

DATE	REV
1/23/2024	0

NOTICE:  
THIS DRAWING WAS PRODUCED FOR THE REFERENCED PROJECT ONLY. IT MAY NOT BE REPRODUCED, COPIED, PUBLISHED, OR USED IN ANY OTHER WAY WITHOUT THE WRITTEN PERMISSION OF AC TECHNICAL SERVICES, INC.

PROJECT:  
REMOTE DISPLAY PANEL

APPROVED BY: --- DATE: --/--/--

DEVELOPED BY: BWR DATE: 1/23/2024

TITLE:  
ELECTRICAL DISTRIBUTION

DRAWING NO: 300-10002	SHEET: 08A	REV: 0
--------------------------	---------------	-----------

01  
02  
03  
04  
05  
06  
07  
08  
09  
10  
11  
12  
13  
14  
15  
16  
17  
18  
19  
20  
21  
22  
23  
24  
25  
26  
27  
28  
29  
30  
31  
32  
33  
34  
35  
36  
37  
38  
39  
40  
41  
42  
43  
44  
45  
46  
47  
48  
49  
50