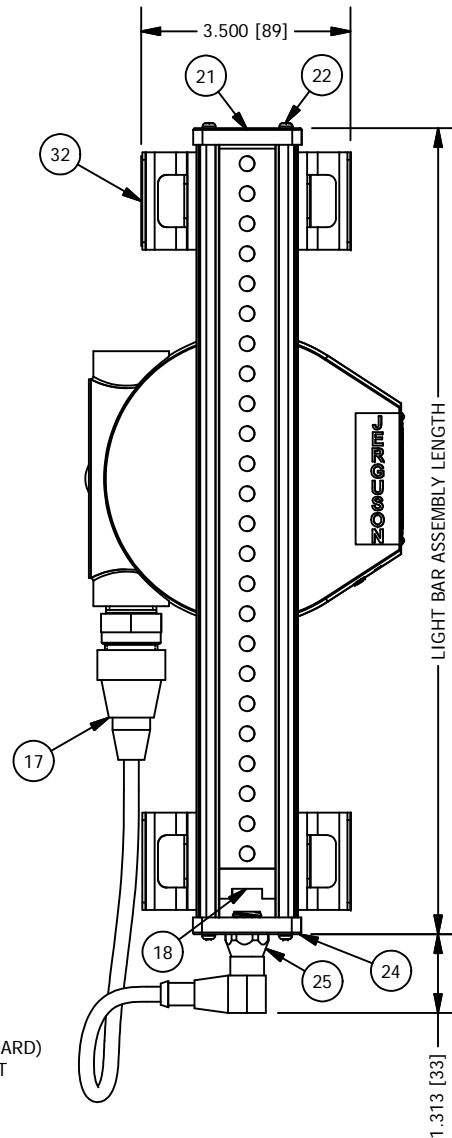
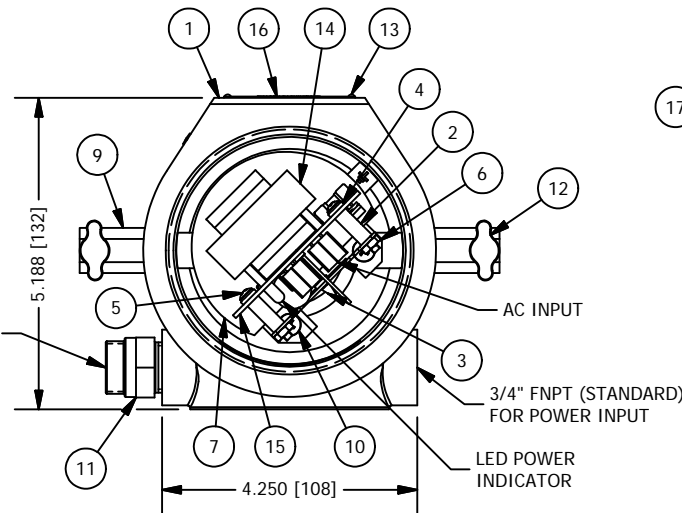
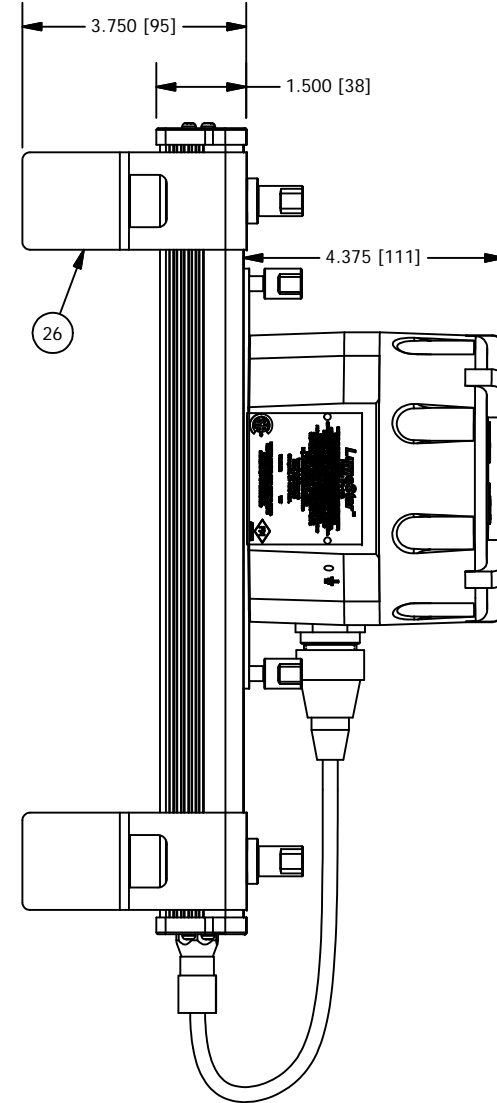


SECTION VIEW OF LIGHT STRIP MOUNTED TO TRANSPARENT GAGE. (POWER SUPPLY NOT SHOWN)



LIGHT BAR ASSEMBLY LENGTH



MODEL NUMBER DESIGNATION

**EPL-100-9-1-1-1-**  
 LUMASTAR MODEL EPL-100  
 115 OR 230 VAC, 50/60 Hz  
 NEMA 4, 4x  
 GAGE WINDOW SIZE  
 SERIES 20 (1 THRU 9)  
 SERIES 300L (11,12,13,15,18,20)  
 PREWIRED TERMINAL CONNECTIONS  
 1 = FM APPROVED, 115 VAC, 50/60 Hz  
 2 = FM APPROVED, 230 VAC, 50/60 Hz  
 3 = ATEX APPROVED, 115 VAC, 50/60 Hz  
 4 = ATEX APPROVED, 230 VAC, 50/60 Hz  
 NUMBER OF GAGE SECTIONS  
 (1,2,3,4,5)  
 SEE LIGHT BAR ASSEMBLY LENGTH TABLE  
 AT RIGHT FOR AVAILABLE UNITS

**DAISY CHAINED/REMOTE**  
 BLANK = STANDARD  
 D = DAISY CHAIN  
 -FOR MULTIPLE SINGLE SECTIONS WITH ARMORED CABLE, CONSULT FACTORY FOR MAXIMUM LENGTHS AND NUMBER OF SECTIONS  
 R = REMOTE MOUNT POWER SUPPLY  
 -STANDARD FOR SINGLE SECTION SIZE 7 OR SMALLER

**MOUNTING BRACKETS**  
 1 = UNIVERSAL MOUNTING BRACKET FOR COVER PLATES UP TO 3-1/2" IN WIDTH. USED FOR ALL JERGUSON SERIES 20/30/32/L10/300L/5/12/18 AND COMPETITIVE L/M/H SERIES GAGES  
 4 = SERIES 20/32 CS COVERS w/ NON-FROST EXT.  
 5 = SERIES 20/32 SS COVERS w/ NON-FROST EXT.  
 6 = JERGUSON 900# BOILER GAGE  
 7 = RELIANCE FG450/900 GAGE  
 8 = RELIANCE FG1500 GAGE  
 9 = SERIES 40/1100#-1600# BOILER GAGES  
 11 = JOGLER GAGE  
 12 = REFLEX GAGE

**SPECIFICATIONS**

POWER SUPPLY: 115 OR 230 VAC @ 50-60Hz  
 POWER CONSUMPTION: <250mA @ 115/230 VAC DURING NORMAL OPERATION, UP TO 400mA MAX @ 115/230 VAC  
 ESTIMATED LIFE: 100,000 HOURS (CONTINUOUS)  
 AGENCY APPROVALS: FM AND CSA APPROVALS  
 POWER SUPPLY CLASS I, DIV 1, GRPS. B, C & D, T4  
 INTRINSIC SAFETY CLASS II, DIV 1, GRPS. E, F & G, T4  
 ATEX APPROVALS  
 POWER SUPPLY Ex II 2(2) G Ex d (ia) IIC T6  
 INTRINSIC SAFETY Ex II 2 G Ex ia IIC T4  
 WIRE SIZE: MINIMUM 18 AWG / MAXIMUM 12 AWG  
 AMBIENT TEMP.: -40°F (-40°C) TO 170°F (77°C)  
 MAXIMUM DISTANCE FROM POWER SUPPLY TO LIGHT STRIP: 72 FEET / 22 METERS  
 ELECTRICAL CONNECTION: 3/4" FNPT

REFER TO THE FOLLOWING (FOR):  
 - CATALOG BULLETIN J100.32 (ADDITIONAL INFORMATION)  
 - IOM BULLETIN J500.32 (INSTRUCTIONS - INCLUDING WIRING)  
 - IOM BULLETIN J500.33 (ATEX INSTRUCTIONS - INCLUDING WIRING)  
 - PRICE SHEET BULLETIN J800.18

\*DIMENSIONS IN INCHES w/ mm EQUIVALENT IN BRACKETS\*

**BILL OF MATERIAL: EPL-100-9-1-1-1**

| NO. | NAME OF PART            | QTY.      | MATERIAL        | PART NO.       | REMARKS   |
|-----|-------------------------|-----------|-----------------|----------------|-----------|
| 1   | ENCLOSURE               | 1         | ALUMINUM        | V20815         |           |
| 2   | SPACER, NYLON 11/16"    | 2         | NYLON           | X175554        |           |
| 3   | STANDOFF                | 1         | NYLON           | E STANDOFF 5/8 |           |
| 4   | WASHER                  | 2         | NYLON           | X175560        |           |
| 5   | SCREW, MACHINE          | 2         | 18-8SS          | X173334        |           |
| 6   | NUT, HEX                | 2         | STAINLESS STEEL | X173342        |           |
| 7   | FISH PAPER              | 1         | -               | V20716         |           |
| 8   | SCREW, MACHINE          | 2         | 18-8SS          | X173062        | NOT SHOWN |
| 9   | T-RAIL                  | 1         | ALUMINUM        | V20778 E6 ANN  |           |
| 10  | SCREW, MACHINE          | 2         | STAINLESS STEEL | X172633        |           |
| 11  | RECEPTICAL              | 1         | -               | V20603         |           |
| 12  | THUMB SCREW, .625" LONG | 2         | ALUMINUM        | V20764 E6 ANN  |           |
| 13  | SCREW, DRIVE            | 2         | 18-8SS          | P1654 P        |           |
| 14  | POWER SUPPLY, 115V *    | 1         | -               | TA 4836        | SHOWN     |
|     | POWER SUPPLY, 230V *    | -         | -               | TA 4836 240    |           |
| 15  | BRACKET, POWER SUPPLY   | 1         | ALUMINUM        | TA 4855 R      |           |
| 16  | LABEL, POWER SUPPLY     | 1         | ALUMINUM        | V20484 E       |           |
| 17  | CORD, 18" LONG STANDARD | 1         | -               | V20509         |           |
| 18  | CIRCUIT BOARD END       | 1         | -               | S23174 END     |           |
| 19  | BOARD, LIGHT            | 1         | -               | S23174 12      | SHOWN     |
|     | BOARD, LIGHT            | -         | -               | S23174 10      |           |
|     | BOARD, LIGHT            | -         | -               | S23174 8       |           |
|     | BOARD, LIGHT            | -         | -               | S23174 6       |           |
|     | BOARD, LIGHT            | -         | -               | S23174 4       |           |
| 20  | GASKET, TOP             | 1         | SILICONE        | V20470         | NOT SHOWN |
| 21  | END CAP, TOP            | 1         | 304SS           | V20472 R       |           |
| 22  | SCREW, TORX             | 8         | STAINLESS STEEL | X172716        |           |
| 23  | GASKET, BOTTOM          | 1         | SILICONE        | V20471         | NOT SHOWN |
| 24  | END CAP, BOTTOM         | 1         | 304SS           | V20473 R       |           |
| 25  | CONNECTOR, FEMALE       | 1         | -               | V20605         |           |
| 26  | BRACKET, UNIVERSAL      | 2         | 316/316LSS      | V21423         |           |
| 27  | BOLT, UNIVERSAL BRACKET | 2         | STAINLESS STEEL | V21424 T       |           |
| 28  | NUT, THUMB              | 2         | 316/316LSS      | V20997 T       |           |
| 29  | EXTRUSION               | 13.250 in | ALUMINUM        | V20466 E7 ANN  |           |
| 30  | GLASS, INDICATOR        | 1         | GLASS           | V18973         |           |
| 31  | GASKET, GLASS           | 53.000 in | SILICONE        | V20556         |           |
| 32  | TAG, EPL-100            | 1         | 316SS           | V20487 E       |           |

\* OPTIONAL POWER SUPPLIES AVAILABLE WITH ATEX APPROVAL

| GLASS SIZE        | LIGHT BAR ASSEMBLY LENGTH |       |       |       |       |
|-------------------|---------------------------|-------|-------|-------|-------|
|                   | NUMBER OF SECTIONS        |       |       |       |       |
|                   | 1                         | 2     | 3     | 4     | 5     |
| SERIES 20/32/300L |                           |       |       |       |       |
| 1                 | 5.41                      |       |       |       |       |
| 2                 | 5.41                      |       |       |       |       |
| 3                 | 7.41                      | 15.41 |       |       |       |
| 4                 | 7.41                      | 17.41 |       |       |       |
| 5                 | 9.41                      | 19.41 |       |       |       |
| 6                 | 11.41                     | 21.41 | 31.41 |       |       |
| 7                 | 11.41                     | 23.41 | 35.41 | 47.41 | 59.41 |
| 8                 | 13.41                     | 27.41 | 39.41 | 53.41 |       |
| 9                 | 13.41                     | 29.41 | 41.41 | 57.41 |       |
| SERIES 300L       |                           |       |       |       |       |
| 11                | 11.41                     | 23.41 | 35.41 | 47.41 |       |
| 12                | 13.41                     | 25.41 | 39.41 | 51.41 |       |
| 13                | 13.41                     | 27.41 | 41.41 | 55.41 |       |
| 15                | 15.41                     | 31.41 | 47.41 |       |       |
| 18                | 19.41                     | 37.41 | 57.41 |       |       |
| 20                | 21.41                     | 41.41 |       |       |       |

| SPARE PARTS     |   |
|-----------------|---|
| PART NUMBER     | DESCRIPTION   |
| S24245          | BRACKET, UNIVERSAL  |
| S23293          | 115 VAC FM/ CSA POWER SUPPLY/BRACKET SUB-ASSEMBLY                 |
| S23294          | 230 VAC FM/ CSA POWER SUPPLY/BRACKET SUB-ASSEMBLY                 |
| S23213          | 115 VAC FM/ CSA POWER SUPPLY w/ EXPLOSION-PROOF ENCLOSURE         |
| S23295          | 230 VAC FM/ CSA POWER SUPPLY w/ EXPLOSION-PROOF ENCLOSURE         |
| S24287 115V     | 115 VAC ATEX POWER SUPPLY/BRACKET SUB-ASSEMBLY                    |
| S24287 230V     | 230 VAC ATEX POWER SUPPLY/BRACKET SUB-ASSEMBLY                    |
| S24196 EPL 115V | 115 VAC ATEX POWER SUPPLY w/ EXPLOSION-PROOF ENCLOSURE            |
| S24196 EPL 230V | 230 VAC ATEX POWER SUPPLY w/ EXPLOSION-PROOF ENCLOSURE            |
| V20509          | 18" CABLE w/ 90 DEGREE CONNECTOR                                  |
| E F DIN F400MA  | FUSE  |
| S23174 4        | LED ARRAY CIRCUIT BOARD (4 INCH)                                  |
| S23174 6        | LED ARRAY CIRCUIT BOARD (6 INCH)                                  |
| S23174 8        | LED ARRAY CIRCUIT BOARD (8 INCH)                                  |
| S23174 10       | LED ARRAY CIRCUIT BOARD (10 INCH)                                 |
| S23174 12       | LED ARRAY CIRCUIT BOARD (12 INCH)                                 |
| V20601 6.5      | 6-1/2 FOOT (2.5 METER) EXTENSION POWER CORD (FOR REMOTE MOUNTING) |
| V19705 F        | M20 METRIC ADAPTOR (3/4"MNPT x M20 FEMALE)                        |

| REV | DATE      | REVISION                               | BY |
|-----|-----------|--|----|
| 3   | 7/12/2013 | REDRAWN IN INVENTOR                    | SH |
| 2   | 3/18/2008 | UPDATED CORD LENGTH                    | SH |
| 1   | 7/26/2007 | UPDATED POWER SOURCE, ADDED DIMENSIONS | SH |

MANUFACTURED BY  
**Clark-Reliance®**  
 16633 FOLTZ PARKWAY  
 STRONGSVILLE, OH 44149 USA  
 (440) 572-1500 | www.clarkreliance.com  
 © Clark-Reliance® Corporation. All Rights Reserved.

**JERGUSON®**  
 EPL-100 LUMASTAR

|                      |
|----------------------|
| DRAWN: SH            |
| CHECKED: MK          |
| DATE: 7/12/2013      |
| REVISION: 3          |
| DRAWING NO.: EPL-100 |
| REV.: 3              |