



Electric

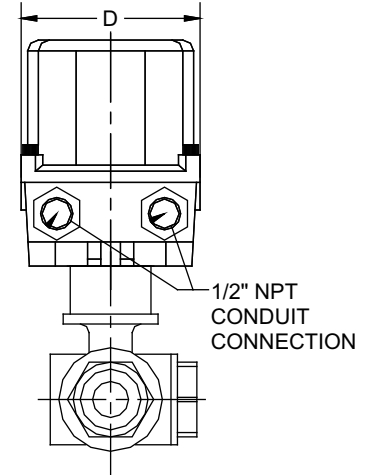
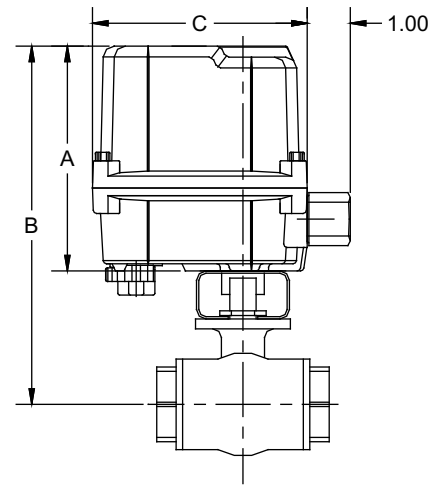
Automated Ball Valve Package

Series 38 3-Way Ball Valve

- Reduced Port Valve
- 1000 psi WOG
- Available 1/4" – 2"
- 316SS Body, Ball & Stem
- Threaded Ends
- "T" Port or "L" Port
- 4 Seat Design



Threaded 3 Way



SERIES 38 3 Way

DIMENSIONS (IN)

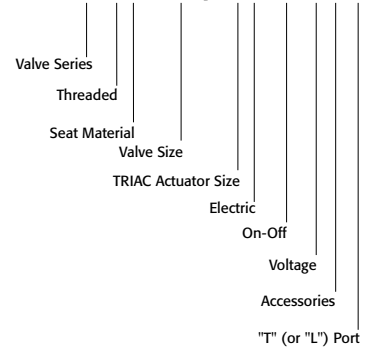
VALVE SIZE	A	B	C	D
1/4"	5.24	7.78	4.94	4.08
3/8"	5.24	7.78	4.94	4.08
1/2"	5.24	7.92	4.94	4.08
3/4"	5.24	8.26	4.94	4.08
1"	5.24	8.42	4.94	4.08
1-1/4"	5.24	8.66	4.94	4.08
1-1/2"	9.25	13.36	6.69	10.16
2"	9.25	13.70	6.69	10.16

VALVE Cv	
T-PORT STRAIGHT THRU	L-PORT 90°
3	3.5
3.5	4
4.2	5
7	8
14	20
19	30
35	40
45	60

ON-OFF	
SIZE	MODEL
1/4"	38-TX-025/WEA1-XX-T
3/8"	38-TX-038/WEA1-XX-T
1/2"	38-TX-050/WEA1-XX-T
3/4"	38-TX-075/WEA1-XX-T
1"	38-TX-100/WEA1-XX-T
1-1/4"	38-TX-125/WEA1-XX-T
1-1/2"	38-TX-150/WEB1-XX-T
2"	38-TX-200/WEB1-XX-T

SAMPLE PART

38-TX-050/WEA1-XX-T



OPTIONS
DESCRIPTION
24 VAC/24 VDC/220VAC
Feedback signals

NOTE: Heater and thermostat standard
(2) auxiliary switches standard

Other options available - call for details
Actuators are sized based on clean/clear fluid.



Triac Division
 11363 Deerfield Rd.
 Cincinnati, Ohio 45242
 PHONE (513) 247-5465
 FAX (513) 247-5462
 e-mail: sales@a-tcontrols.com
 www.a-tcontrols.com

Valve Options

Various Seat Materials

PTFE, RTFE, 50/50, 15% CFTE, Delrin PEEK, Hard Facing, UHMWPE, TFM-1600

Several hard face and metal-metal options

Gear Operators

Quarter-turn Gear Operators

Spring Return "Deadman" Handles

Oval handles, TEE Handles

Specials and Solutions

Steam Jackets

Stem Extensions

V-ported Control Valves

Multi-port Valve Solutions

Fugitive Emissions Bonnets (TSM's)

Oxygen Cleaning

Lockout Brackets

Vented Balls

"No Play" Mounting Kits

- **FM Approved Valves and Assemblies**



Triac Division
11363 Deerfield Rd.
Cincinnati, Ohio 45242

PHONE (513) 247-5465
FAX (513) 247-5462
e-mail: sales@a-tcontrols.com
www.a-tcontrols.com

050111-38

Other Products

Special Seats

Balls and Seal Designs



Steam Jacketed Valves



Floor Mounted Damper Drives



Limit Switches

Mounted on Manual Valves



Fusible Link Assemblies



180° Actuators



Lockout Mounting Kits



Stem Extensions



Special Multi-Port Valves



Dual Valve Assemblies

