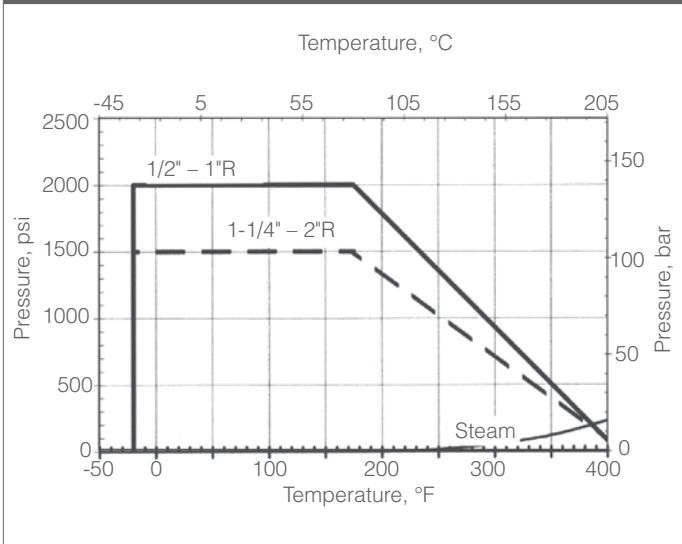


Features

- Investment cast body construction
- Blow-out proof stem
- Reinforced PTFE seats
- Adjustable PTFE packing
- API 598 Inspection & Testing
- PED 97/23/EC; ISO 9001
- Locking lever operator w/D&T mounting pad

Series 9000R Pressure-Temperature Ratings



Technical Specifications

Valve Size Inches	Operating Torque, in-lb	Flow Coefficient, Cv
1/2"	60	9
3/4"	85	18
1"	150	35
1-1/4"	190	48
1-1/2"	220	81
2"	290	110

9923RTRS-XXX Series Reduced Port Valve 9933RTRS-XXX Series Reduced Port Valve

Quick Spec

Product Scope	
Size Range	1/2" – 2", Reduced Port
Body Type	2-pc, End Entry, FNPT Ends
Pressure Rating	<=1": 2000 psi WOG (138 bar) >=1-1/4": 1500 psi WOG (103 bar)
Temperature Range / WSP	-20°F thru 350°F / 150 psi Steam -29°C thru 177°C / 10,3 bar Steam
Body	Carbon or Stainless Steel
Trim	Stainless Steel, Anti-Static Design
Seats	RPTFE
Stem Packing	Adjustable PTFE
Operator / Mtg Pad	Manual Locking Lever / D&T non-ISO
Design Standards	
Thread Design	ASME B1.20.1
Testing Standards	
Pressure Testing	API 598

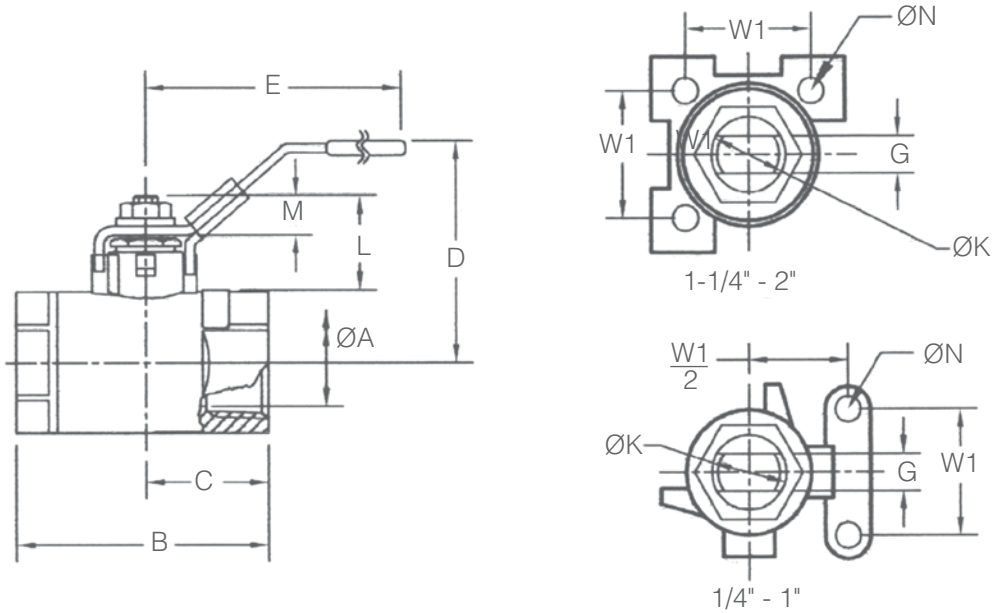
Materials of Construction

Part	Material (Carbon Steel)	Material (Stainless Steel)
Body	ASTM A216 Gr WCB	ASTM A276 Gr CF8M
End Cap	ASTM A216 Gr WCB	ASTM A276 Gr CF8M
Ball	ASTM A216 Gr WCB	ASTM A276 Gr CF8M
Stem	ASTM A276 F316	
Seal, Body	PTFE	
Seat	RPTFE	
Thrust Washer, Stem	RPTFE	
Packing, Stem	PTFE	
Gland Nut, Body	304 SS	
Washer, Handle	304 SS	
Handle	304 SS	
Cover, Handle	Vinyl	
Nut, Handle	304 SS	

Technical Specifications, metric

Valve Size NPS	Operating Torque, N.m	Flow Coefficient, Kv
DN15	6,8	7,7
DN20	9,6	15,5
DN25	16,9	30,1
DN32	21,5	41
DN40	24,9	70
DN50	32,8	95

Note: Operating torques given for RPTFE seats, maximum differential pressure. The normal service factor to be applied to these torques for actuator sizing is 1.2, but may be more or less depending upon operating conditions. Operating torques are also highly dependent upon seat material, and differential pressure across the closed ball. Consult the Marwin Ball Valve Actuator Sizing Program for operating torques and service factors for different materials, fluids, and operating conditions.



MD09013

Dimensions, Inches												
Valve Size	9000R Series											
Inches	ØA Port	B Length	C	D	E	W1 Mtg Dim	ØN Mtg Hole	G S Flats	ØK S Dia	L Stem Ext	M Flat Length	Wt (lbs)
1/2"	0.51	2.36	1.14	2.0	3.9	1.12	M5x0.8	0.205	0.303	0.97	0.40	0.71
3/4"	0.69	3.11	1.50	2.4	4.8	1.37	M5x0.8	0.244	0.420	1.20	0.51	1.32
1"	0.88	3.35	1.62	2.6	4.8	1.37	M5x0.8	0.244	0.420	1.17	0.51	1.76
1-1/4"	0.99	4.02	2.03	3.3	5.7	1.40	M6x1.0	0.366	0.610	1.06	0.67	3.20
1-1/2"	1.26	4.37	2.21	3.5	5.7	1.40	M6x1.0	0.366	0.610	1.06	0.71	4.15
2"	1.50	5.40	2.68	3.7	7.1	1.40	M6x1.0	0.366	0.610	1.06	0.71	5.84

Dimensions, mm												
Valve Size	9000R Series											
NPS	ØA Port	B Length	C C/L End	D C/L Hand	E Hand L	W1 Mtg Dim	ØN Mtg Hole	G S Flats	ØK S Dia	L Stem Ext	M Flat Length	Wt (kgs)
DN15	13,0	60,0	29,0	51	100	28,5	M5x0.8	5,21	7,70	24,6	10,2	0,32
DN20	17,5	79,0	38,0	62	123	34,7	M5x0.8	6,20	10,67	30,5	13,0	0,60
DN25	22,3	85,0	41,0	67	123	34,7	M5x0.8	6,20	10,67	29,7	13,0	0,80
DN32	25,1	102,0	51,5	84	144	35,6	M6x1.0	9,30	15,49	26,9	17,0	1,45
DN40	32,0	111,0	56,0	89	144	35,6	M6x1.0	9,30	15,49	26,9	18,0	1,88
DN50	38,1	137,0	68,0	94	180	35,6	M6x1.0	9,30	15,49	26,9	18,0	2,65

All sizes can be automated

How to Order							
Valve Series	Body Material	Trim Material	Port Design	Packing	Seat	End Connections	Valve Size
99	2 = Carbon Steel 3 = Stainless Steel	3 = 316 Stainless Steel	R = Standard Port	T = PTFE	R = RPTFE	S = Threaded (FNPT)	050 075 100 125 150 200

Sample Ordering Schematic

99	3	3	R	T	R	S	050
----	---	---	---	---	---	---	-----

Marwin Valve

 A Division of Richards Industries, 3170 Wasson Road, Cincinnati, OH 45209
 toll free. 800.543.7311, local. 513.533.5600, fax. 513.871.0105
 www.marwinvalve.com