



MARWIN VALVE

3170 Wasson Road • Cincinnati, OH 45209 USA
Phone 513-533-5600 • Fax 513-871-0105
marwin@richardsind.com • www.marwinvalve.com

I & M 3T3700/3L3800 Series

*Installation & Maintenance Instructions for Marwin
3T3700/3L3800 Series Three Way Ball Valves*

Warning: Marwin Valve Ball Valves must only be used, installed and repaired in accordance with these Installation & Maintenance Instructions. Observe all applicable public and company codes and regulations. In the event of leakage or other malfunction, call a qualified service person; continued operation may cause system failure or a general hazard.

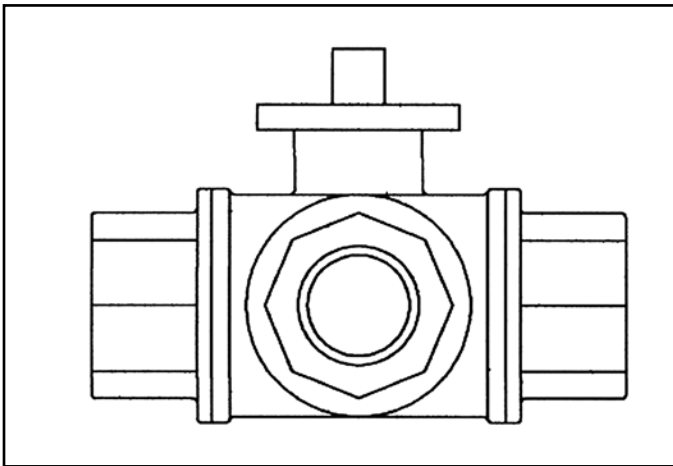
Please read these instructions carefully!

Your Marwin Valve product will provide you with long, trouble-free service if it is correctly installed and maintained. Spending a few minutes now reading these instructions can save hours of trouble and downtime later. When making repairs, use only genuine Marwin Valve parts, available for immediate shipment from the factory.

Scope

This manual is intended as a guide to assist customers in the storage, installation, and maintenance of Marwin 3T3700/3L3800 Series Three Way Ball Valves. Subsequent additions or special instructions will be provided for special ball valves, critical service, or customer requirements.

Applicability



This manual is applicable to the 3T3700/3L3800 Series Marwin three way ball valves.

Caution

1. Valve pressure ratings are based on many variables, including valve series and size, as well as body, seat and bolt material. Verify that application does not exceed the pressure or temperature rating on the nameplate.

2. **ALWAYS** depressurize the line with the valve in the **OPEN** position before disassembly. Cycle valve in depressurized line before removing valve.
3. Wear protective equipment and take appropriate precautions to safeguard against injury caused by the discharge of trapped fluids.
4. Use only Marwin recommended spare parts for maintenance.
5. To ensure safety and maintain warranty, never modify valve in any way without prior approval from Marwin.

Storage

A petroleum-based oil (silicone free) is used as lubrication on all internal surfaces. This may be removed with a solvent if found objectionable. All valves are adequately packed in a strong cardboard case in such a way as to avoid any possible damage during transport and storage.

CAUTION: If ball valves are not destined for immediate use, the following precautions should be taken:

1. If possible, leave the ball valves in their packing cases during the period of storage.
2. Ball valves must remain in open position during this time.
3. In order to prevent damage, protective plastic covers on valve ends should not be removed until immediately prior to installation.
4. It is advisable to store the valves in waterproof conditions. Ball valves should be protected to safeguard against humidity, moisture, dust, dirt, sand, mud, salt spray, and seawater.
5. All valves complete with actuators are to be stored in dry conditions.
6. Valves to be stored for a long period of time should be checked by the quality control personnel every six months; every three months when valves are automated.

Maintenance During Storage Period

- Internal surface should be inspected to check for dust or other foreign objects.
- Rust or dust must be removed by cleaning with

- proper solvent.
- After cleaning, ball valves must be lubricated with an adequate lubricant.
- Ball valves should be operated for at least two complete cycles before installing or returning to storage.

Installation

The ball valves may be installed in any position using standard pipe fitting practice.

CAUTION: Before installation of the valve:

- Pipe must be free of tension both during and after installation.
- Pipe must be flushed to clean dirt, welding residues, etc. which would damage ball or seats.
- The valve should be kept in OPEN POSITION during installation and protective plastic covers must be removed only at the moment of installation.
- Before shipment, the ball is lubricated with a pure Vaseline oil. This can be easily removed with an application compatible solvent if required.
- If the valve was specified to be tested per ANSI 16.34, there may be some trapped water between the ball and the body cavity. This can be removed by partially opening the valve, thereby exposing the cavity to the through port of the ball.
- Special care should always be taken when installing automated ball valves that the ball is in the proper position.

Installation of Threaded Ends

- Unless otherwise specified, pipe threads are American National Standard Taper Pipe Threads (NPT) per ANSI B1.20.1, and require that a pipe sealant be used.
- Use an anti-seize thread sealant to seal and prevent galling.
 - Marwin recommends PTFE-based liquid sealant or Grafoil tape as thread sealants.
 - Notes:
 - Use all pipe sealant products in accordance with the manufacturer's instructions and good piping practices.
 - Correct lubrication of stainless steel pipe threads is especially important to prevent galling.
- To prevent distortion or damage to the valve, do not apply torque through the valve. When tightening valve, use wrench on the end nearest the pipe being tightened.
- Always leak test the system before using.

Manual Operation

Refer to the port arrangement diagram for specific valve operation.

Port Configuration

Three Way "T" Port

	A	B	C
T1 180°			
T2 180°			
T3 90°			
T4 90°			

Three Way "L" Port

	A	B	C
L1 180°			
L2 90°			
L3 180°			
L4 180°			
L5 90°			
L6 180°			

Maintenance

Before starting maintenance, please read information contained in the **Caution Section** of the manual.

1. Open and close the ball valve at least once to release the pressure completely from valve body.
2. Ball valves, if correctly used, normally do not need any internal lubrication and maintenance. However, when necessary, ball or seats can be replaced by qualified personnel following the instructions of this manual.

Valve Disassembly

Note: The 3T3700/3L3800 Series ball valves are not designed for rebuilding, nor is it economical to do so. Should the valve leak, complete replacement is recommended. However, a spare parts kit may be special ordered at customer request.

Troubleshooting

Stem Leakage

- You can eliminate leakage in the stem area by increasing the torque on the gland nut in $\frac{1}{4}$ turn increments. If leakage persists, replace valve.

Body Seal Leakage

- Check the torque of the end cap. If leakage persists, replace valve.

In Line or Seats Leakage

- Check to be sure valve is in fully closed position. If leakage persists, the valve must be replaced.