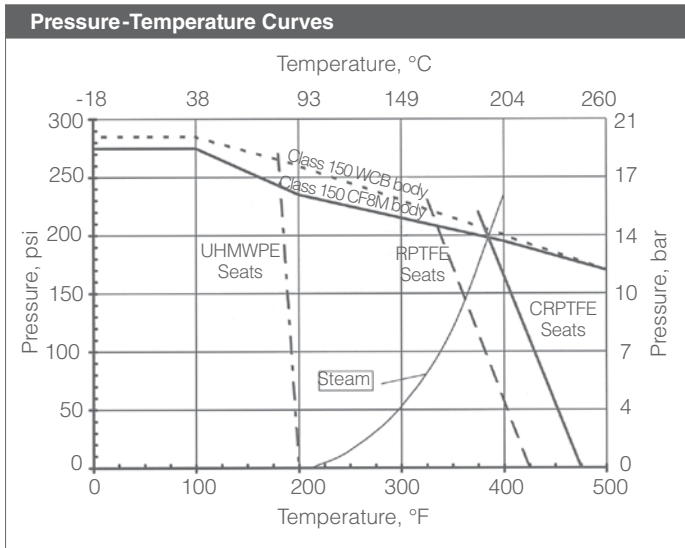


Features

- Investment cast 2-piece body construction
- ISO 5211 actuator mounting pad
- Blow-out proof stem
- Reinforced PTFE seats
- Adjustable, live loaded PTFE packing w/O-ring secondary seal
- API 598 inspection and testing
- PED 97/23/EC; ISO 9001
- Locking lever operator



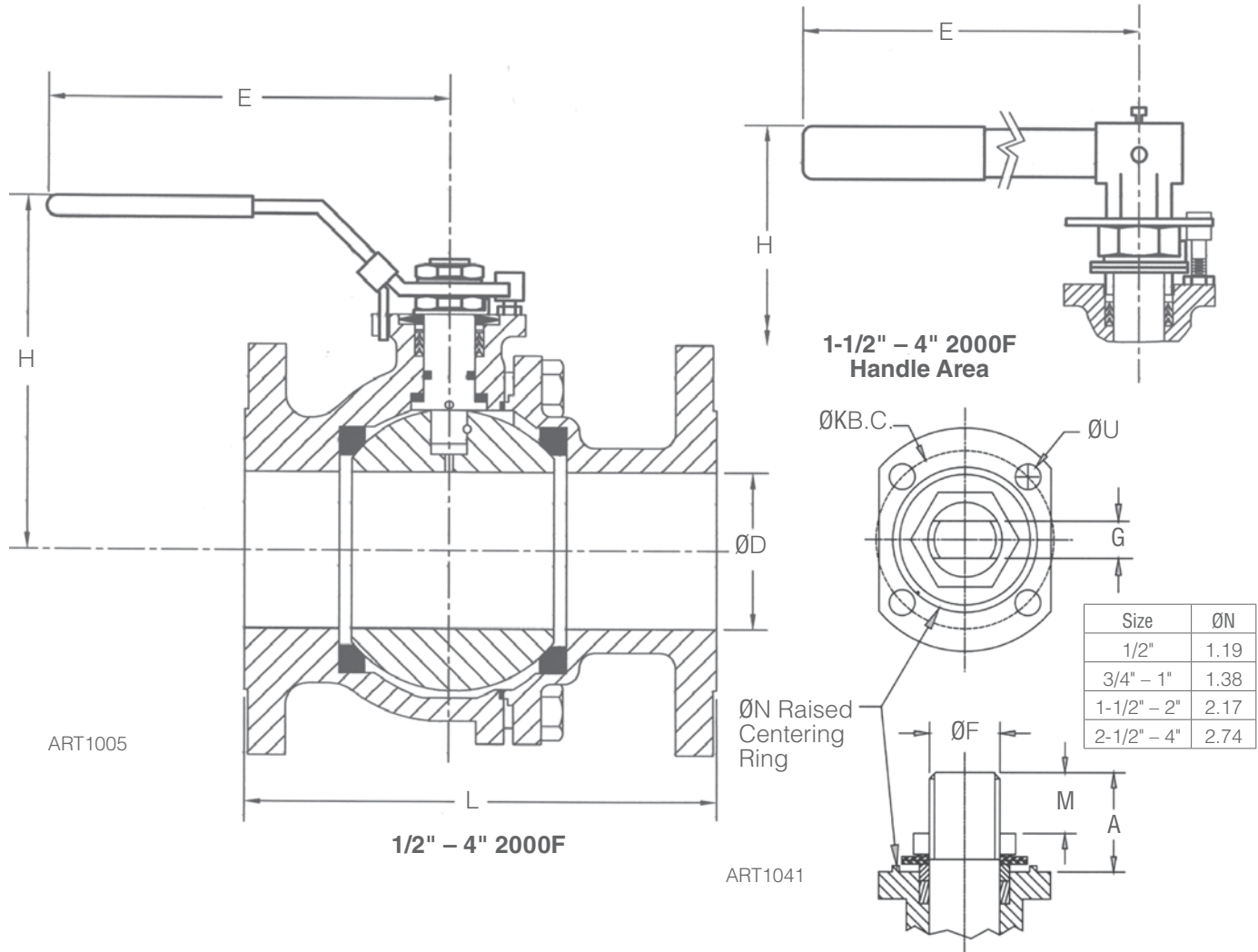
Technical Specifications: Please refer to bottom page 3

2000F-xxx-CS-F1 Series Full Port Valve

2000F-xxx-S6-F1 Series Full Port Valve

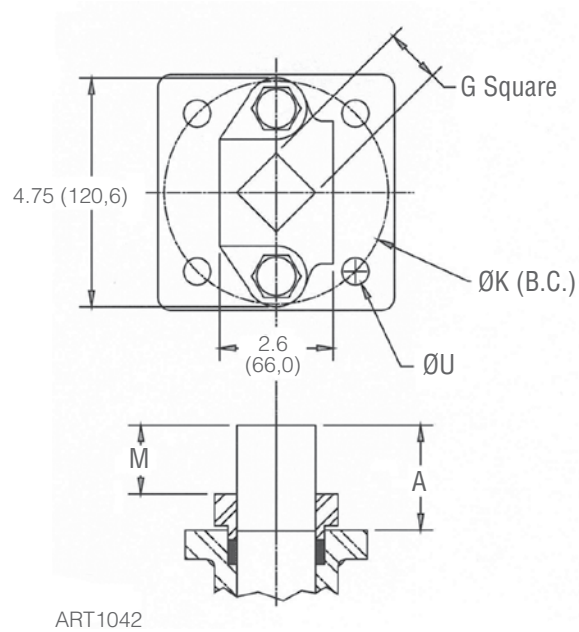
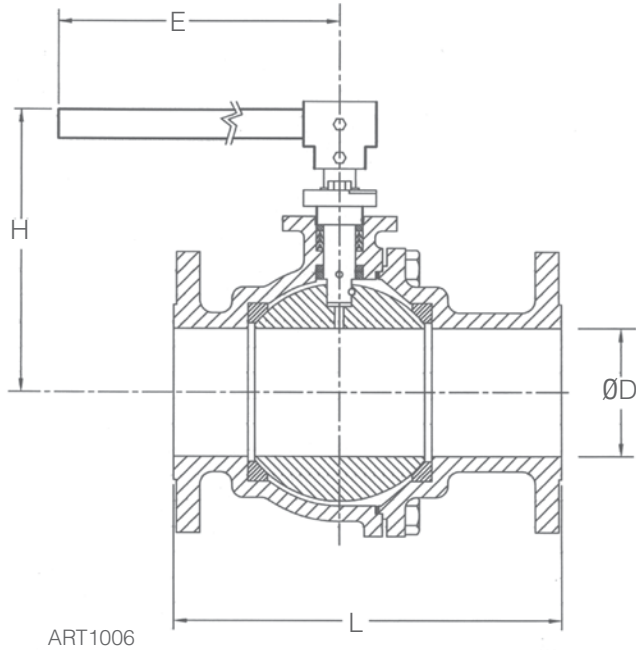
Quick Spec	
Product Scope	
Size Range	1/2" – 6", Full Port
Body Type	2-pc Split Entry
Pressure Rating / Ends	ASME Class 150, Flanged Ends
Temperature Range / WSP	-20°F to 400°F / 150 psi Steam -29°C to 204°C / 10,3 bar steam
Body	Stainless or Carbon Steel
Ball & Stem	Stainless Steel, Anti Static Design
Ball Seats	RPTFE
Stem Packing	Adjustable, Live Loaded PTFE
Stem Seals	Viton O-Ring
Body Seal / Thrust Washer	RPTFE / RPTFE (50% SST)
Operator / Mounting Pad	Manual Locking Lever / ISO 5211
Design Standards	
Design	ASME B16.34
Face to Face	ASME B16.10
Flange Dimensions	ASME B16.5
Testing Standards	
Pressure Testing	API 598
Approvals	
PED 97/23/EC; ISO 9001	

Materials of Construction		
Part	Stainless Steel	Carbon Steel
Body	ASTM A351 CF8M	ASTM A216 WCB
End Cap	ASTM A351 CF8M	ASTM A216 WCB
Ball	ASTM A351 CF8M	
Stem	AISI 316	
Seat Ring	RPTFE	
Seal, Body	RPTFE	
Bolt, Body	ASTM A193 B8 Class I (1/2"-4") / AISI 304 (6")	
Antistatic Pin (1/2"-4")	AISI 316	
Bearing Washer	50% SS / 50% PTFE	
Thrust Washer	PTFE	
Packing	PTFE	
O-Ring, Stem (1/2"-4")	Viton	
Packing Follower (1/2"-4")	AISI 304	
Gland (6")	ASTM A351 CF8M	
Belleville Washer (1/2"-4")	AISI 304	
Bolt, Gland (6")	AISI 304	
Stop Plate (1-1/2"-6")	AISI 304	
Lock Washer (Saddle), Packing Nut (1/2"-1")	AISI 304	
Nut, Packing (1/2"-4")	AISI 304	
Retaining Ring (6")	AISI 304	
Adaptor, Handle (1-1/2"-6")	AISI 304 (1-1/2"-4") / Cast Iron (6")	
Handle (1/2"-1")	AISI 304	
Handle (1-1/2"-6")	Steel, Plated (2"-4") / Steel (6")	
Lock Washer, Handle (1/2"-1")	AISI 304	
Nut, Handle (1/2"-1")	AISI 304	
Bolt, Handle (1-1/2"-4")	AISI 304 (1-1/2"-4") / Steel (6")	
Cover, Handle (1/2"-4")	Vinyl	
Bolt, Stop (1/2"-4")	AISI 304	



Dimensions, Inches													
Valve Size	2000F - 150 Series												
Inches	ØD	L	H	E	ISO 5211	ØU	ØK	G	ØF	ØN	A	M	Weight, lbs
1/2"	0.59	4.25	3.5	5.9	F04	M5	1.65	0.248	0.374	1.19	0.78	0.50	8.8
3/4"	0.79	4.63	3.9	5.9	F04	M5	1.65	0.248	0.374	1.19	0.71	0.41	9.9
1"	0.98	5.00	4.3	7.1	F05	M6	1.97	0.315	0.441	1.38	0.88	0.50	11.0
1-1/2"	1.57	6.50	5.0	7.4	F07	M8	2.76	0.374	0.626	2.17	1.14	0.70	17.6
2"	1.97	7.00	6.0	11.0	F07	M8	2.76	0.374	0.626	2.17	1.14	0.75	24.3
2-1/2"	2.56	7.50	7.0	15.0	F07	M8	2.76	0.669	0.870	2.17	1.67	0.85	37.5
3"	2.99	8.00	7.5	15.0	F10	M10	4.02	0.669	1.114	2.74	1.85	1.15	50.7
4"	3.82	9.00	9.0	15.0	F10	M10	4.02	0.669	1.114	2.74	1.89	1.20	68.3

Dimensions, mm													
Valve Size	2000F - 150 Series												
NPS	ØD	L	H	E	ISO 5211	ØU	K	G	ØF	ØN	A	M	Weight, kgs
DN15	15,0	108	89	150	F04	M5	42,0	6,3	9,5	30,2	19,8	12,7	4,0
DN20	20,0	117,6	99	150	F04	M5	42,0	6,3	9,5	30,2	18,1	10,4	4,5
DN25	25,0	127	109	180	F05	M6	50,0	8,0	11,2	35,1	22,4	12,7	5,0
DN40	40,0	165,1	127	188	F07	M8	70,0	9,5	15,9	55,1	29,0	17,8	8,0
DN50	50,0	177,8	152	279	F07	M8	70,0	9,5	15,9	55,1	29,0	19,1	11,0
DN65	65,0	190,5	178	381	F07	M8	70,0	17,0	22,1	55,1	42,4	21,6	17,0
DN80	76,0	203,2	191	381	F10	M10	102,0	17,0	28,3	69,6	47,0	29,2	23,0
DN100	97,0	228,1	229	381	F10	M10	102,0	17,0	28,3	69,6	48,0	30,5	31,0



Dimensions, Inches											
Valve Size	2000F - 150										Weight, lbs
Inches	ØD	L	H	E	ISO 5211	ØU	ØK	G	A	M	
6"	5.8	15.50	11.5	26.5	F12	M12	4.92	0.984	3.03	2.19	125

Dimensions, mm											
Valve Size	2000F - 150										Weight, kgs
NPS	ØD	L	H	E	ISO 5211	ØU	K	G	A	M	
DN150	148	394	292	673	F12	M12	125	25,0	77,0	55,6	57

Technical Specifications		
Valve Size Inches	Operating Torque, in-lb @ 285 psig	Flow Coefficient, Cv
1/2"	88	29
3/4"	106	56
1"	110	90
1-1/2"	220	256
2"	380	424
2-1/2"	585	757
3"	900	1070
4"	1600	1845
6"	3500	4664

Technical Specifications, metric		
Valve Size NPS	Operating Torque, N-m @ 19,6 bar	Flow Coefficient, Kv
DN15	10	25
DN20	12	48
DN25	12	77
DN40	25	220
DN50	43	364
DN65	66	651
DN80	102	921
DN100	181	1586
DN150	395	4011

How to Order							
Valve Series	Port Design	Size	Body Material	End Connections	Packing/Seat	Ends	Handle
2000	F = Full Port	050 = 1/2"	CS = Carbon Steel	F1 = Class 150 FE	A = PTFE/PTFE	F = Class 150 FE	HL = Lever (std)
		075 = 3/4"	S6 = Stainless Steel		B = PTFE/RPTFE (std)		NN - None
		100 = 1"			C = PTFE/C-RPTFE		
		150 = 1-1/2"			G = Grafoil/C-RPTFE		
		200 = 2"			J = UHMW-PE/UHMW-PE		
		250 = 250"					
		300 = 3"					
		400 = 4"					
		600 = 6"					

Sample Ordering Schematic

2000	F	100	S6	F1	B	F	HL
------	---	-----	----	----	---	---	----

Marwin Valve

A Division of Richards Industries, 3170 Wasson Road, Cincinnati, OH 45209
 toll free. 800.543.7311, local. 513.533.5600, fax. 513.871.0105
www.marwinvalve.com