



3170 Wasson Road • Cincinnati, OH 45209  
Phone 513.533.5600 • Fax 513.871.0105 (f)  
info@richardsind.com • www.jordanvalve.com

## I & M Mark ED & ET Series 1-6 Inch

### Installation & Maintenance Instructions for the Mark ED & ET Series 1-6 Inch Globe Style Control Valve

**Warning:** Jordan Valve Control Valves must only be used, installed and repaired in accordance with these Installation & Maintenance Instructions. Observe all applicable public and company codes and regulations. In the event of leakage or other malfunction, call a qualified service person; continued operation may cause system failure or a general hazard. Before servicing any valve, disconnect, shut off, or bypass all pressurized fluid. Before disassembling a valve, be sure to release all spring tension.

## INTRODUCTION

Contained in this manual are installation instructions, maintenance and parts information for the 1 through 6-inch Mark E Series, Mark ED and Mark ET Globe Style Control Valves. Refer to the appropriate manuals for instructions for the accompanying actuator, positioner and additional accessories.

Only trained or experienced personnel should carry out the operation and installation of all pressure equipment. If you have any questions regarding the equipment, contact your Jordan Valve Controls representative.

## INSTALLATION

1. Before installing a Mark ED or ET Series valve carefully inspect for damage that may have occurred in shipment.
2. Remove all welding slag, pipe scale and any other foreign matter by cleaning out the lines before installation.
3. Install the valve so that the flow direction arrow on the body coincides with the actual process flow through the valve.
4. Use accepted piping practices when installing the valve. Use a suitable gasket between pipeline flanges and valve body.
5. Although the control valve can be installed in any position, the typical installation has the actuator vertical above the body.
6. Installing a conventional 3-valve bypass around the body will allow for continuous operation during maintenance and inspection.
7. Mark E Series valve bodies are rated at 150, 300 and 600 lb. ANSI. Be sure not to install the valve in any system where working pressures are greater than those specified in the standards.

## MAINTENANCE

### **Warning:**

**To avoid damage to the process system or personal injury, isolate the valve from the system and relieve any pressure contained within prior to disassembly. Disconnect any operating lines providing air pressure, control signals or electrical power to the actuator.**

### **Disassembly**

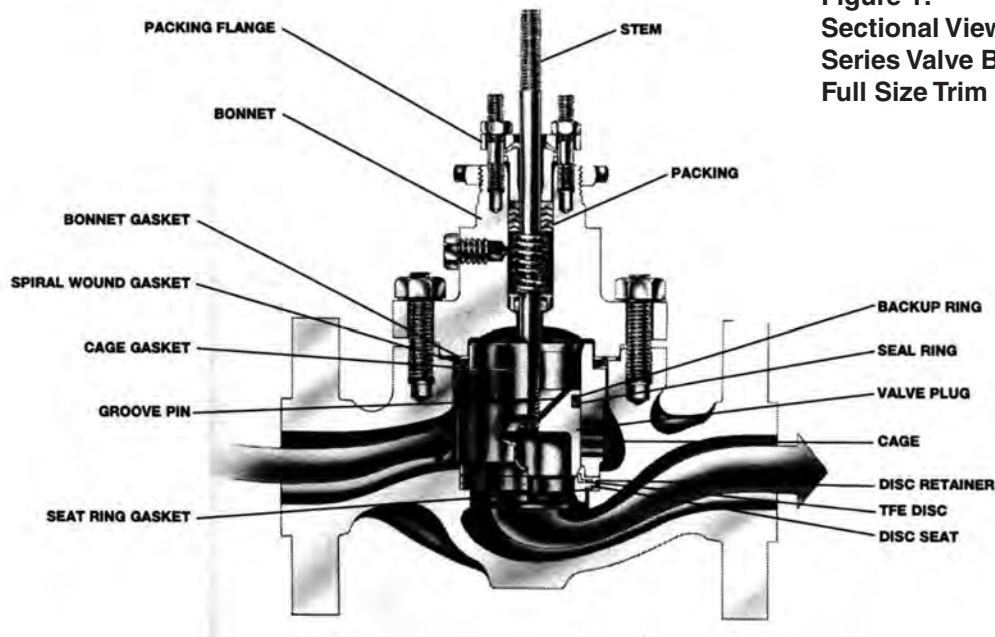
Except where indicated, refer to Figure 1 for part descriptions used in the following procedure.

1. With the actuator disconnected and removed from the body, remove the hex nuts, (key 15, figure 8).
2. Remove the bonnet with the valve plug and stem.
3. Loosen the packing flange nuts (key 5, figure 7) and remove the valve plug and stem from the bonnet. If the valve stem needs replacement, punch out the groove pin and unscrew the stem. If the valve plug needs replacement, a new valve plug and stem assembly is required.

**Warning: Do not use an old stem with a new valve plug. Using an old stem requires drilling a new hole for the groove pin and as a result, the integrity of the stem is weakened.**

4. If desired you may disassemble the internal parts of the bonnet. To replace the Packing, see instructions titled "Packing Replacement" in this manual.

**Warning: The portion of the cage which is exposed provides a guiding surface. Ensure that this surface is not damaged during disassembly or maintenance. If the cage is seized in the body, use a rubber mallet to strike the exposed portion at varying points around its circumference.**



**Figure 1:**  
**Sectional View of A-100**  
**Series Valve Body with**  
**Full Size Trim**

### Disassembly Continued,

5. Remove the cage and gaskets from the valve body. With restricted trim, (figure 10) remove the seat ring adaptor (key 5) and the cage adaptor (key 4).
6. Remove the seat ring and its gasket. With composition seats, remove the disc retainer, disc seat and TFE disc.

### Reassembly

Except where indicated refer to Figure 1 for part descriptions used in the following procedure.

1. Clean all gasket-seating surfaces. Use new gaskets only for reassembly.
2. With restricted trim (figure 10) install the seat ring adaptor gasket (key 13) and the adaptor (key 5).



**Figure 2: Equal Percentage Cage**

3. Replace the seat ring gasket (key 12) and install the seat ring (key 8). If using a composition seat, assemble it by placing the TFE disc (key 20) into the disc retainer (key 18), then sliding this assembly over the disc seat (key 19).
4. Place the cage (key 3) onto the seat ring (key 9). Any rotational orientation of the cage with respect to the valve body is acceptable.
5. With full-sized trim, install cage gasket (key 10), spiral wound gasket (key 11) and bonnet gasket (key 9) onto the cage shoulder.
6. With restricted trim, install the cage gasket (key 10), spiral wound gasket (key 11) and an additional cage gasket (key 10) onto the cage shoulder. Install the cage adaptor and place the bonnet gasket onto the adaptor.
7. If installing a new stem in the valve plug, screw the new stem into the valve plug. Refer to Table 2 for appropriate torque values and drill sizes. Drill through the stem, using the hole in the valve plug as a guide. Remove any chips or burrs and drive in a new groove pin to lock the assembly.
8. If the seal ring appears damaged, remove and replace with a new one. Be careful not to scratch the ring groove surfaces. Damage to the ring groove surface may prevent the new ring from sealing properly. The seal ring must either be pried or cut from the groove and therefore cannot be reused. If possible, lapping of metal seats should be done before seal ring installation. Refer to the "Lapping Metal Seats" procedure in this manual.

**Reassembly Continued,**

- 8a. For valve bodies using a carbon-filled TFE piston ring, locate the split and slightly spread the ring. Install the ring over the stem and onto the piston ring groove on the valve plug. Graphite piston rings are supplied as a complete ring and must be broken into two sections. The piston ring can be broken in half by scoring, and then breaking over a hard surface such as the edge of a table. Ensure the broken ends are re-matched when the piston ring is installed in the piston ring groove.
- 8b. Apply a lubricant to both back-up ring and seal rings. Install the back-up ring over the stem and into the piston ring groove. Place the seal ring over the top edge of the valve plug, so that it slips into the groove on one side of the valve plug.
- Cautiously** stretch the seal ring to work it over the top edge of the valve plug. Avoid jerking sharply on the seal, as the TFE in the seal ring needs time to cold flow during the stretching procedure. This stretching may make the seal ring seem loose in the groove; however it will contract to its original size after installation of the cage.
9. When placing the valve plug into the cage, ensure that the seal ring is evenly set in the entrance bevel at the top of the cage to avoid ring damage.
10. Mount bonnet to the body.
11. Tighten the bonnet to body bolts. Refer to Table 2 for recommended torques.

Always adhere to accepted bolting practices and lubricate bolts. Correct tightening of the bonnet bolts accomplishes the following:

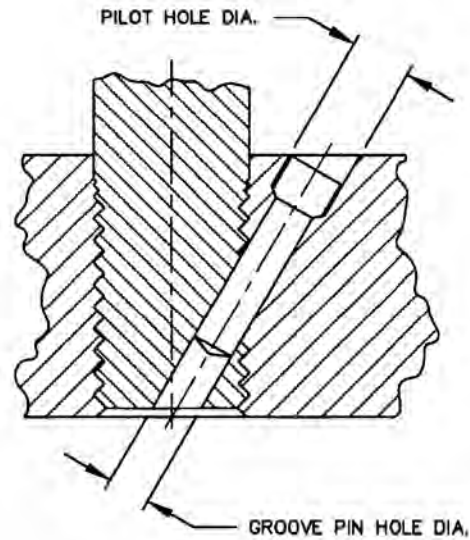
- a) The spiral wound gasket will compress enough to load and seal the seat ring gasket.
- b) The outer portion of the top gasket will compress so that the bonnet to body connection forms a seal.

**Note: Bolt up characteristics for spiral wound gaskets are such that the tightening of one bolt may loosen another. This will occur with the tightening of all the bolts until the bonnet to body seal is made. Several trials on each bolt are required until, at the given torque, the nut does not turn.**

12. Mount the actuator to the bonnet and make up the stem connection. Refer to "Making up Stem Connection" instructions in this manual.

**Table 1: Stem Torque and Groove Pin Drill Sizes**

Valve Stem Connection (VSC)		Torque Min/Max Values		Groove Pin Drill Size
Inches	Mm	Lbf-Ft	N-m	Inches
3/8	9.5	40-47	25-35	3/32
1/2	12.7	81-115	60-85	1/8
3/4	19.1	237-339	175-250	3/16
1	25.4	420-481	310-355	1/4
1-1/4	31.8	827-908	610-670	1/4



**Table 2: Body to Bonnet Bolt Torques**

Valve Size Inches	Bolt Torques	
	SA 193-B7	
	Lbf-Ft	N-m
1-1/4 or less	95	133
1-1/2, 1-1/2x1m, 2, 2x1	71	100
2-1/2, 2-1/2x1-1/2	95	133
3, 3x2, 3x2-1/2	125	175
4, 4x2-1/2, 4x3	200	280
6	405	567

## Packing Maintenance

### TFE V-Ring Packing

Except where indicated, refer to Figure 7 for part descriptions used in the following procedure.

1. For spring loaded single TFE V-ring packing, the spring (key 8) maintains the sealing force on the packing. If leakage is detected around the packing follower (key 13), tighten the packing flange nuts (key 5) until the leakage stops. If the shoulder of the packing box is touching the bonnet and leakage cannot be controlled in this manner, see "Packing Replacement".

### Packing Replacement

1. Once the actuator and bonnet have been separated from the body (refer to Steps 1-2 of Disassembly procedure), remove the following from the bonnet:
  - a. Packing flange nuts (key 5)
  - b. Packing flange (key 3)
  - c. Felt wiper (key 12)
  - d. Packing follower (key 13)
2. Clean the packing box bore, spring (key 8), washer (key 10), and the packing box ring (key 11).
3. Install the valve plug assembly and mount the bonnet to the body using new gaskets. Use the sequence shown in Figure 4 to install new packing and associated parts. Be sure not to damage the packing during installation. Replace the packing flange (key 3), tighten the packing flange nuts (key 5) until the shoulder of the packing follower (key 13) is approximately 5/8" from the top of the bonnet. If leakage is detected around the packing follower, tighten the packing flange nuts until the leakage stops.
4. For graphite packing, tighten the packing flange nuts to the maximum torque value in Table 3. Then back off the nuts and retighten them to the minimum torque value in Table 3.
5. For other Packing Types, in small equal increments, tighten the flange nuts until one of the nuts reach the minimum torque shown in Table 3. Then, tighten the other nut until the packing flange is level.
6. Mount the actuator and set the stem connector to the required travel. Refer to "Making Up Stem Connection" procedure.

## Packing Lubrication

The use of semi-metallic packing requires the use of a lubricator or lubricator/isolating valve (figure 3). The lubricator or lubricator/isolating valve is mounted in place of a pipe plug (key 14, figure 6, 7). For standard service up to 450°F, use Dow Corning lubricant or equivalent.

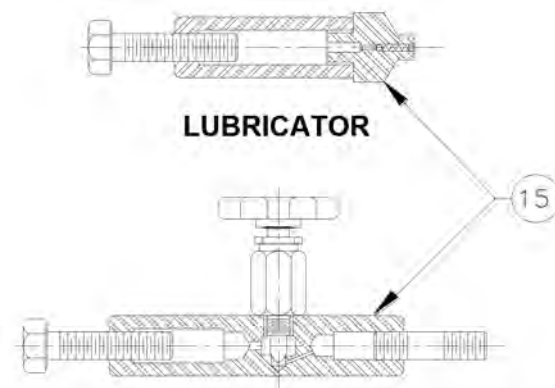
**Lubricator:** To add lubricant to the packing box, turn the cap screw in a clockwise direction.

**Lubricator/Isolating Valve:** Open the isolating valve, turn the cap screw in a clockwise direction, then close the isolating valve.

## Lapping Metal Seats

In any valve body, a certain amount of leakage should be expected with metal-to-metal seating. However, if the leakage becomes excessive, lapping can enhance the condition of the seating surfaces of the valve plug and seat ring. Deep nicks in the seating surface should be removed by machining rather than lapping. There are many lapping compounds available commercially. Be sure to use one of high quality. Apply lapping compound to the bottom of the plug.

In order to position the cage and seat ring properly and to help align the valve plug with the seat ring, bolt the bonnet to the body with gaskets (the old gaskets can be used) in place during the lapping procedure. A simple handle can be made from a piece of metal secured to the valve stem with nuts. Rotate the handle in opposite directions to lap the seating surfaces. Once lapping is complete, disconnect the bonnet, clean the seating surfaces, reassemble and then test for shutoff. If leakage is still excessive, repeat the lapping procedure.



**LUBRICATOR/ISOLATING VALVE**  
**Figure 3: Lubricator and Lubricator/ Isolating Valve**

SERIES ED AND ET 1-6 INCH CONTROL VALVES

Table 3: Torque Values for Packing Flange Nuts

Valve Stem Diameter		ANSI Rating	PTFE Type Packing				Graphite Type Packing			
Inches	Mm		Min. Torque		Max. Torque		Min. Torque		Max. Torque	
			Lbf-in	N-m	Lbf-in	N-m	Lbf-in	N-m	Lbf-in	N-m
3/8	9.5	150	13	1	19	2	27	3	40	5
		300	17	2	26	3	36	4	53	6
		600	23	3	35	4	49	6	73	8
1/2	12.7	150	21	2	31	4	44	5	66	8
		300	28	3	42	5	59	7	88	10
		600	39	4	58	7	81	9	122	14
3/4	19.1	150	47	5	70	8	99	11	149	17
		300	64	7	95	11	133	15	199	23
		600	87	10	131	15	182	21	274	31
1	25.4	300	108	12	162	18	226	26	339	38
		600	149	17	223	25	310	35	466	53
1-1/4	31.8	300	152	17	228	26	318	36	477	54
		600	209	24	314	36	437	49	655	74

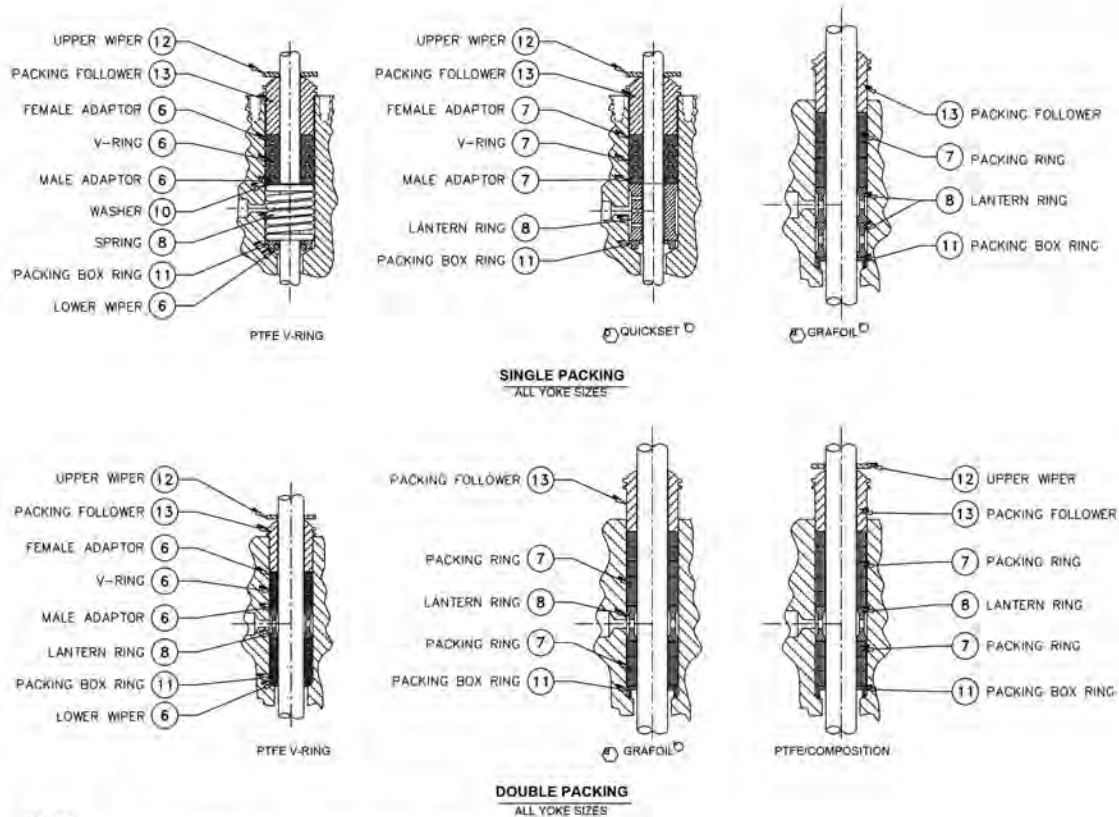


Figure 4: Packing Arrangements- See Table 3 for recommended torque values.

## MAKING UP STEM CONNECTION

### Direct Acting Actuator

Refer to Figure 5 for part descriptions used in the following procedure.

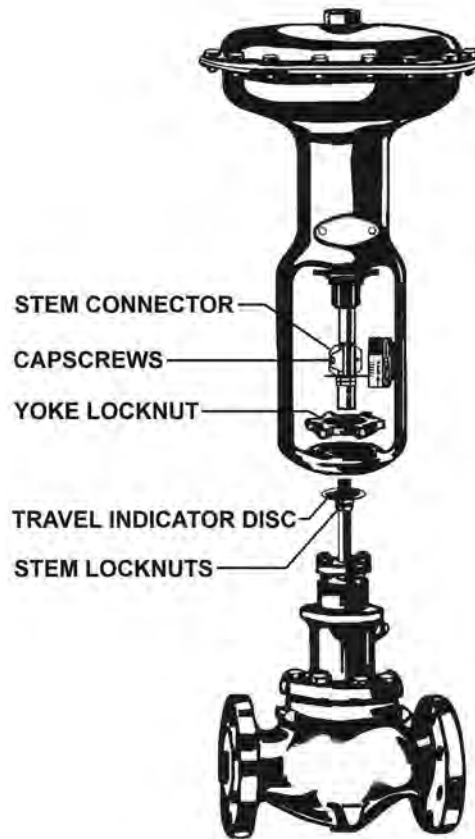
1. Move the valve plug to the closed position.
2. Thread stem locknuts onto the stem and set the travel indicator disc on these nuts. The cupped portion of the indicator disc should face downward.
3. Move the valve plug stem up the required travel and attach the stem connector. Make sure there is full engagement of the actuator stem threads. Place the two cap screws in the stem connector and tighten only slightly at this time. Position the travel indicator disc against the bottom of the stem connector by tightening the stem lock nuts slightly.
4. The travel indicator should indicate the valve to be wide open with no pressure on the diaphragm. If it does not, loosen the screws that hold the travel indicator scale and move the scale to the position required.
5. Apply varying pressures to the diaphragm case and observe the valve travel. Make certain that the valve plug seats on the seat ring.

**Note: If the travel is not correct on units with plain or extension bonnets, the travel can be corrected by screwing the valve plug stem either into or out of the stem connector. Always use a wrench on the lock nuts to turn the stem. Do not use pliers or a pipe wrench directly on the stem itself. Make sure not to turn the valve plug while it is on the seat.**

### Reverse Acting Actuator

Refer to Figure 5 for part descriptions used in the following procedure.

1. Move the valve plug to closed position.
2. Thread stem locknuts onto stem then set the travel indicator disc on these nuts. The cupped portion of the indicator disc should face downward.
3. Move the valve plug stem up the required travel and attach the stem connector. Make sure there is full engagement of the actuator stem threads. Place the two cap screws in the stem connector and tighten only slightly at this time. Position the travel indicator disc against the bottom of the stem connector by tightening the stem lock nuts slightly.



**Figure 5: Actuator Mounting**

4. The travel indicator should indicate the valve to be wide open with non pressure on the diaphragm. If it does not, loosen the screws that hold the travel indicator scale and move the scale to the required position.
5. Apply varying pressures to the diaphragm case and observe the valve travel. Make certain that the valve plug seats on the seat ring.

**Note: If the travel is not correct on units with plain or extension bonnets, the travel can be corrected by screwing the valve plug stem either into or out of the stem connector. Always use a wrench on the lock nuts to turn the stem. Do not use pliers or a pipe wrench directly on the stem itself. Make sure not to turn the valve plug while it is on the seat.**

## PARTS ORDERING

A serial number identifies every Mark E Series valve body-bonnet assembly, which can be found on the front of the valve. Please refer to this number when contacting your Jordan Valve Representative.

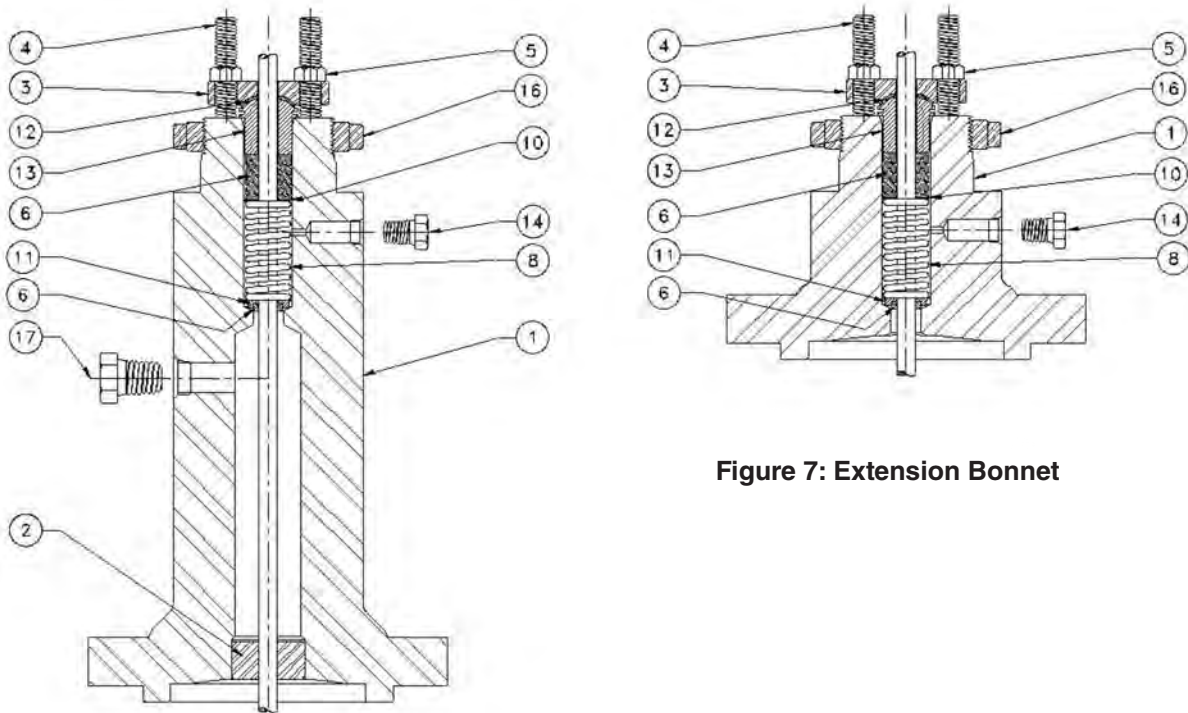


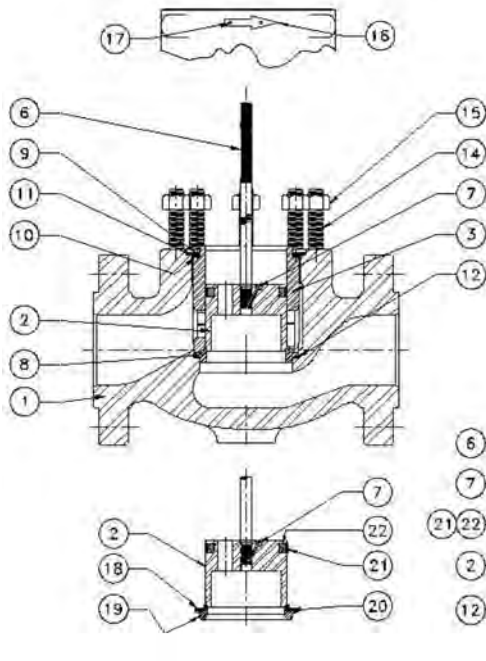
Figure 7: Extension Bonnet

Key	Part Name	Key	Part Name
1	Bonnet	10	Special Washer (TFE Packing Only)
2	Bushing (Extension bonnets only)	11	Packing Box Ring
3	Packing Flange	*12	Upper Wiper
4	Packing Flange Stud	13	Packing Follower
5	Packing Flange Nut	14	Pipe Plug
*6	Packing (TFE V-Ring Packing Only)	15 <sup>1</sup>	Lubricator or Lubricator/Isolating Valve <sup>2</sup>
*7 <sup>1</sup>	Packing Ring (Not req'd with TFE Packing)	16	Yoke Locknut (2-1/8, 2-13/16, 3-9/16 Yoke Bosses)
8	Spring / Lantern Ring	17	Pipe Plug
*9 <sup>1</sup>	Packing Ring (Not req'd with TFE Packing)	(*) Recommended Spare Part (1) Not Shown (2) See Packing Lubrication	

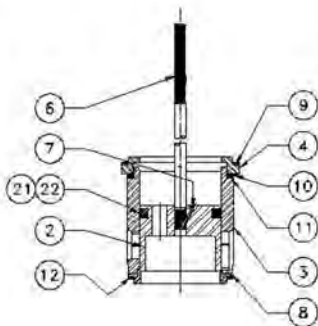
**Mark E Series Parts Reference List**

Body

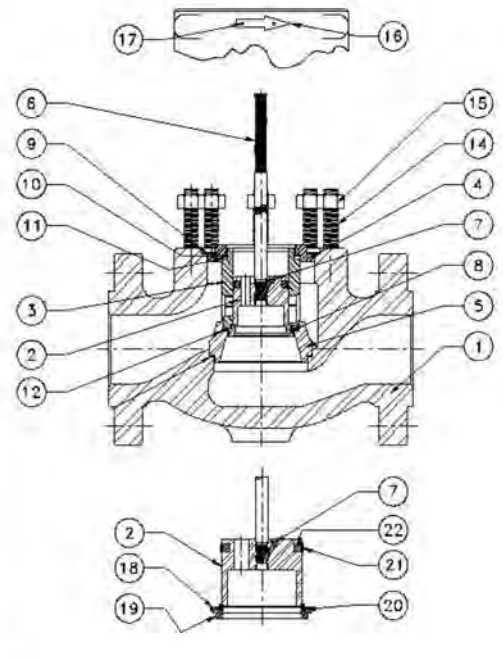
Key	Part Name	Material	Key	Part Name	Material
^1	Valve Body	---	14	Stud	Steel
*2	Plug	316 SS	15	Hex Nut	Steel
3	Cage	---	16	Flow Direction Arrow	316 SS
4	Cage Adaptor (Except 6/4 Restricted Trim)	17-4 DHT	17	Drive Screw	316 SS
5	Seat Ring Adaptor	316 SS	*18	Disc Retainer (Composition Seat)	316 SS
*6	Stem	316 SS	*19	Disc Seat (Composition Seat)	316 SS
*7	Groove Pin	316 SS	*20	TFE Disc	TFE
*8	Seat Ring (Metal Seat Only)	316 SS	*21	Seal Ring	Carbon Filled TFE
*9	Bonnet Gasket	Non Asbestos	*22	Back-up Ring	Viton/EPDM
*10	Cage Gasket	Non Asbestos	(*) Recommended Spare Parts (A)-Consult Jordan Valve Representative for Valve Body style, size and material availability		
*11	Spiral Wound Gasket	316 SS Non Asbestos			
*12	Seat Gasket	Non Asbestos			



**Figure 8: JCVS Mark E Series with Full Capacity**



**Figure 9: Trim for 1-1/2 x 1 Valve Body**



**Figure 10: JCVS Mark E Series with Restricted Trim**



Mark E Series Trim Parts List

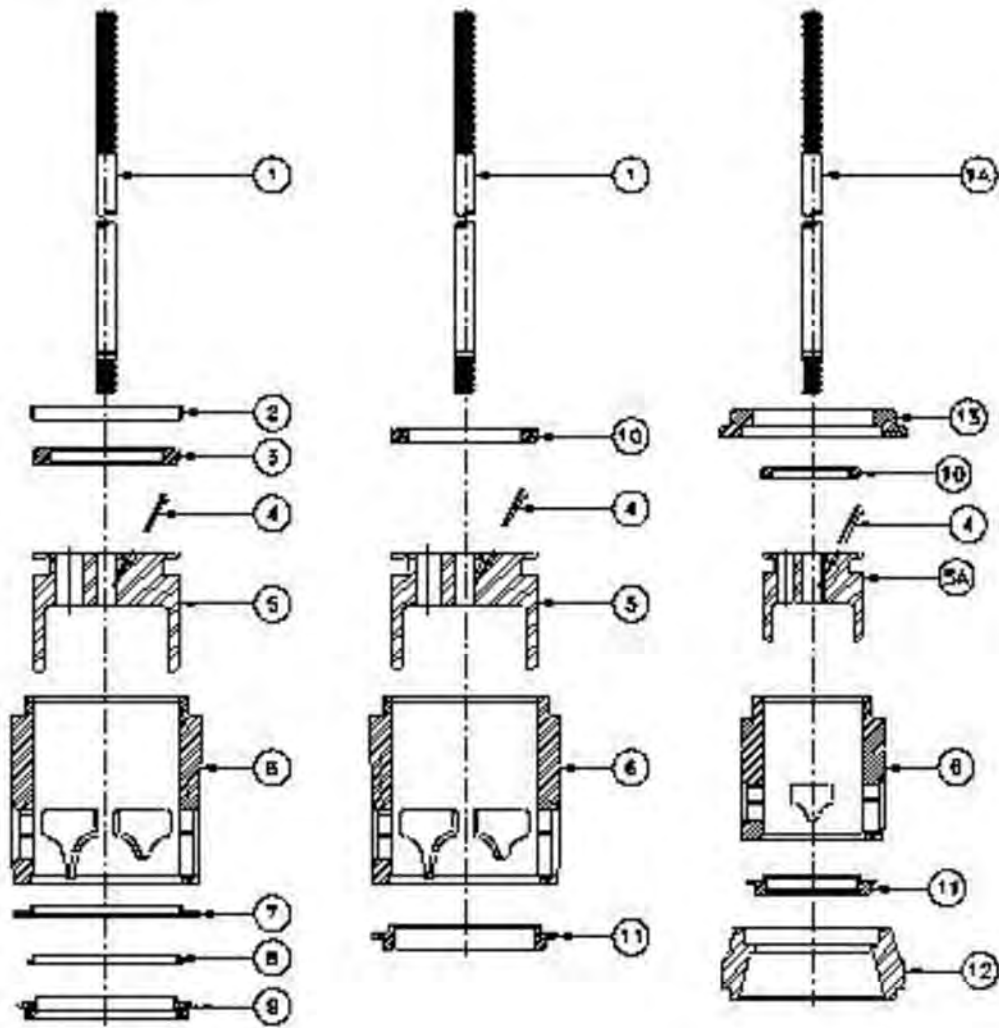


Figure 11: JCVS Mark E Series Internal Assemblies – See Following Tables

**Mark E Series Trim Parts List**

Key 1, 1A, 5 and 5A (Optional Materials Available upon Request\*)

"ED" & "ET" Body Size (In)	VSC (In)	Key 4	Key 1	Key 5-Plug		"ET" Body Size (In)	VSC (In)	Key 5A-Plug		
		Groove Pin	Stem	316 SS <sup>A</sup>	416 SS			316 SS <sup>A</sup>	416 SS	
1	3/8	1V32263507	1U38883516	1V65713507	1V65714617	1-1/2 x 1	3/8	1V65713507	1V65714617	
	1/2	1V32273507	1U38903516	1V65723507	1V65724617					
1-1/2	3/8	1V32253507	1U38883516	1V63733507	1V63734617	2 x 1	1/2	1V65723507	1V65724617	
	1/2	1V32273507	1U38903516	1V65743507	1V65744617					
2	1/2	1V32263507	1K58693516	1V65753507	1V65754617	x 1-1/2	1/2	1V65743507	1V65744617	
	3/4	1V32603507	1U22653516	1V65763507	1V65764617					
2-1x2	1/2	1V32263507	1U23053516	1V65773507	---	3 x 2	1/2	1V65753507	1V65754617	
	3/4	1V32603507	1U23083516	1V65783507	1V65764617					
3	1-2	1V32263507	1U23053516	1V65793507	1V65794617	4 x 2-1/2	3/4	1V65783507	1V65784617	
	3/4	1V32273507	1U23053516	1V65803507	1V65804617					
4	1/2	1V32263507	1U23053516	1V65813507	1V65814617	"ET" Body Size (In)	VSC (In)	Key 1A		
	3/4	1V32603507	1K58773516	1V65823507	1V65824617			Stem		
	1	1V33403507	1K75903516	1V65833507	1V65834617					
6	3/4	1V32603507	1L99643516	1V65843507	1V65844617	1-1/2 x 1	3/8	1U22363516		
	1	1V33403507	1N70473516	1V65853507	1V65854617			1/2	1K58693516	
	3/4		1K41543516	1V65863507	1V65864617				1U38903516	
(A) - Not for use with 17-4PH SS Cages above 410°F (210°C); use High Temp Plugs for these applications						2 x 1	1/2	1U38903516		
						2-1/2 x 1-1/2	1/2	1U38903516		
						3 x 2	1/2	1K58693516		
							3/4	1U22653516		
						4 x 2-1/2	1/2	1U23053516		
							3/4	1U23083516		
6 x 4	3/4	1L99643516								

\* Tungsten Carbide and Cobalt Trim available upon request, Contact a Jordan Valve Representative for more information.

**Mark E Series Trim Parts List**

Key 2 & 3 Seal Ring and Back-Up Ring

"ET" Body Size (In)	Key 2 Seal Ring	Key 3 Back-Up Ring	
	TFE Carbon Filled	0°F to 400°F Viton (Std)	-65°F to 300°F EPDM
1, 1-1/2 x 1, 2 x 1	1V65910509	1V65900529	1V65900042
1-1/2, 2-1/2 x 1-1/2	1V65930509	1V65920529	1V65920032
2, 3 x 2	1V55080509	1V55070529	1V55070042
2-1/2, 4 x 2-1/2	1V65950509	1V65940529	1V65940032
3	1V65970509	1V65960529	1V65960032
4, 6 x 4	1V65990509	1V65980509	1V65980022
6	1V66010509	1V66000529	1V66000022

Key 6 Cage

"ET" and "ED" Body Size (In)	Equal Percentage			
	17-4 PH SS Hardened	316 SS		Alloy 6
		Nickel Coated	Chrome Plated	
1, 1-1/2 x 1, 2 x 1	2U21533327	2U74084893	2U69134610	2U21533910
1-1/2, 2-1/2 x 1-1/2	2U21953327	2U74094893	2U69194610	2U21953910
2, 3 x 2	A2U22373327	2U74104893	2U269224610	2U22373910
2-1/2, 4 x 2-1/2	2U22793327	2U74114893	2U69254610	2U22793910
3	1U13213327	2U74124893	2U69284610	2U23213910
4	2U23633327	2U74134893	2U69314610	2U23633910
6	2U50593327	2U80674893	2U69374610	2U50593910
6 x 4	2V37233327	2V37134893	2V37164610	2V37233910

TFE V-Ring Packing (Not Shown) (Optional materials available upon request)

Part	Stem Size (In)				
	3/8	1/2	3/4	1	1-1/4
Packing	1R29000101	1R29020101	1R29040101	1429060101	1R29080101

**Mark E Series Trim Parts List**

Key 7, 8, 9 Disc Seat Retainer

"ET" Body Size (In)	Key 7	Key 8	Key 9
	Composition Seat		
	Disc Retainer 316 SS	Disc (TFE) -70°F to -350°F	Disc Seat 316 SS
1, 2 x 1	1V71003507	1V71710624	1V71023507
1-1/2, 2-1/2 x 1-1/2	1V71033507	1V71040624	1V71053507
2, 3 x 2	1V71083507	1V71070624	1V71063507
2-1/2, 4 x 2-1/2	1V71093507	1V71100624	1V71133507
3	1V71123507	1C71130624	1V71143507
4	1V71153507	1V71160624	1V71173309
6	1V71183507	1V71190624	1V71203309
6 x 4	1V71233507	1V71160624	1V71243507

Key 10 Piston Ring

"ED" Body Size (In)	TFE Carbon Filled
1, 1-1/2 x 1, 2 x 1	1U21730509
1-1/2, 2-1/2 x 1-1/2	1U22150509
2, 3 x 2	1U22570509
2-1/2, 4 x 2-1/2	1U22990509
3	1U23410509
4, 6 x 4	1U23910509
6	1U50680509

Key 11 Seat Ring

"ED" Body Size (In)	Key 11 Metal Seat		
	316 SS	416 SS	ALLOY 6
1, 2 x 1	1U22253507	1U22254617	1U22253910
1-1/2 x 1	1U22203507	1U22204617	1U22203910
1-1/2, 2-1/2 x 1-1/2	1U22193507	1U22194617	1U22193910
2, 3 x 2	1U22263507	1U22264617	1U22263910
2-1/2, 4 x 2-1/2	1U22273507	1U22274617	1U22273910
3	1U22283507	1U22284617	1U22283910
4	1U22293507	1U22294617	1U22293910
6	1U50803507	1U50804617	1U50803910
6 x 4	2V37193507	2V37194617	2V37204605

**MARK ED AND ET SERIES 1-6 INCH GLOBE STYLE CONTROL VALVES**

**Mark E Series Trim Parts List**

Key 12 Seat Ring Adaptor and Key 13 Cage Adaptor

"ED" Body Size (In)	Key 12 Seat Ring Adaptor			"ED" Body Size (In)	Key 13 Cage Adaptor		
	Iron & Steel	316 SS	C-5 Chrome Moly		Iron & Steel	316 SS	C-5 Chrome Moly
1-1/2 x 1	Not Req'd	Not Req'd	Not Req'd	1-1/2 x 1	1U22182440	1U22183507	1U22183507
2 X 1	1U22622449	1U22623507	1U22623507	2 X 1	1U12072449	1U12073507	1U12073507
2-1/2 x 1	1U23042449	1U23043507	1U23043507	2-1/2 x 1	1U23022449	1U23023507	1U23023507
3 x 2	1U23462449	1U23463507	1U23463507	3 x 2	1U12462201	1U12463309	1U12462902
4 x 2-1/2	1U23962449	1U23963507	1U23963507	4 x 2-1/2	1U12512201	1U12513309	1U12512902

Gaskets (Not Shown) Temperature to 800°F

"ET" Body Size (In)	Gaskets				
	Gasket Set	Bonnet	Cage	Spiral Wound	Seat Ring
1	1R2860X001	1R2859	142861	1R2860	1R2862
1-1/2	1R3099X001	1R3101	1R3100	1R3099	1R3098
2	1R3297X001	1R3299	1R3298	1R3297	1R3296
2-1/2	1R3845X001	1R3847	1R3846	1R3845	1R3844
3	1R3482X003	1R3484	1R3483	1R3482	1R3481
4	1R3722X001	1R3724	1R3723	1R3722	1J5047
6	1U5085X001	1U5081	1U5083	1U5085	1U5086
6 x 4	1U5085X001	1U5081	1U5081	1U5081	1U5081

Optional materials available. Consult Jordan Valve.



**Jordan Valve, a division of Richards Industries**  
 3170 Wasson Road • Cincinnati, OH 45209  
 513.533.5600 • 800.543.7311 • 513.871.0105 (f)  
 info@richardsind.com • www.jordanvalve.com