

Mark 79/79MX Series

Three-Way Control Valves

The Mark 79 is a pneumatic 3-way control valve for use in either bypass or mixing service. The MK79 utilizes the unique sliding gate trim design to provide excellent control with superior longevity. Each valve contains two sets of sliding gate seats connected to a common valve stem for synchronized movement, whether in bypass or mixing mode.

OPERATION

The Mark 79 is used for diverting service and is ideal for bypassing fluids around coolers or filters. In this configuration, there is one inlet and two outlets. As one outlet closes, the other outlet opens, diverting flow from one channel to the other in accordance to the air signal to the actuator.

The Mark 79MX is used as a combining or mixing valve with two inlets and one outlet. When used as a mixing valve, optimal performance will be achieved with equal pressures on both inlets. Contact factory for further information.

- Sliding gate seats provide:
 - Straight-through flow for increased seat life, quiet operation and excellent rangeability
 - Short stroke for fast response and accurate control
 - Easily interchangeable Cv's
 - Tight shutoff

FEATURES

- Totally enclosed multi-spring actuator minimizes deadband
- Multi-spring actuator can be configured to accept a 3-15 psi signal or other control ranges on request.
- Available with a top-mounted or side mounted positioner



SPECIFICATIONS

Line Sizes: 1-1/2" (DN40), 2" (DN50), 3" (DN80)

End Connections:

- Sizes 1-1/2" & 2" — NPT, BSPT, BSPP, flanged
- Size 3" — flanged
- For smaller sized 3-way valves, see our MK709 and MK800T Series

Body Materials:

- Carbon Steel
- Stainless Steel

Trim Materials:

- 303SS for Carbon steel bodied valves
- 316SS for Stainless Steel bodied valves

Seat Materials:

- Jorcote on SST — Standard
- Jorcote/Jordanic on SST — For severe service
- Chrome Plated SST — Option for light service



Jordan Valve, a division of Richards Industries
3170 Wasson Road • Cincinnati, OH 45209
513.533.5600 • 800.543.7311 • 513.871.0105 (f)
info@richardsind.com • www.jordanvalve.com

SPECIFICATIONS (CONT'D)

Yoke Material: Cast Iron

Actuator: Steel

Stem Packing: Spring loaded Teflon (to 450°F (232°C)) or Braided (above 450°F (232°C))

Service: Steam, oil, gas, air, water, chemicals

Seat Interchangeability: 1-1/2" with 2"

Body Rating: up to 1000 psig (70 bar) and temperatures up to 550°F (288°C) depending upon specific construction. -20°F (-29°C) temperature limit on all materials; for other temperatures, contact Jordan Valve.

Actuator:

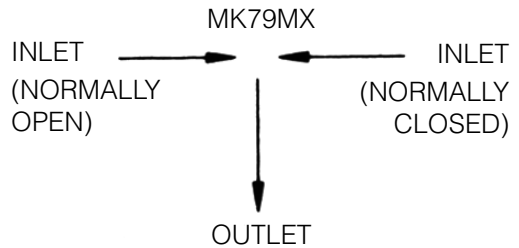
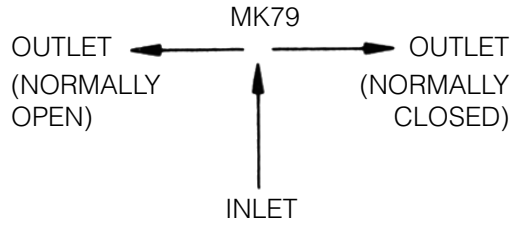
- 1-1/2" & 2" — 35M multi-spring, totally enclosed, field-reversible. Maximum actuator pressure: 50 psi (3,4 bar)
- 3" — 85M multi-spring with or without positioner.

Positioner: side or top mounted available

Shutoff: ANSI Class IV

Range: 3-15 psi (0,2-1 bar); others upon request

FLOW PATHS

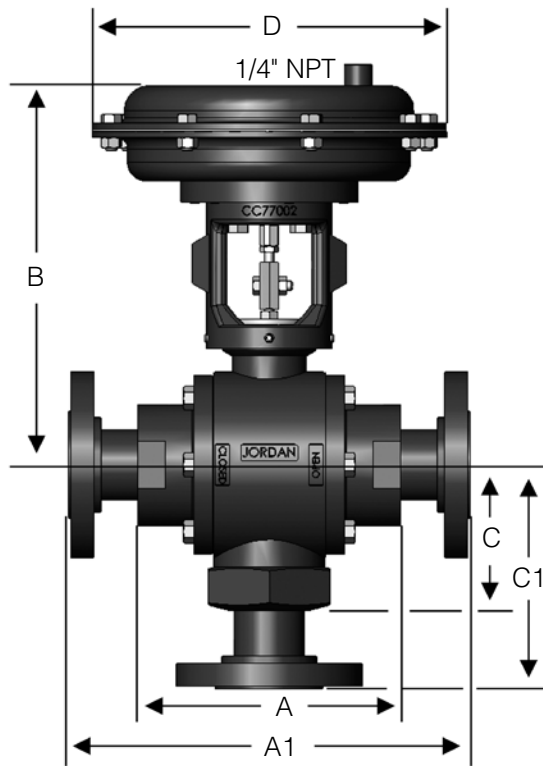


Maximum Allowable Pressure Reductions - Psi (Bar)

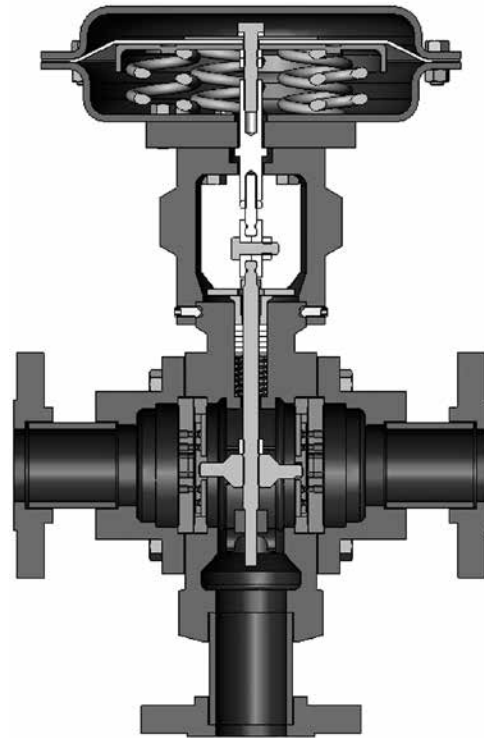
Model	Actuator	Size	Seat Material		
			Stainless Steel	Telfon	Jorcote
79 79MX	35M	1-1/2" - 2"	40 (2,8)	60 (4,1)	70 (4,8)
	55M		75 (5,2)	100 (6,9)	125 (8,6)
	85M		75 (5,2)	175 (12,1)	200 (13,8)
	85M	3"	—	40 (2,8)	—
79SP/TP 79MXSP 79MXTP	35M	1-1/2" - 2"	75 (5,2)	125 (8,6)	150 (10,3)
	55M		75 (5,2)	200 (13,8)	250 (17,2)
	85M		75 (5,2)	250 (17,2)	300 (20,7)
	55M	3"	—	120 (8,3)	120 (8,3)
	85M		—	200 (13,8)	200 (13,8)

Note: Low flow trim available, consult factory for values.

DIMENSIONS



CROSS-SECTION



• **Flanged Ends**

Size	Actuator Size	ANSI Flange	Dimensions (inches)				Weight (lbs.)
			A1	B	C1	D	
1-1/2"	35M	150#	11.00	10.75	6.00	9.50	48
	35M	300#	11.00	10.75	6.00	9.50	54
	55M	150#	11.00	11.95	6.00	12.50	59
	55M	300#	11.00	11.95	6.00	12.50	65
	85M	150#	11.00	12.75	6.00	15.00	68
	85M	300#	11.00	12.75	6.00	15.00	74
2"	35M	150#	11.00	10.75	6.00	9.50	52
	35M	300#	11.00	10.75	6.00	9.50	56
	55M	150#	11.00	11.95	6.00	12.50	63
	55M	300#	11.00	11.95	6.00	12.50	67
	85M	150#	11.00	12.75	6.00	15.00	72
	85M	300#	11.00	12.75	6.00	15.00	76

• **Flanged Ends, DIN**

Size (DN)	Actuator Size	Flange (PN)	Dimensions (mm)				Weight (kg)
			A1	B	C1	D	
40	35M	10/16	279	273	152	241	22
	35M	25/40	279	273	152	241	24
	55M	10/16	279	304	152	318	27
	55M	25/40	279	304	152	318	29
	85M	10/16	279	324	152	381	31
	85M	25/40	279	324	152	381	34
50	35M	10/16	279	273	152	241	24
	35M	25/40	279	273	152	241	25
	55M	10/16	279	304	152	318	29
	55M	25/40	279	304	152	318	30
	85M	10/16	279	324	152	381	33
	85M	25/40	279	324	152	381	34

• **Threaded Ends**

Size	Actuator Size	Dimensions (inches)				Weight (lbs.)
		A	B	C	D	
1-1/2" & 2"	35M	7.12	10.75	3.75	9.50	42
	55M	7.12	11.95	3.75	12.50	53
	85M	7.12	12.75	3.75	15.00	62

• **Threaded Ends, DIN**

Size (DN)	Actuator Size	Dimensions (mm)				Weight (kg)
		A	B	C	D	
40 & 50	35M	181	273	95	241	19
	55M	181	304	95	318	23
	85M	181	324	95	381	28

Contact factory for 3" dimensions

ORDERING SCHEMATIC

1	2	3	4	5	6	7	8	9	10	11	12

1	Model
79	Three-Way Control Valve
79TP	with Top Positioner
79MX	Mixing Control Valve
79MXTP	with Top Positioner

2	Size	
	Inches	DN
150	1-1/2"	DN40
200	2"	DN50

Contact factory for 3" ordering information

3	Material
CS	Carbon Steel (WCB)
S6	Stainless Steel (CF8M)

4	End Connections
PT	NPT
BT	BSPT
BP	BSPP
SW	FSW
F5	150#FE
F3	300#FE
ZZ	Non-Standard

5	Trim
T3	303SS / Teflon Packing
T6	316SS / Teflon Packing
ZZ	Non-Standard

6	Seat Material
A	303SST
B	316SST
V	303SS / Jorcote
W	316SS / Jorcote
X	303SS / Jorcote / Jordanic
Y	316SS / Jorcote / Jordanic

7	Cv (Kv)
9	15.0 (12,93)
A	25.0 (21,55)
B	30.0 (25,86)

8	Actuator						
35M	N3Q3N3	3-15	Dir	85M	A8B8A8	3-15	Dir
	Q3Q3N3	3-15	Rev		B8B8A8	3-15	Rev
	C3B3A3	3-9	Dir		C8B8A8	3-9	Dir
	D3B3A3	3-9	Rev		D8B8A8	3-9	Rev
	E3B3A3	9-15	Dir		E8B8A8	9-15	Dir
	F3B3A3	9-15	Rev		F8B8A8	9-15	Rev
	G3B3A3	6-30	Dir		G8B8A8	6-30	Dir
	H3B3A3	6-30	Rev		H8B8A8	6-30	Rev
	A5B5A5	3-15	Dir		ZZ	Non-Standard	
	B5B5A5	3-15	Rev				
55M	C5B5A5	3-9	Dir				
	D5B5A5	3-9	Rev				
	E5B5A5	9-15	Dir				
	F5B5A5	9-15	Rev				
	G5B5A5	6-30	Dir				
H5B5A5	6-30	Rev					

9	Accessories	
00	None	
AR	Air Regulator	
H3	Handwheel 35M Actuator	
H5	Handwheel 55M Actuator	
H8	Handwheel 85M Actuator	
S6	316SS Bolting	
TS	Travel Scale	
ZZ	Non-Standard	

10	Action	
0	None	

11	I/P	
0	None	
3	I/P 35M Actuator 4-20Ma/3-15 psi	
5	I/P 55M Actuator 4-20Ma/3-15 psi	
8	I/P 85M Actuator 4-20Ma/3-15 psi	
9	I/P 35M/55M/85M Actuator 4-20Ma/3-15 psi	
Z	Non-Standard	

