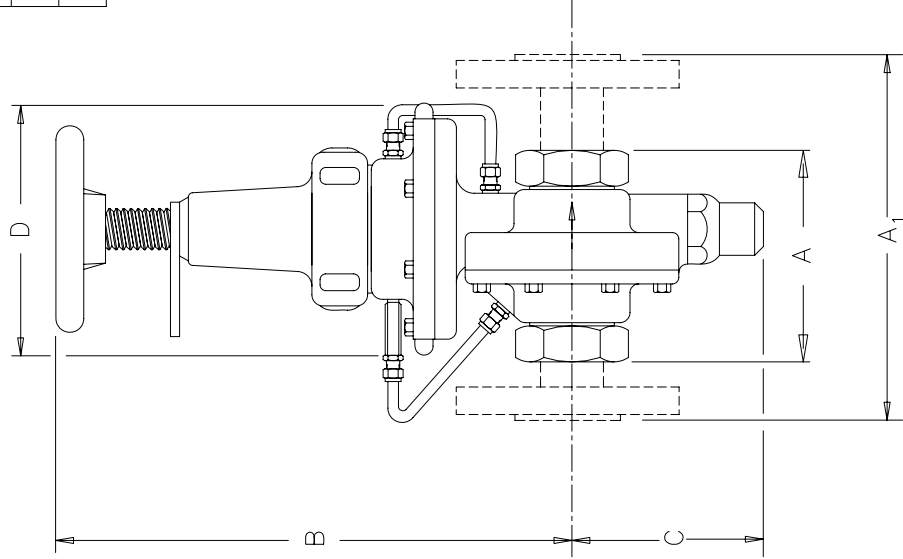


+

THREADED & FSW ENDS				
SIZE	DIMENSIONS, INCHES			WGT. LBS.
	A	B	D	
1/2" & 3/4"	3.75	10.37	3.00	5.87 15
1"	4.12	10.62	3.37	5.87 20
1 1/4"	4.12	10.62	3.37	5.87 20
1 1/2"	4.50	11.00	3.50	5.87 22
2"	4.50	11.12	3.62	5.87 23

FLANGED END						
SIZE	ANSI FLANGE	DIMENSIONS, INCHES				Wt. lbs.
		A ₁	B	C	D	
1/2"	150#	7.25	10.37	3.00	5.87	19
	300#	7.50	10.37	3.00	5.87	21
3/4"	150#	7.25	10.37	3.00	5.87	19
	300#	7.62	10.37	3.00	5.87	23
1"	150#	7.25	10.62	3.37	5.87	26
	300#	7.75	10.62	3.37	5.87	28
1 1/4"	150#	7.88	10.62	3.37	5.87	26
	300#	8.37	10.62	3.37	5.87	28
1 1/2"	150#	8.75	11.00	3.50	5.87	31
	300#	9.25	11.00	3.50	5.87	32
2"	150#	10.00	11.12	3.62	5.87	35
	300#	10.50	11.12	3.62	5.87	37



MK52 & 62

F.N.:MK52

1/2-2" MARK 52 & 62

INTERNAL PILOT OPERATED BACK PRESSURE REGULATOR & PRESSURE REDUCING VALVE.

SPECIFICATION DATA

CUSTOMER _____
 ORDER No. _____ SERIAL No. _____
 TAG No. _____
 VALVE TYPE _____ QTY. _____
 BODY _____
 END CONN. _____ MAX. Δ P _____
 INLET PRESS. _____ SET AT _____
 PRESS. RANGE _____
 VALVE ACTION: RISE IN PRESSURE TO OPEN CLOSE
 VALVE SEAT _____ Cv _____
 MISC. _____
 CERTIFIED _____ DATE _____

 **RICHARDS INDUSTRIES**
 CINCINNATI, OHIO
 U.S.A.

VALVE GROUP

DRAWN BY

JLA

DATE

3/26/96

CHECKED BY

DATE

MK52/62

+