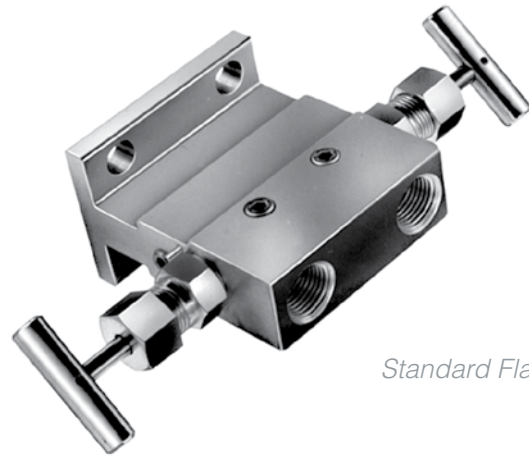


The HM58 Series Level Manifold is a simplified, lower cost alternative to D/P level installations. The HM58 allows the user to construct a level installation with minimal components. This method eliminates the need for tubing, fittings, instrument pipe stands and their associated installation costs.

Features and Benefits

- **Minimize material & installation time:** The HM58 eliminates the need for instrument pipe stands along with the tubing, fittings, and problems associated with remove tubed installations
- **Flexible universal design:** With a universal design, the HM58 can be used for vented or closed tank, bottom or side-mounted installations or for tank top mounted bubbler installations
- **Purge ports available:** Eliminates requirement for signal line tubing, tees or fittings for purge media. With optional purge ports, the purge media is tubed directly into the ports on the bottom of the manifold
- **VOC emissions compliance:** Standard bonnets with unique TFE-Chevron and high temperature 1625G/Grafoil/1625G packing designs have been certified to meet and exceed the 100 ppm EPA 1998 Emission Standards.

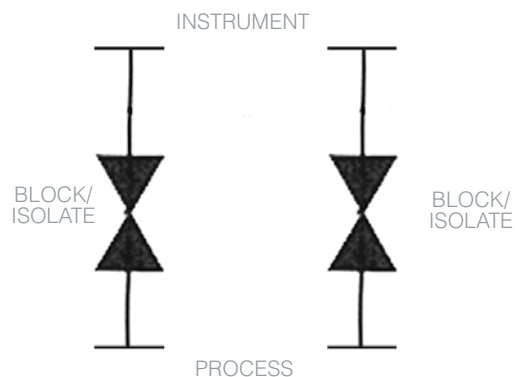


Standard Flange

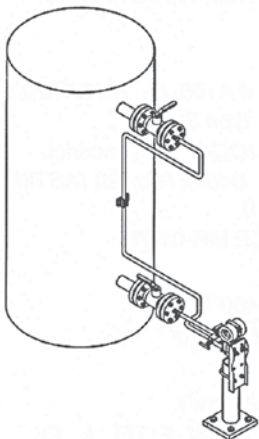
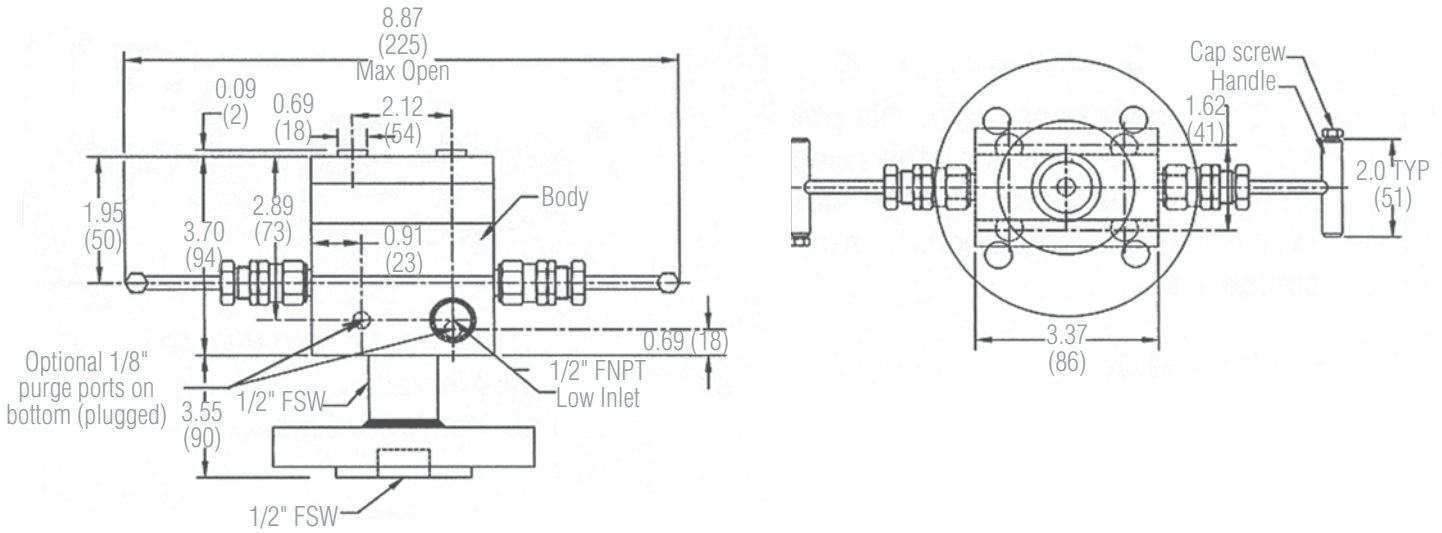


Universal Flange

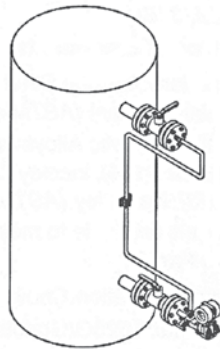
Flow Schematic



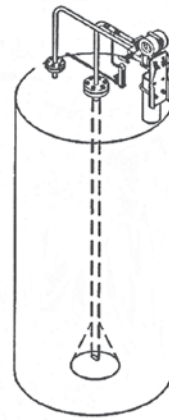
Dimensions



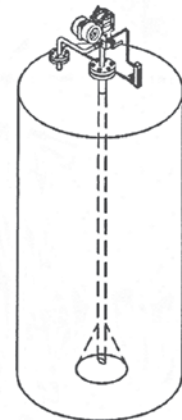
Conventional wet-leg, dry-leg (or double wet-leg) installation using traditional 2 or 3 valve manifold



Simplified wet-leg dry-leg installation using Hex Universal HM58 Series



Conventional tank-top bubbler installation using 3-valve manifold



Simplified tank-top bubbler installation using Hex Universal HM58 Series

How to Order

Model Number	Seat/ Body Configuration	Body Material	Inlet Size	Inlet Type	Outlet Size/ Type	Stem/Tip	Seat Material	Packing	Options	Options
HM58	1 = Hard (6000 psi)	S = CS	3 = 1/2" (FNPT)	3 = FNPT	31 = 1/2" FNPT	2 = 316SS Needle/Plug (Soft seat only)	1 = Integral (hard)	2 = TFE - Chevron	0 = No Selection	K = 1/8" Test Ports
	2 = Soft (3000 psi)	U = SS	5 = 1"	C = 150# ANSI RF Flange	99 = Flanged	4 = 316/316SS NRT	4 = PPS	3 = Graphite	5 = Safety Handle	L = 1/8" Purge Ports
			6 = 1-1/2"	D = 300# ANSI RF Flange			5 = KEL-F		J = SS Mtg Hdwre (Transmitter)	
			7 = 2"				6 = TFE			
			8 = 3"				9 = PEEK			
			9 = 4"							

Sample Ordering Schematic

HM58	1	S	5	C	99	4	1	2	0	L
------	---	---	---	---	----	---	---	---	---	---