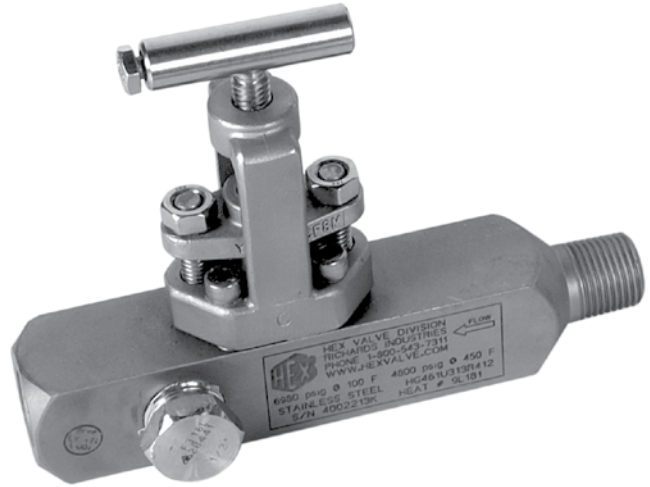


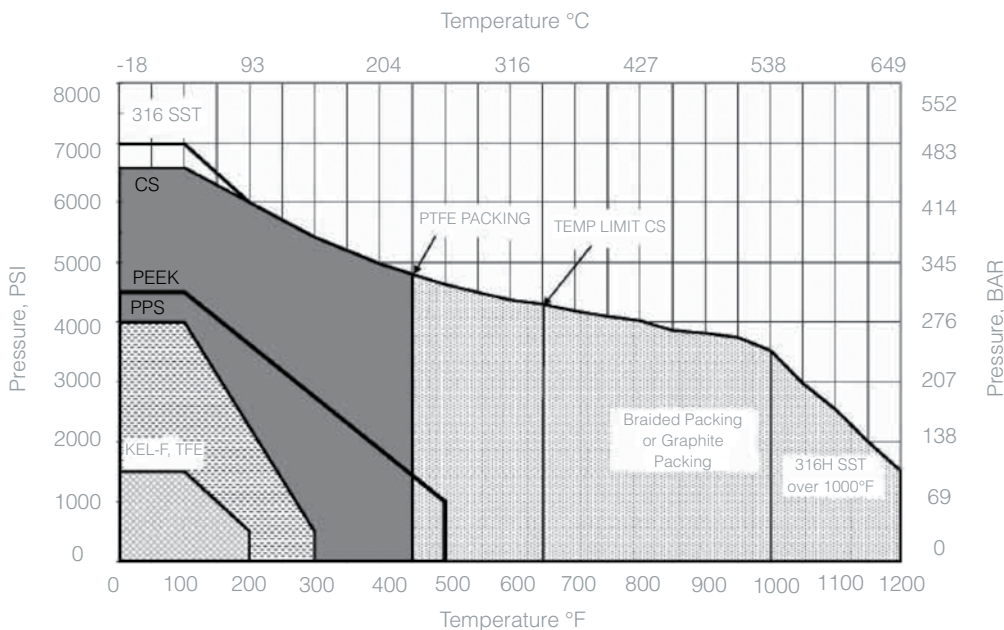
Compared to traditional piping methods using gate valves, tees and nipples, the HG46 provides a quick, inexpensive and compact means of installing gauges and static pressure instrumentation. The use of the HG46 also reduces the number of threaded connections, resulting in fewer potential leak points. The HG46 can be supplied with a bleed valve or needle valve threaded into one of the outlets to allow for combined block and bleed functions in a single, compact unit.

Features and Benefits

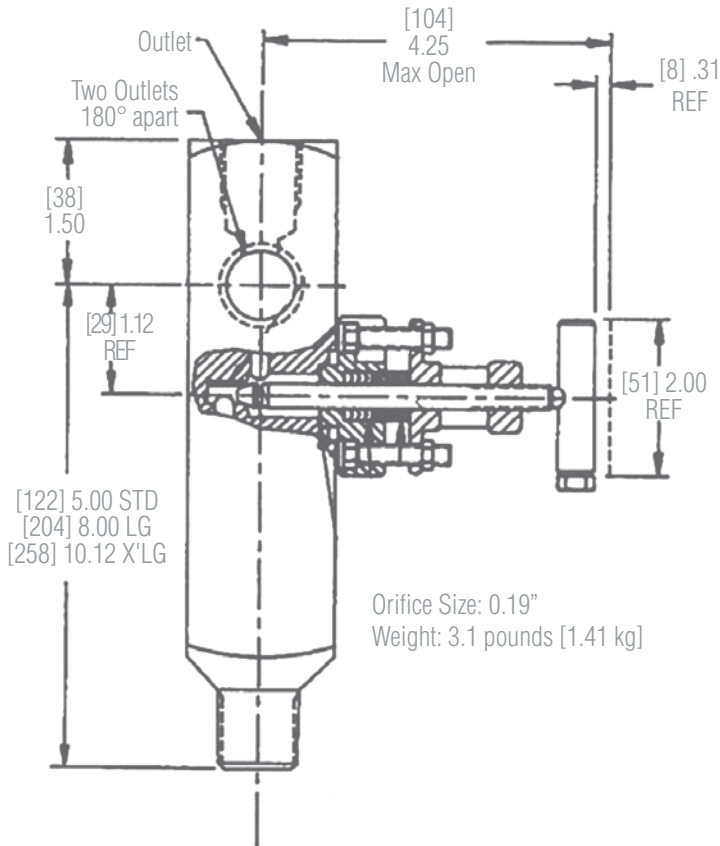
- Cost savings by reducing number of components and leak points.
- Compact design allows for less space to be used with used with other valves.
- Non-rotating tip eliminates seat galling and provides a bubble-tight shut off.
- OS&Y bonnet for added safety.
- Packing below the threads prevents lubricant wash out and corrosion.



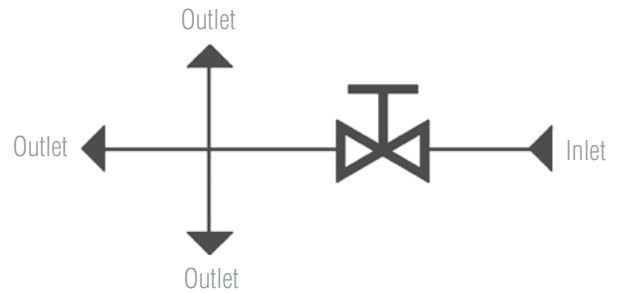
Pressure and Temperature Chart



Dimensions



Flow Schematic



How to Order

Model Number	Seat Configuration	Body Material	Inlet Size	Inlet Type	Outlet Size	Outlet Type	Stem / Tip	Seat Material	Packing	Optional Items
HG46	1 = Hard	S = Carbon Steel (A108)	3 = 1/2"	1 = MNPT	3 = 1/2"	1 = FNPT	2 = 316 SS Needle (soft seat)	1 = Integral	2 = TFE-Chevron	2 = 410 SS Bolting
	2 = Soft	U = Stainless Steel (A108)	4 = 3/4"	2 = MSW		A = HB241	4 = 316 SS NRT	2 = 316 SS Insert	3 = Graphite	
	3 = Hard, "LG" Extension	P = Carbon Steel		3 = FNPT		R = Plug (1)	J = 316 SS NRT / 17-4 PH	4 = PPS		
	4 = Soft, "LG" Extension			4 = FSW		F = HB241 + Plug (1)		5 = KEL-F		
	5 = Hard, "XLG" Extension							6 = TFE		
	6 = Soft, "XLG" Extension							9 = PEEK		

Sample Ordering Schematic

HG46	1	S	3	3	1	1	4	1	2	
------	---	---	---	---	---	---	---	---	---	--