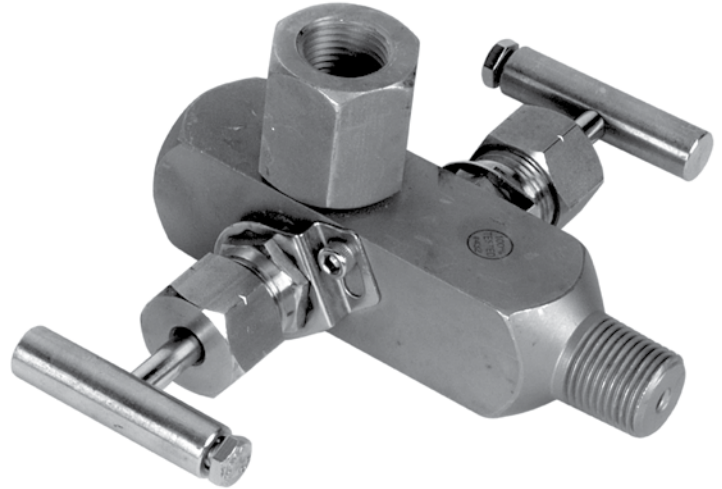


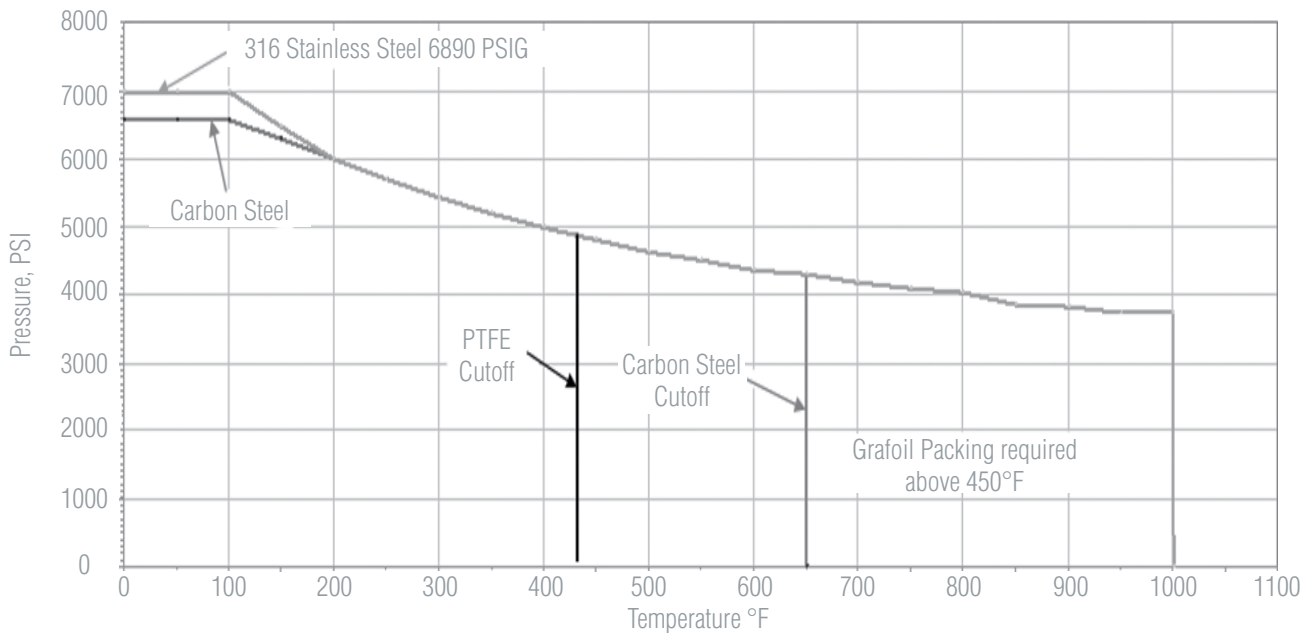
For more critical services, the HB59 Integral Block & Bleed Valve combines a fully packed backseated block valve and a fully packed backseated bleed valve into a single, streamlined assembly that minimizes threaded connections. A major benefit of this design is that, while minimizing connections, cost and installation time are also reduced. A 1/2" FNPT adaptor can accommodate a tube fitting for remote removal of bleed waste. The HB59 is typically used on applications where waste must be returned to the line or holding vessel, as is common with hazardous media or EPA-targeted hydrocarbons.



### Features and Benefits

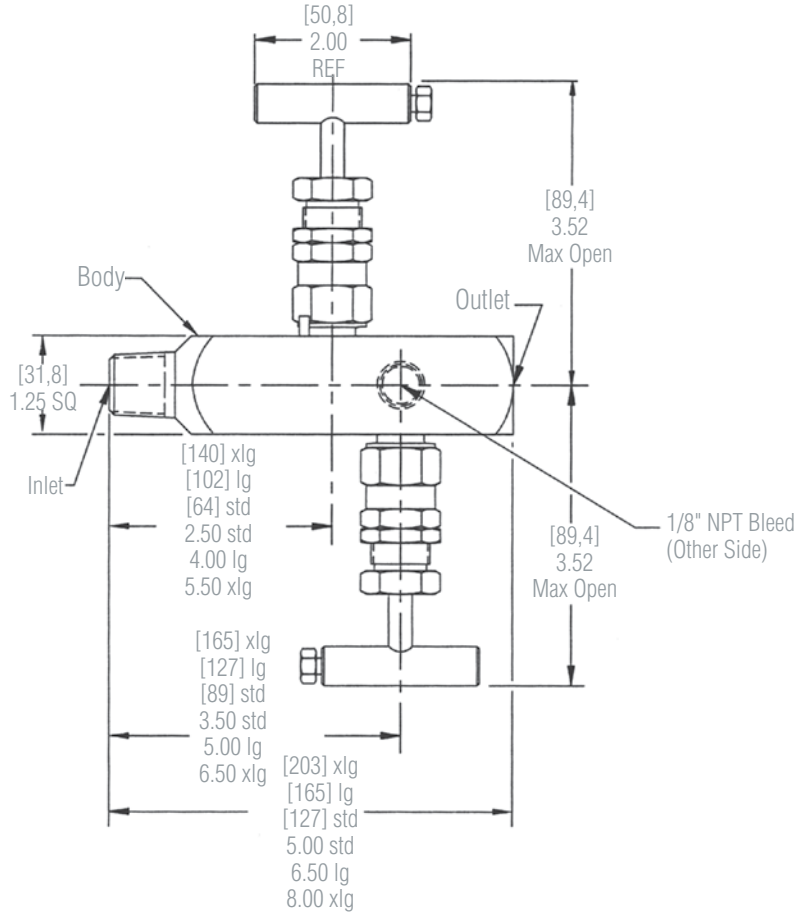
- Cost savings by reducing number of components and leak points.
- Compact design features two valves in one to utilize less space.
- Non-rotating tip eliminates seat galling and provides a bubble-tight shut off.
- Packing below the threads prevents lubricant wash out and corrosion.

### Pressure and Temperature Chart

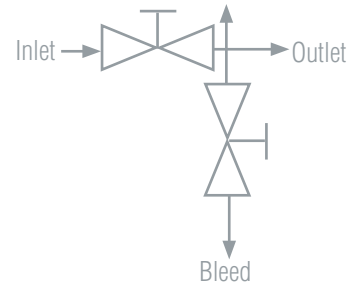


**Dimensions**

Orifice Size: 0.19"  
 Weight: 2.75 pounds  
 (1,25 kgs)



**Flow Schematic**



How to Order									
Model Number	Seat Configuration	Body Material	Inlet Size	Inlet Type	Outlet Size	Outlet Type	Stem / Tip	Seat Material	Packing
HB59	1 = Hard	S = Carbon Steel	3 = 1/2"	1 = MNPT	3 = 1/2"	1 = FNPT	2 = 316 SS Needle (Soft seat only)	1 = Integral	2 = TFE
	2 = Soft Seat	U = Stainless Steel	4 = 3/4"				4 = 316 SS NRT	4 = PPS	3 = Graphite
	3 = Hard, "LG" Extension							5 = KEL-F	
	4 = Soft Seat, "LG" Extension							6 = TFE	
	5 = Hard, "XLG" Extension							9 = PEEK	
	6 = Soft Seat, "XLG" Extension								
	F = Hard / O-Ring								
	G = Soft / O-Ring								

**Sample Ordering Schematic**

HB59	1	S	4	2	3	1	2	1	1
------	---	---	---	---	---	---	---	---	---