



# Electric Automated Ball Valve Package

Series D9  
ANSI 150# Flanged Ball Valve  
Direct Mount

Full Port Valve  
ANSI Class 150#  
Available 1/2" – 6"  
316SS or WCB Body  
316SS Ball & Stem  
Belleville Washers  
Chevron Packing  
RTFE Seats Standard  
Pyramidal Stem Design

### STANDARDS

Design	ANSI B16.34
Face to Face	ANSI B16.10
Flange Dimensions	ANSI B16.5
Pipeline Valves	API 6D
Pressure Testing	API 598
Mounting Pad	ISO 5211
Marking System for Valves	MSS SP-25
Material Certification	EN 10204
Quality Assurance	ISO 9001

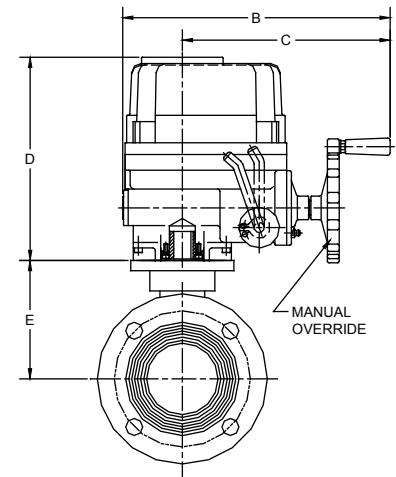
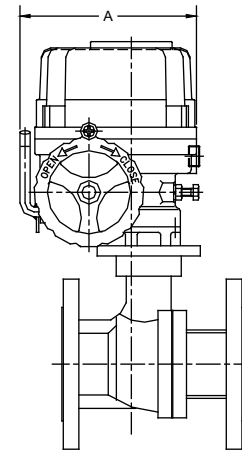


150# Flanged Direct Mount

### DIMENSIONS (IN)

VALVE SIZE	A	B	C	D	E	VALVE Cv
1/4"	5.94	4.09	N/A	5.24	1.84	15
3/4"	5.94	4.09	N/A	5.24	2.02	45
1"	5.94	4.09	N/A	5.24	2.31	85
1-1/2"	5.94	4.09	N/A	5.24	3.51	275
2"	5.94	4.09	N/A	5.24	3.80	460
2-1/2"	9.02	13.31	10.43	10.55	4.57	700
3"	9.02	13.31	10.43	10.55	5.22	1100
4"	10.20	14.49	11.26	11.42	6.18	2200
6"	11.69	16.14	12.09	12.99	8.28	5150

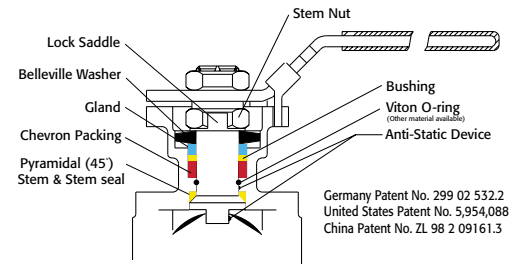
(D) DIMENSION IS FROM CENTERLINE TO END OF HANDWHEEL ON 2-1/2" – 6" OR MODULATING ACTUATORS 1/2" – 2".  
FOR SPECIALS, CONSULT FACTORY



SERIES D9 150# Flanged Direct Mount

ON-OFF	
SIZE	MODEL
1/2"	D9-F1-050/WEA1-XX
3/4"	D9-F1-075/WEA1-XX
1"	D9-F1-100/WEA1-XX
1-1/2"	D9-F1-150/WEA1-XX
2"	D9-F1-200/WEA1-XX
2-1/2"	D9-F1-250/WEC1-XX
3"	D9-F1-300/WEC1-XX
4"	D9-F1-400/WEE1-XX
6"	D9-F1-600/WEH1-XX

MODULATING	
SIZE	MODEL
1/2"	D9-F1-050/WEA2-XX
3/4"	D9-F1-075/WEA2-XX
1"	D9-F1-100/WEA2-XX
1-1/2"	D9-F1-150/WEA2-XX
2"	D9-F1-200/WEA2-XX
2-1/2"	D9-F1-250/WEC2-XX
3"	D9-F1-300/WEC2-XX
4"	D9-F1-400/WEE2-XX
6"	D9-F1-600/WEH2-XX



Germany Patent No. 299 02 532.2  
United States Patent No. 5,954,088  
China Patent No. ZL 98 2 09161.3

SAMPLE PART #  
**D9C-F1-150/WEA1-XX**

Valve Series  
Denotes Carbon Steel  
End Connection (150# Flanged)  
Seat Material (RTFE Seats)  
Valve Size (1-1/2")  
Triac Actuator  
Electric  
Actuator Size  
On-Off  
Voltage  
Feedback

### OPTIONS

DESCRIPTION
24 VAC/24 VDC/220VAC
Feedback potentiometer

NOTE: Heater and thermostat standard  
(2) auxiliary switches standard  
Other options available - call for details  
Actuators are sized based on clean/clear fluid.  
See valve part number matrix for complete part number and options.  
D9EL-20130430  
Copyright 2013 A-T Controls, Inc.



9955 International Blvd.  
Cincinnati, Ohio 45246  
www.atcontrols.com

PHONE (513) 247-5465  
FAX (513) 247-5462  
sales@atcontrols.com

# Valve Options

## Various Seat Materials

PTFE, RTFE, 50/50, 15% CFTE, Delrin PEEK, Hard Facing, UHMWPE, TFM-1600

Several hard face and metal-metal options

## Gear Operators

Quarter-turn Gear Operators

Spring Return "Deadman" Handles

Oval handles, TEE Handles

## Specials and Solutions

Steam Jackets

Stem Extensions

V-ported Control Valves

Multi-port Valve Solutions

Fugitive Emissions Bonnets (TSM's)

Oxygen Cleaning

Lockout Brackets

Vented Balls

"No Play" Mounting Kits

- **FM Approved Valves and Assemblies**



9955 International Blvd.  
Cincinnati, Ohio 45246  
www.atcontrols.com

PHONE (513) 247-5465  
FAX (513) 247-5462  
sales@atcontrols.com

# Other Products

## Special Seats

Balls and Seal Designs



## Steam Jacketed Valves



## Floor Mounted Damper Drives



## Limit Switches

Mounted on Manual Valves



## Fusible Link Assemblies



## 180° Actuators



## Lockout Mounting Kits



## Stem Extensions



## Special Multi-Port Valves



## Dual Valve Assemblies

