



Triac Series 55 Ball Valves feature a high quality investment cast body and ends. They are available 1/4"– 4" with threaded, socket weld and butt weld ends. Superior leak protection is accomplished by using a live-loaded packing system including Belleville washers and double "V" ring packing.

VALVE SIZE	VALVE Cv
1/4"	7
3/8"	8
1/2"	15
3/4"	40
1"	70
1-1/4"	110
1-1/2"	250
2"	400
2-1/2"	600
3"	1100
4"	2000

**Easy to Automate!**

See automated data sheets for pre-sized assemblies



Pneumatic



Electric



**Series 55**  
**3-Piece**  
**Design**

Sizes 1/4" – 4"

Economical

Full Port

ISO 5211 Mounting Pad

800 & 1000 PSI WOG (by size)

Available 316SS or WCB

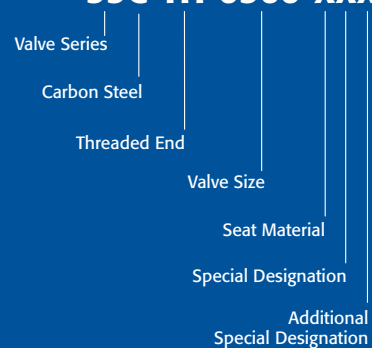
**STANDARDS**

ANSI B16.34, B16.25, B16.11, B1.20.1  
 API 6D  
 BS 5351, 6755  
 ISO 5211  
 MSS SP25, SP72

**HOW TO ORDER**  
**MANUAL VALVES**

SAMPLE PART #

**55C-TH-0300-XXX**



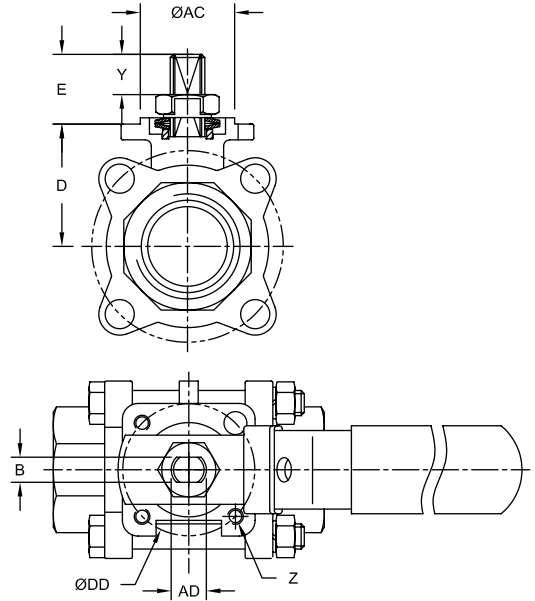
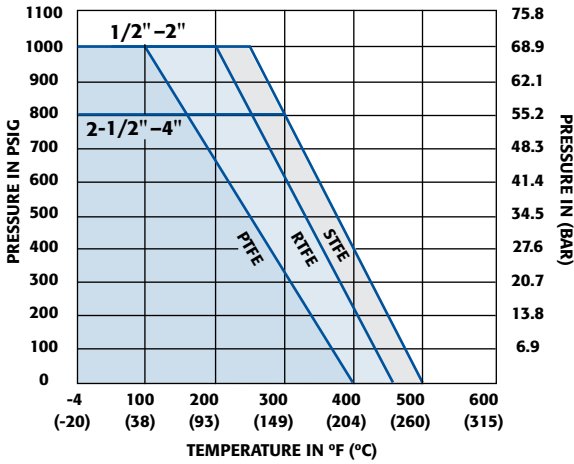
See part number matrix for itemized options



9955 International Blvd.  
 Cincinnati, Ohio 45246  
 www.atcontrols.com

PHONE (513) 247-5465  
 FAX (513) 247-5462  
 sales@atcontrols.com

**Pressure vs. Temperature Chart**

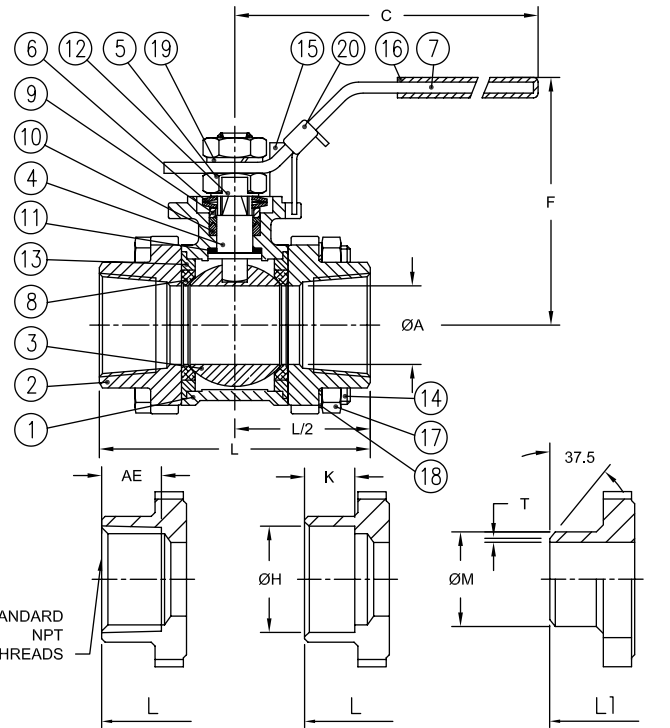


**MATERIALS LIST**

NO.	PART NAME	QTY.	MATERIAL	
			Stainless Steel	Carbon Steel
1	Body	1	CF8M	WCB
2	End Cap	2	CF8M	WCB
3	Ball	1	SS316	SS316
4	Stem	1	SS316	SS316
5	Stem Nut	2	SS304	SS304
6	Belleville Washer	2	SS301	SS301
7	Handle	1	SS304	SS304
8	Seat	2	RTFE	RTFE
9	Gland Bushing	1	SS304	SS304
10	Gland Packing	1 Set	PTFE	PTFE
11	Thrust Washer	1	RTFE	RTFE
12	Stop Washer	1	SS304	SS304
13	Joint Gasket	2	PTFE	PTFE
14	Bolt	*	SS304	SS304
15	Stop Pin	1	SS304	SS304
16	Handle Sleeve	1	Vinyl	Vinyl
17	Nut	**	SS304	SS304
18	Lock Washer	**	SS304	SS304
19	Stem Washer	1	SS304	SS304
20	Locking Device	1	SS304	SS304

SIZE	IN-LBS.
1/4"	62
3/8"	62
1/2"	62
3/4"	80
1"	141
1-1/4"	150
1-1/2"	257
2"	319
2-1/2"	522
3"	691
4"	1151

FOR OTHER SEAT MATERIAL CONSULT FACTORY



STANDARD NPT THREADS

THREADED END      SOCKET WELD END      BUTT WELD END

**DIMENSIONS (IN)**

SIZE	A	B	C	D	E	F	H	K	L	L1	M	T	Y	Z	AC	AD	AE	DD	ISO5211	LBS
1/4"	0.46	0.256	5.12	1.15	0.78	2.95	0.56	0.39	2.51	2.47	0.64	0.06	0.29	M5	0.98	0.374	0.00	1.417	F03	1.4
3/8"	0.50	0.256	5.12	1.15	0.78	2.95	0.69	0.39	2.51	2.47	0.69	0.06	0.29	M5	0.98	0.374	0.00	1.417	F03	1.4
1/2"	0.59	0.256	5.12	1.15	0.78	2.95	0.86	0.39	2.59	2.59	0.89	0.06	0.29	M5	0.98	0.374	0.00	1.417	F03	1.4
3/4"	0.79	0.256	5.12	1.28	0.69	3.03	1.07	0.51	3.00	3.00	1.08	0.06	0.25	M5	0.98	0.374	0.00	1.417	F03	1.7
1"	0.98	0.315	6.30	1.53	0.81	3.35	1.33	0.51	3.39	3.39	1.34	0.06	0.48	M5	1.18	0.433	0.00	1.654	F04	2.4
1-1/4"	1.26	0.315	6.30	1.59	0.96	3.62	1.69	0.51	4.05	4.05	1.68	0.06	0.43	M5	1.18	0.433	0.00	1.654	F04	3.7
1-1/2"	1.50	0.382	7.28	1.82	1.22	4.02	1.93	0.51	4.70	4.70	1.91	0.06	0.54	M6	1.38	0.551	0.00	1.969	F05	5.5
2"	1.97	0.382	7.28	2.15	1.22	4.33	2.41	0.63	5.17	5.17	2.38	0.06	0.54	M6	1.38	0.551	0.00	1.969	F05	8.0
2-1/2"	2.56	0.472	10.24	2.81	1.68	5.91	2.91	0.63	6.46	6.46	3.00	0.08	0.91	M8	2.17	0.748	0.00	2.756	F07	16.2
3"	3.15	0.472	10.24	3.33	1.55	6.38	3.54	0.63	7.19	7.19	3.54	0.08	0.74	M10	2.76	0.748	0.00	4.016	F10	23.5
4"	3.94	0.591	11.42	4.19	2.06	7.48	4.55	0.79	9.28	9.30	4.57	0.14	1.35	M10	2.76	0.945	0.00	4.016	F10	43.7