

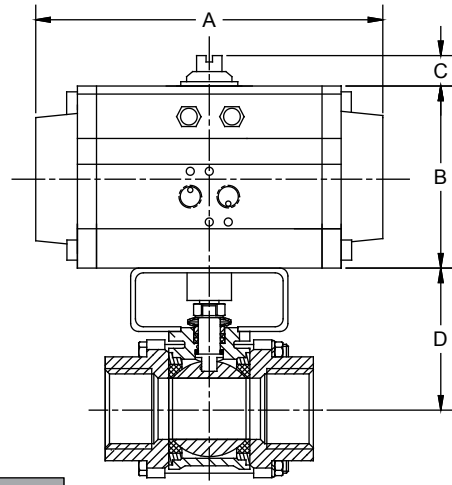


# Pneumatic Spring Return Automated Ball Valve Package

Series 55  
3-Piece Ball Valve  
Full Port Valve  
1000 & 800 psi WOG  
Available 1/4" – 4"  
316SS or WCB Body  
316SS Ball & Stem  
Standard RTFE Seats  
Others Available  
Threaded, SW or BW

### STANDARDS

ANSI B16.34, B16.25, B16.11, B1.20.1  
API 6D  
BS 5351, 6755  
ISO 5211  
MSS SP25, SP72

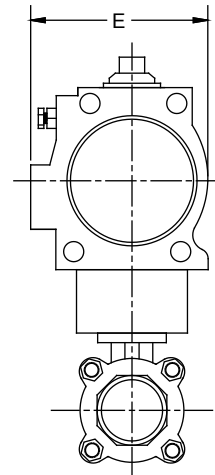


**SERIES 55 3-Piece**

### DIMENSIONS (IN)

VALVE SIZE	A	B	C	D	E	VALVE Cv
1/4"	7.95	3.43	0.79	2.63	3.29	7
3/8"	7.95	3.43	0.79	2.63	3.29	8
1/2"	7.95	3.43	0.79	2.63	3.29	15
3/4"	7.95	3.43	0.79	2.76	3.29	40
1"	9.29	4.49	0.79	3.09	4.41	70
1-1/4"	9.29	4.49	0.79	3.15	4.41	110
1-1/2"	9.29	4.49	0.79	3.39	4.41	250
2"	10.87	4.88	0.79	3.72	4.82	400
2-1/2"	10.87	4.88	0.79	5.43	4.82	600
3"	11.46	5.28	0.79	5.95	5.20	1100
4"	13.90	6.18	0.79	6.81	6.04	2000

DIMENSIONS SHOWN ARE FOR ASSEMBLIES SIZED FOR 80 PSI SUPPLY

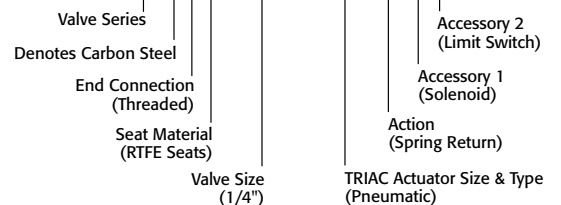


SIZED FOR 80 psi AIR SUPPLY	
SIZE	MODEL
1/4"	55-TX-025/2R2S-XX
3/8"	55-TX-038/2R2S-XX
1/2"	55-TX-050/2R2S-XX
3/4"	55-TX-075/2R2S-XX
1"	55-TX-100/2R3S-XX
1-1/4"	55-TX-125/2R3S-XX
1-1/2"	55-TX-150/2R3S-XX
2"	55-TX-200/2R4S-XX
2-1/2"	55-TX-250/2R5S-XX
3"	55-TX-300/2R6S-XX
4"	55-TX-400/2R7S-XX

SIZED FOR 60 psi AIR SUPPLY	
SIZE	MODEL
1/4"	55-TX-025/2R2S-XX
3/8"	55-TX-038/2R2S-XX
1/2"	55-TX-050/2R2S-XX
3/4"	55-TX-075/2R3S-XX
1"	55-TX-100/2R3S-XX
1-1/4"	55-TX-125/2R3S-XX
1-1/2"	55-TX-150/2R4S-XX
2"	55-TX-200/2R4S-XX
2-1/2"	55-TX-250/2R5S-XX
3"	55-TX-300/2R6S-XX
4"	55-TX-400/2R7S-XX

### SAMPLE PART #

**55C-TX-025/2R2S-XX**



### OPTIONS

DESCRIPTION	PART NO. SUFFIX	DESCRIPTION	PART NO. SUFFIX
NEMA 4 Solenoid	(A)	NEMA 4 Limit Switch (2) spdt	(A)
NEMA 7 Solenoid	(B)	NEMA 7 Limit Switch (2) spdt	(B)

Other options available - call for details  
Actuators are sized based on clean/clear fluid.  
See valve part number matrix for complete part number and options.

55SR-20130430  
Copyright 2013 A-T Controls, Inc.



9955 International Blvd.  
Cincinnati, Ohio 45246  
www.atcontrols.com

PHONE (513) 247-5465  
FAX (513) 247-5462  
sales@atcontrols.com