



**Pneumatic
Spring Return
Automated
Ball Valve Package**
Series FD9
ANSI 150#
Flanged Ball Valve
Direct Mount

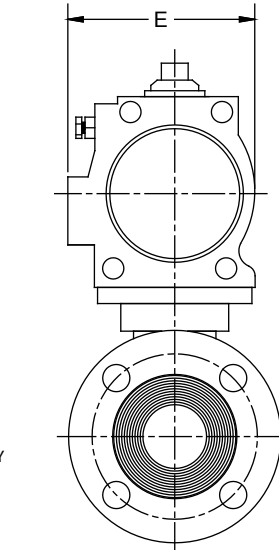
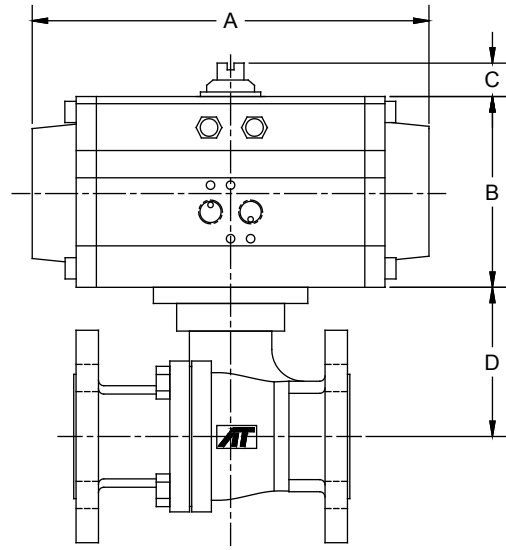
Firesafe
Full Port Valve
ANSI Class 150#
Available 1/2" – 6"
316SS or WCB Body
316SS Ball & Stem
Belleville Washers
Chevron Packing
RTFE Seats Standard
Pyramidal Stem Design

STANDARDS	
Design	ANSI B16.34
Face to Face	ANSI B16.10
Flange Dimensions	ANSI B16.5
Pipeline Valve	API 6D
Pressure Testing	API 598
Fire Testing	API 607 6th Edition, BS 5351
Mounting Pad	ISO 5211
Marking System for Valves	MSS SP-25
Material Certification	EN 10204
Quality Assurance	ISO 9001

**API 607 - 6th Edition
CERTIFIED**



**150# Flanged
Firesafe Tested to API-607
Direct Mount**



DIMENSIONS (IN)

VALVE SIZE	A	B	C	D	E	VALVE Cv
1/2"	7.95	3.43	0.79	1.84	3.29	15
3/4"	7.95	3.43	0.79	2.02	3.29	45
1"	9.29	4.49	0.79	2.31	4.41	85
1-1/2"	10.87	4.88	0.79	3.51	4.82	275
2"	10.87	4.88	0.79	3.80	4.82	450
2-1/2"	13.90	6.18	0.79	4.57	6.04	700
3"	13.90	6.18	0.79	5.22	6.04	1100
4"	15.16	6.93	1.18	6.18	6.69	2200
6"	24.37	10.12	1.18	8.28	9.29	5150

DIMENSIONS SHOWN ARE FOR ASSEMBLIES SIZED FOR 80 PSI SUPPLY

**SERIES FD9 150# Flanged Direct Mount
Firesafe**

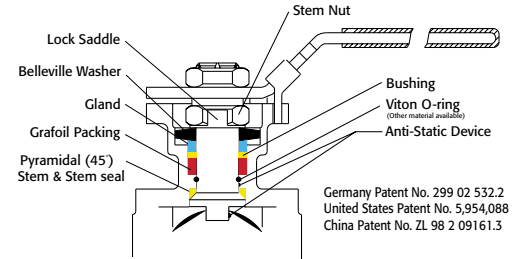
SIZED FOR 80 psi AIR SUPPLY	
SIZE	MODEL
1/2"	FD9-F1-050/2R2S-XX
3/4"	FD9-F1-075/2R3S-XX
1"	FD9-F1-100/2R3S-XX
1-1/2"	FD9-F1-150/2R4S-XX
2"	FD9-F1-200/2R4S-XX
2-1/2"	FD9-F1-250/2R6S-XX
3"	FD9-F1-300/2R6S-XX
4"	FD9-F1-400/2R7S-XX
6"	FD9-F1-600/2R0S-XX

SIZED FOR 60 psi AIR SUPPLY	
SIZE	MODEL
1/2"	FD9-F1-050/2R3S-XX
3/4"	FD9-F1-075/2R3S-XX
1"	FD9-F1-100/2R3S-XX
1-1/2"	FD9-F1-150/2R4S-XX
2"	FD9-F1-200/2R5S-XX
2-1/2"	FD9-F1-250/2R6S-XX
3"	FD9-F1-300/2R6S-XX
4"	FD9-F1-400/2R7S-XX
6"	FD9-F1-600/2R0S-XX

OPTIONS			
DESCRIPTION	PART NO. SUFFIX	DESCRIPTION	PART NO. SUFFIX
NEMA 4 Solenoid	(A)	NEMA 4 Limit Switch (2) spdt	(A)
NEMA 7 Solenoid	(B)	NEMA 7 Limit Switch (2) spdt	(B)

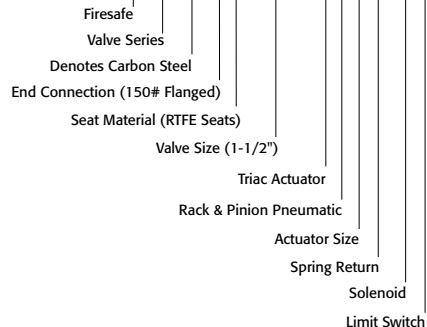
Other options available - call for details
Actuators are sized based on clean/clear fluid.

See valve part number matrix for complete part number and options.



Germany Patent No. 299 02 532.2
United States Patent No. 5,954,088
China Patent No. ZL 98 2 09161.3

**SAMPLE PART #
FD9C-F1-150/2R3S-XX**



9955 International Blvd.
Cincinnati, Ohio 45246
www.atcontrols.com
PHONE (513) 247-5465
FAX (513) 247-5462
sales@atcontrols.com