



Electric Automated Ball Valve Package

Series FD9
ANSI 150# Flanged Ball Valve
Direct Mount



Full Port Valve
ANSI Class 150#
Available 1/2" – 6"
316SS or WCB Body
316SS Ball & Stem
Belleville Washers
Chevron Packing
RTFE Seats Standard
Pyramidal Stem Design

STANDARDS

Design	ANSI B16.34
Face to Face	ANSI B16.10
Flange Dimensions	ANSI B16.5
Pipeline Valve	API 6D
Pressure Testing	API 598
Fire Testing	API 607 6th Edition, BS 5351
Mounting Pad	ISO 5211
Marking System for Valves	MSS SP-25
Material Certification	EN 10204
Quality Assurance	ISO 9001

**API 607 - 6th Edition
CERTIFIED**

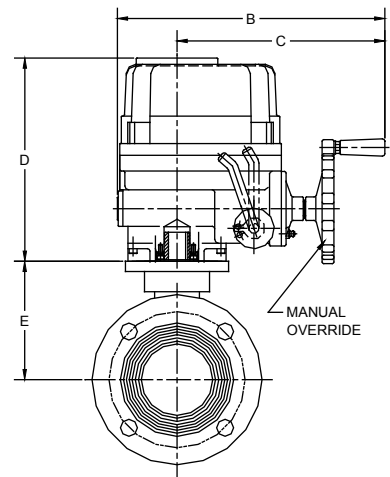
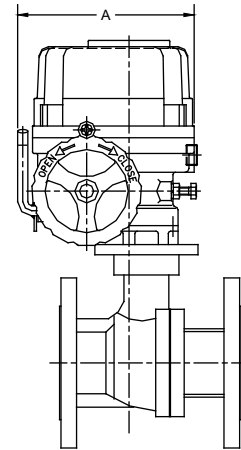


150# Flanged
Firesafe Tested to API-607
Direct Mount

DIMENSIONS (IN)

VALVE SIZE	A	B	C	D	E
1/4"	5.94	4.09	N/A	5.24	1.84
3/4"	5.94	4.09	N/A	5.24	2.02
1"	5.94	4.09	N/A	5.24	2.31
1-1/2"	5.94	4.09	N/A <td 5.24	3.51	
2"	5.94	4.09	N/A	5.24	3.80
2-1/2"	9.02	13.31	10.43	10.55	4.57
3"	9.02	13.31	10.43	10.55	5.22
4"	10.20	14.49	11.26	11.42	6.18
6"	11.69	16.14	12.09	12.99	8.28

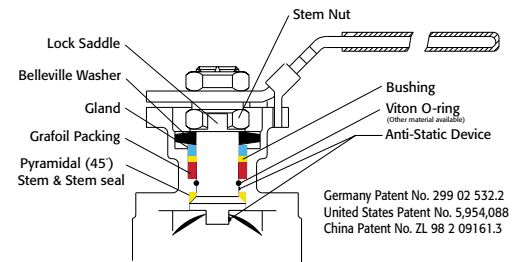
VALVE Cv
15
45
85
275
460
700
1100
2200
5150



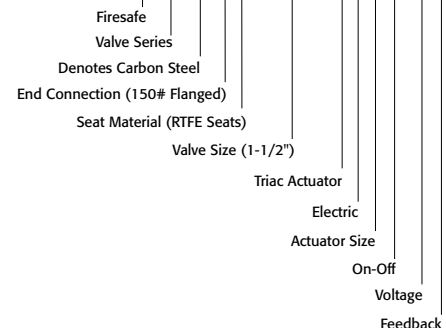
SERIES FD9 150# Flanged Direct Mount Firesafe

ON-OFF	
SIZE	MODEL
1/2"	FD9-F1-050/WEA1-XX
3/4"	FD9-F1-075/WEA1-XX
1"	FD9-F1-100/WEA1-XX
1-1/2"	FD9-F1-150/WEA1-XX
2"	FD9-F1-200/WEA1-XX
2-1/2"	FD9-F1-250/WEC1-XX
3"	FD9-F1-300/WEC1-XX
4"	FD9-F1-400/WEE1-XX
6"	FD9-F1-600/WEH1-XX

MODULATING	
SIZE	MODEL
1/2"	FD9-F1-050/WEA2-XX
3/4"	FD9-F1-075/WEA2-XX
1"	FD9-F1-100/WEA2-XX
1-1/2"	FD9-F1-150/WEA2-XX
2"	FD9-F1-200/WEA2-XX
2-1/2"	FD9-F1-250/WEC2-XX
3"	FD9-F1-300/WEC2-XX
4"	FD9-F1-400/WEE2-XX
6"	FD9-F1-600/WEH2-XX



SAMPLE PART # FD9C-F1-150/WEA1-XX



OPTIONS

DESCRIPTION
24 VAC/24 VDC/220VAC
Feedback potentiometer

NOTE: Heater and thermostat standard
(2) auxiliary switches standard
Other options available - call for details
Actuators are sized based on clean/clear fluid.
See valve part number matrix for complete part number and options.



Valve Options

Various Seat Materials

PTFE, RTFE, 50/50, 15% CFTE, Delrin PEEK,
Hard Facing, UHMWPE, TFM-1600

Several hard face and metal-metal options

Gear Operators

Quarter-turn Gear Operators

Spring Return "Deadman" Handles

Oval handles, TEE Handles

Specials and Solutions

Steam Jackets

Stem Extensions

V-ported Control Valves

Multi-port Valve Solutions

Fugitive Emissions Bonnets (TSM's)

Oxygen Cleaning

Lockout Brackets

Vented Balls

"No Play" Mounting Kits

• **FM Approved
Valves and Assemblies**



 **A-T Controls, Inc.**

9955 International Blvd.
Cincinnati, Ohio 45246

PHONE (513) 247-5465
FAX (513) 247-5462
sales@atcontrols.com

www.atcontrols.com

Other Products

Special Seats

Balls and Seal Designs



Steam Jacketed Valves



Floor Mounted Damper Drives



Limit Switches

Mounted on Manual Valves



Fusible Link Assemblies



180° Actuators



Lockout Mounting Kits



Stem Extensions



Special Multi-Port Valves



Dual Valve Assemblies

