



Pneumatic Double Acting Automated Ball Valve Package

Series FD9
ANSI 150# Flanged
Ball Valve
Direct Mount

Firesafe



Full Port Valve

ANSI Class 150#

Available 1/2" – 6"

316SS or WCB Body

316SS Ball & Stem

Belleville Washers

Chevron Packing

RTFE Seats Standard

Pyramidal Stem Design

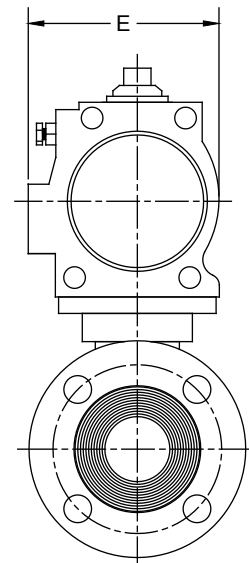
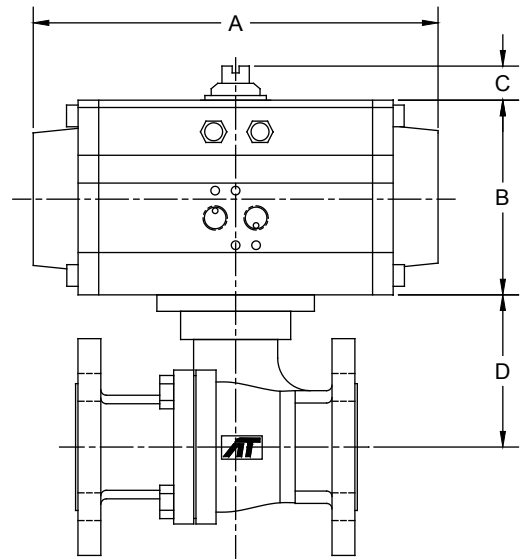
STANDARDS

Design	ANSI B16.34
Face to Face	ANSI B16.10
Flange Dimensions	ANSI B16.5
Pipeline Valve	API 6D
Pressure Testing	API 598
Fire Testing	API 607 6th Edition, BS 5351
Mounting Pad	ISO 5211
Marking System for Valves	MSS SP-25
Material Certification	EN 10204
Quality Assurance	ISO 9001

**API 607 - 6th Edition
CERTIFIED**



150# Flanged
Firesafe Tested to API-607
Direct Mount



DIMENSIONS (IN)

VALVE SIZE	A	B	C	D	E	VALVE Cv
1/2"	5.98	2.76	0.79	1.84	2.58	15
3/4"	5.98	2.76	0.79	2.02	2.58	45
1"	7.95	3.43	0.79	2.31	3.29	85
1-1/2"	9.29	4.49	0.79	3.51	4.41	275
2"	9.29	4.49	0.79	3.80	4.41	450
2-1/2"	10.87	4.88	0.79	4.57	4.82	700
3"	13.90	6.18	0.79	5.22	6.04	1100
4"	13.90	6.18	0.79	6.18	6.04	2200
6"	20.95	8.31	1.18	8.28	7.64	5150

DIMENSIONS SHOWN ARE FOR ASSEMBLIES SIZED FOR 80 PSI SUPPLY

SERIES FD9 150# Flanged Direct Mount Firesafe

SIZED FOR 80 psi AIR SUPPLY

SIZE	MODEL
1/2"	FD9-F1-050/TR1D-XX
3/4"	FD9-F1-075/TR1D-XX
1"	FD9-F1-100/2R2D-XX
1-1/2"	FD9-F1-150/2R3D-XX
2"	FD9-F1-200/2R3D-XX
2-1/2"	FD9-F1-250/2R4D-XX
3"	FD9-F1-300/2R6D-XX
4"	FD9-F1-400/2R6D-XX
6"	FD9-F1-600/2R8D-XX

SIZED FOR 60 psi AIR SUPPLY

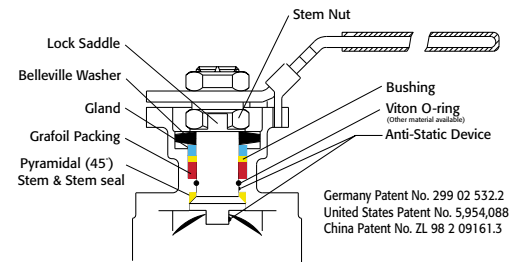
SIZE	MODEL
1/2"	FD9-F1-050/TR1D-XX
3/4"	FD9-F1-075/2R2D-XX
1"	FD9-F1-100/2R2D-XX
1-1/2"	FD9-F1-150/2R3D-XX
2"	FD9-F1-200/2R3D-XX
2-1/2"	FD9-F1-250/2R5D-XX
3"	FD9-F1-300/2R6D-XX
4"	FD9-F1-400/2R6D-XX
6"	FD9-F1-600/2R9D-XX

OPTIONS

DESCRIPTION	PART NO. SUFFIX	DESCRIPTION	PART NO. SUFFIX
NEMA 4 Solenoid	(A)	NEMA 4 Limit Switch (2) spdt	(A)
NEMA 7 Solenoid	(B)	NEMA 7 Limit Switch (2) spdt	(B)

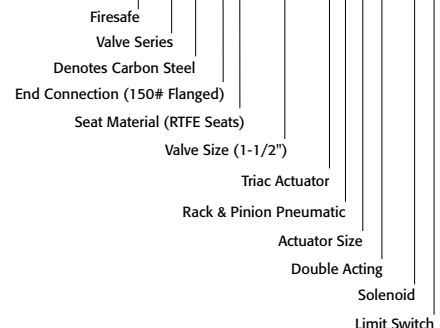
Other options available - call for details
Actuators are sized based on clean/clear fluid.

See valve part number matrix for complete part number and options.



Germany Patent No. 299 02 532.2
United States Patent No. 5,954,088
China Patent No. ZL 98 2 09161.3

SAMPLE PART # FD9C-F1-150/2R3D-XX



9955 International Blvd. PHONE (513) 247-5465
Cincinnati, Ohio 45246 FAX (513) 247-5462
www.atcontrols.com sales@atcontrols.com