



Electric

Series F91 Unibody Flanged Ball Valve

Firesafe



Sizes 1/2" – 6"

Regular Port

ANSI Class 150#

Direct Actuator Mount

Available in 316SS or WCB

Anti-static Device

316SS Body, Ball and Stem

Compliant to NACE
MRO175

Pyramidal Stem Packing
System

Blowout-proof Stem

ISO5211 Mounting

Locking Handle Standard

Each Valve is Traceable**

**API 607 - 4th Edition
CERTIFIED**



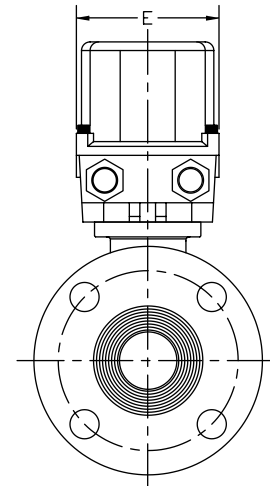
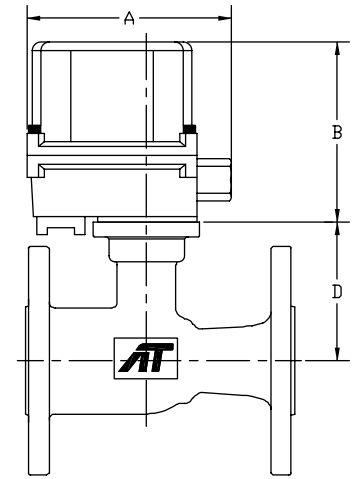
**150# Flanged
Firesafe tested to API-607**

DIMENSIONS (IN)

VALVE SIZE	A	B	D	E
1/2"	5.94	5.24	1.80	4.15
3/4"	5.94	5.24	2.02	4.15
1"	5.94	5.24	2.19	4.15
1-1/2"	5.94	5.24	2.86	4.15
2"	5.94	5.24	3.51	4.15
2-1/2"	13.31	10.55	3.80	9.02
3"	13.31	10.55	4.57	9.02
4"	14.49	11.42	5.22	10.20
6"	14.49	11.42	7.07	10.20

VALVE Cv
9
15
42
125
165
245
350
680
1020

DIMENSIONS FOR ON/OFF ACTUATORS ONLY, MODULATING NOT SHOWN 2-1/2" THRU 6" HAVE HANDWHEELS THAT ARE NOT SHOWN

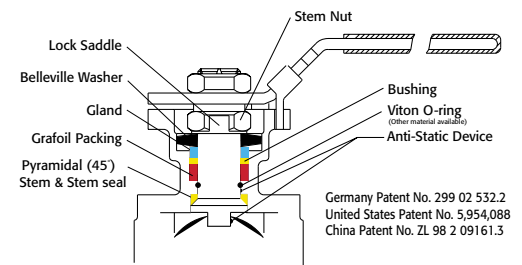


SERIES F91 Unibody Flanged

Firesafe

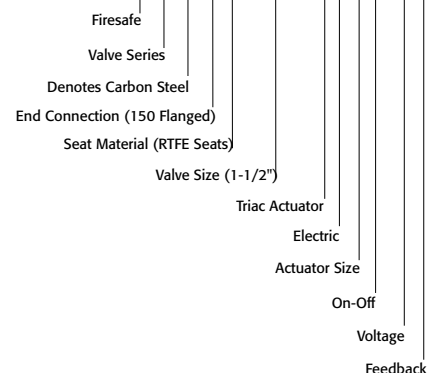
ON-OFF	
SIZE	MODEL
1/2"	F91-F1-050/WEA1-XX
3/4"	F91-F1-075/WEA1-XX
1"	F91-F1-100/WEA1-XX
1-1/2"	F91-F1-150/WEA1-XX
2"	F91-F1-200/WEA1-XX
2-1/2"	F91-F1-250/WEC1-XX
3"	F91-F1-300/WEC1-XX
4"	F91-F1-400/WEE1-XX
6"	F91-F1-600/WEE1-XX

MODULATING	
SIZE	MODEL
1/2"	F91-F1-050/WEA2-XX
3/4"	F91-F1-075/WEA2-XX
1"	F91-F1-100/WEA2-XX
1-1/2"	F91-F1-150/WEA2-XX
2"	F91-F1-200/WEA2-XX
2-1/2"	F91-F1-250/WEC2-XX
3"	F91-F1-300/WEC2-XX
4"	F91-F1-400/WEE2-XX
6"	F91-F1-600/WEE2-XX



Germany Patent No. 299 02 532.2
United States Patent No. 5,954,088
China Patent No. ZL 98 2 09161.3

SAMPLE PART # F91C-F1-150/WEA1-XX



OPTIONS

DESCRIPTION

24 VAC/24 VDC/220VAC

Feedback potentiometer

NOTE: Heater and thermostat standard
(2) auxiliary switches standard
Other options available - call for details
Actuators are sized based on clean/clear fluid.
See valve part number matrix for complete part number and options.

F91EL-20130430
Copyright 2013 A-T Controls, Inc.



9955 International Blvd.
Cincinnati, Ohio 45246
www.atcontrols.com

PHONE (513) 247-5465
FAX (513) 247-5462
sales@atcontrols.com

Valve Options

Various Seat Materials

PTFE, RTFE, 50/50, 15% CFTE, Delrin PEEK, Hard Facing, UHMWPE, TFM-1600

Several hard face and metal-metal options

Gear Operators

Quarter-turn Gear Operators

Spring Return "Deadman" Handles

Oval handles, TEE Handles

Specials and Solutions

Steam Jackets

Stem Extensions

V-ported Control Valves

Multi-port Valve Solutions

Fugitive Emissions Bonnets (TSM's)

Oxygen Cleaning

Lockout Brackets

Vented Balls

"No Play" Mounting Kits

- **FM Approved Valves and Assemblies**



AT A-T Controls, Inc.

9955 International Blvd.
Cincinnati, Ohio 45246
www.atcontrols.com

PHONE (513) 247-5465
FAX (513) 247-5462
sales@atcontrols.com

Other Products

Special Seats

Balls and Seal Designs



Steam Jacketed Valves



Floor Mounted Damper Drives



Limit Switches

Mounted on Manual Valves



Fusible Link Assemblies



180° Actuators



Lockout Mounting Kits



Stem Extensions



Special Multi-Port Valves



Dual Valve Assemblies

