



# Pneumatic Double Acting Automated Ball Valve Package

## Series F90 150# Flanged Ball Valve

Firesafe  
Full Port Valve  
ANSI Class 150 #  
Available 1/2" – 4"  
316SS or WCB Body  
316SS Ball & Stem  
Belleville Washers  
Chevron Packing  
RTFE Seats Standard

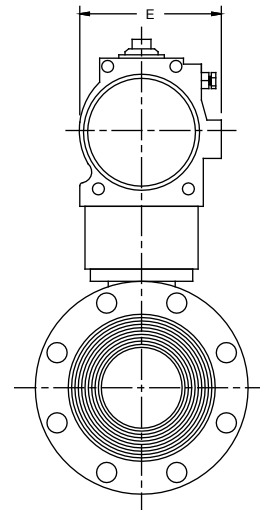
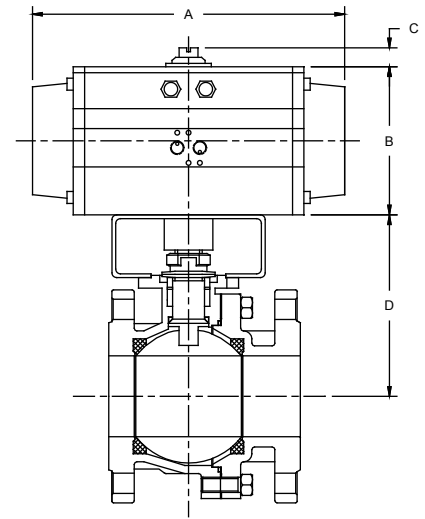
### STANDARDS

Design ANSI B16.34  
Face to Face ANSI B16.10  
Flange Dimensions ANSI B16.5  
Pipeline Valves API 6D  
Pressure Testing API 598  
Fire Testing API-607 4th Edition, BS 5351  
Mounting Pad ISO 5211  
Marking System for Valves MSS SP-25  
Material Certification EN 10204  
Quality Assurance ISO 9001

**API 607 - 4th Edition**  
CERTIFIED



150# Flanged  
Firesafe tested to API-607



### DIMENSIONS (IN)

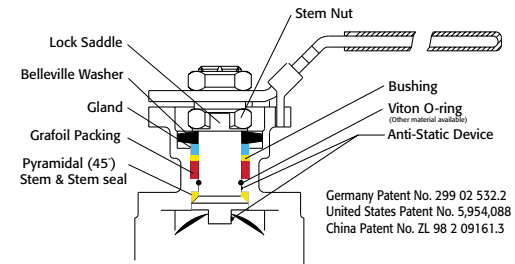
VALVE SIZE	A	B	C	D	E	VALVE Cv
1/2"	5.98	2.76	0.79	2.91	2.58	15
3/4"	5.98	2.76	0.79	3.21	2.58	45
1"	7.95	3.43	0.79	3.52	3.29	85
1-1/2"	9.29	4.49	0.79	5.04	4.41	275
2"	9.29	4.49	0.79	5.37	4.41	460
2-1/2"	10.87	4.88	0.79	5.80	4.82	700
3"	11.46	5.28	0.79	6.85	5.20	1100
4"	13.90	6.18	0.79	7.44	6.04	2200

DIMENSIONS SHOWN ARE FOR ASSEMBLIES SIZED FOR 80 PSI SUPPLY

**SERIES F90 150# Flanged**  
**Firesafe**

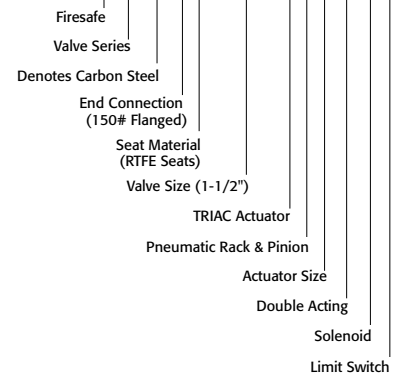
SIZED FOR 80 psi AIR SUPPLY	
SIZE	MODEL
1/2"	F90-F1-050/TR1D-XX
3/4"	F90-F1-075/TR1D-XX
1"	F90-F1-100/2R2D-XX
1-1/2"	F90-F1-150/2R3D-XX
2"	F90-F1-200/2R3D-XX
2-1/2"	F90-F1-250/2R4D-XX
3"	F90-F1-300/2R5D-XX
4"	F90-F1-400/2R6D-XX

SIZED FOR 60 psi AIR SUPPLY	
SIZE	MODEL
1/2"	F90-F1-050/TR1D-XX
3/4"	F90-F1-075/2R2D-XX
1"	F90-F1-100/2R2D-XX
1-1/2"	F90-F1-150/2R3D-XX
2"	F90-F1-200/2R3D-XX
2-1/2"	F90-F1-250/2R5D-XX
3"	F90-F1-300/2R6D-XX
4"	F90-F1-400/2R6D-XX



Germany Patent No. 299 02 532.2  
United States Patent No. 5,954,088  
China Patent No. ZL 98 2 09161.3

### SAMPLE PART # F90C-F1-150/2R3D-XX



### OPTIONS

DESCRIPTION	PART NO. SUFFIX	DESCRIPTION	PART NO. SUFFIX
NEMA 4 Solenoid	(A)	NEMA 4 Limit Switch (2) spdt	(A)
NEMA 7 Solenoid	(B)	NEMA 7 Limit Switch (2) spdt	(B)

Other options available - call for details  
Actuators are sized based on clean/clear fluid.

See valve part number matrix for complete part number and options.

