

S-20: The evolution of excellence



The new S-20 pressure transmitter

You demand more. WIKA delivers...



The S-20 pressure transmitter is the ideal solution for users with demanding measurement requirements in general industrial applications. It provides high performance combined with safe and reliable operation.

... even under extreme conditions.

S-20 is available in a durable "heavy-duty" version which features a robust all-stainless-steel design. This makes it an easy task for the S-20 to withstand the harshest pressure and operating conditions, extreme temperatures, and a large variety of media.



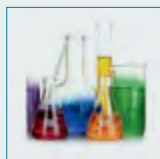
Extreme temperatures

- -40 ... 257° F ambient temperature range
- Up to 392° F media temperature with optional integrated cooling element



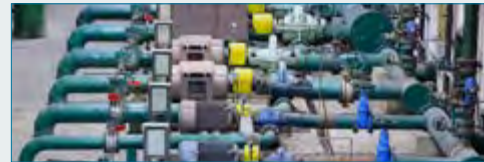
Harsh conditions

- Up to 5 times overload safety
- 0.3 or 0.6 mm arc eroded pressure port for protection against pressure spikes
- Up to 1 millisecond response time



Any media

- All stainless steel case
- Special versions for hydrogen and oxygen applications
- 6 or 12 mm pressure port
- IP68 connector



Water & wastewater pressure controls



Food & beverage production



Packaging machinery systems



High performance mobile hydraulics



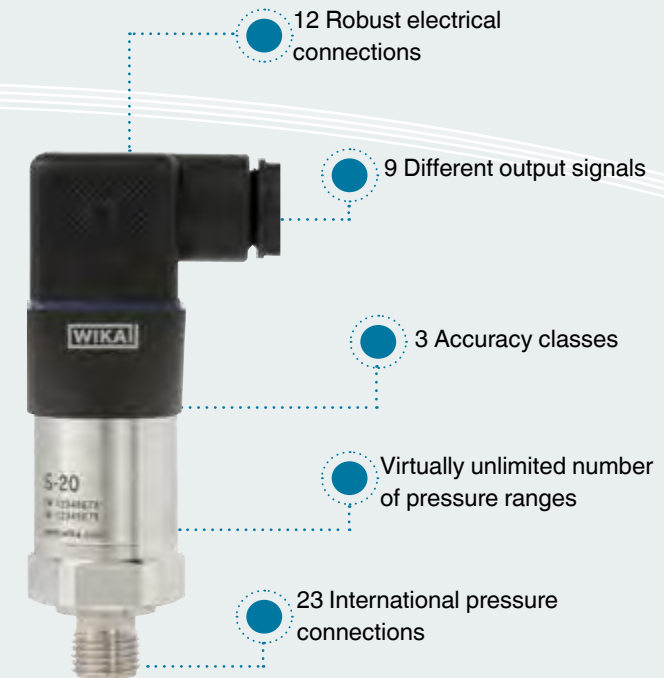
High performance HVAC controls



Pumps & sprayer systems

... infinite possibilities

The S-20 is available in an exceptional number of variations to meet the requirements of an extremely wide range of applications. Both the transmitter and the production line are designed to produce new application-specific versions quickly and economically.



... from an excellent supplier

Each S-20 transmitter must pass a quality check as a final production step. The results are included in a test report supplied with each unit at no additional cost.

An S-20 internet microsite can be accessed by the user not just to verify authenticity of the transmitter but also to download item specific product and test data.

Our commitment to excellence extends to offering an almost unlimited number of variations of the S-20 while providing the fastest possible delivery times.



Worldwide availability and support

WIKA meets the needs of all major international markets for global customers. We have sensor customers in virtually every country.



Customized solutions

Both product and production line are designed to produce new, customer specific versions quickly and economically.



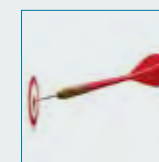
Short lead times

Fast delivery of standard and customized transmitters.



100% WIKA

WIKA controls all of the manufacturing steps, including the sensor production. The sensor is the most critical element because if it fails, the entire product fails. Many of our competitors out-source sensor production.



Precise measurement



International approvals



Safe operation

Precise measurement + International approvals = Safe operation

Technical data

Specifications

Pressure ranges:

10 psi ... 20,000 psi gauge, vacuum and absolute pressure

Units:

bar, psi, MPa, kPa, kg/cm²

Output signals:

4 ... 20 mA, 0 ... 10 VDC, 1 ... 5 VDC, reverse output and many others

Electrical connections:

Angular connector DIN 175301-803 A or C
Circular connector M12 x 1
Heavy duty connectors and cable outlets

Pressure connections:

23 state of the art pressure connections

Non-linearity:

0.5 % BFSL, 0.25 % BFSL, 0.125 % BFSL available

Datasheet:

WIKA Datasheet S-20

Features and options

Precise measurement:

1 % temperature error
0.1 % zero offset
0.2 % adjustable zero point

Safe operation:

Performance level: PL = C
MTTF: > 100 years

Extreme temperatures:

Up to 392° F media temperature
Up to -40 ... 257° F ambient temperature

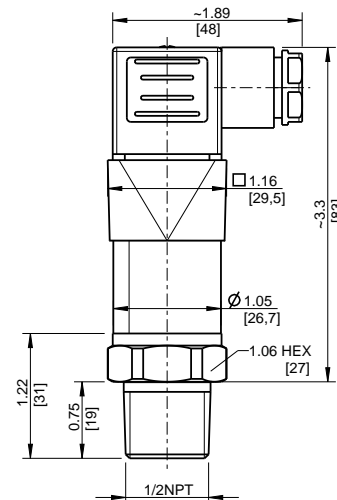
Harsh operating conditions:

Up to 5 times overload
1 ms response time
IP 68 connector
All stainless steel design
40 g vibration resistance

Standard configurations

Unit: psi
Output signal: 4...20mA, 2-wire
Non-linearity: 0.5%, 0.25% or 0.125% BFSL
Process connection: 1/2" NPT male
Electrical connection: DIN form A L-connector
Media temperature: -22 ... 212°F (-30 ... +100°C)

(Refer to the S-20 datasheet for complete specifications and available options)



Standard part numbers

Range	Non-linearity		
	0.50%	0.25%	0.125%
-30 InHg - 0 psi	52411591	52375595	52411788
0-10 psi	52411621	52376460	52411796
0-30 psi	52411630	52376486	52411800
0-60 psi	52411648	52375293	52411834
0-100 psi	52411656	52374301	52411842
0-200 psi	52411672	52375323	52411851
0-300 psi	52411681	52375340	52411869
0-500 psi	52411699	52375366	52411877
0-1,000 psi	52411702	52375391	52411885
0-3,000 psi	52411729	52375421	52411893
0-5,000 psi	52411737	52375455	52411907
0-10,000 psi	52411745	52375471	52411915

WIKA Instrument, LP Pressure and Temperature Measurement

1000 Wiegand Boulevard
Lawrenceville, GA 30043
Toll Free 1-888-WIKA-USA (945-2872)
Tel (770) 513-8200 Fax (770) 338-5118
info@wika.com • www.wika.com