

# Bimetal Thermometer Model TI.32, Stainless Steel Case & Wetted Parts

Datasheet TI.32

## Applications

- Suitable for fluid medium which does not corrode 304 stainless steel

## Special features

- Industrial design
- Adjustable angle connection with external reset
- Stainless steel connection and external wetted parts

## Standard version

### Size

3" (76.2 mm) Type TI.32

### Accuracy

± 1.0% full scale value (ASME B40.3)

### Ranges

-100°F to 1000°F (and equivalent Celsius)

### Working Range

Steady: full scale value  
Short time: 110% of full scale value

### Over Range

Temporary over or under range tolerance of 50% of scale up to 500°F(260°C). For ranges above 500°F, maximum over range is 800°F; continuous. 1000°F intermittent.

### Connection

Material: 304 stainless steel  
Adjustable angle, 1/2" NPT

### Stem

Material: 304 stainless steel  
Diameter: 1/4" (6.35 mm)  
Length: 2½" to 72" (63.5 mm to 1,828.8 mm)

### Measuring Element

Bi-metal helix

### Dial

White aluminum, dished, with black markings



Thermometer TI.32

### Case

Material: 304 stainless steel  
Hermetically sealed per ASME B40.3 standard  
Ingress protection IP 65  
External reset slotted hex head on back of case

### Pointer

Black aluminum

### Standard Scales

Single: Fahrenheit or Celsius  
Dual: Fahrenheit (outer) and Celsius (inner)

### Window Gasket

Neoprene  
Silicone (-100°F and over 550°F)

### Dampening

Inert gel to minimize pointer oscillation

### Window

Flat instrument glass

### Weight

10 oz. (3" dial)  
Add 1 oz for every 2" of stem length

### Movement

Viscous inert gel to enhance pointer operation

### Warranty

7- Year Warranty

STANDARD RANGES		
Fahrenheit	Dual Scale F & C	Celsius
Single Scale	F Outer, C Inner	Single Scale
-100/150 F	-100/150 F & -70/70 C	-50/50 C
-40/120 F	40/120 F & -40/50 C	-20/120 C
0/140 F	0/140 F & -20/60 C	0/50 C <sup>1</sup>
0/200 F	0/200 F & -15/90 C	0/100 C
0/250 F	0/250 F & -20/120 C	0/150 C
20/240 F	20/240 F & -5/115 C	0/200 C
25/125 F <sup>1</sup>	25/125 F & -5/50 C <sup>1</sup>	0/250 C
50/300 F	50/300 F & 10/150 C	0/300 C
50/400 F	50/400 F & 10/200 C	0/450 C <sup>2</sup>
50/550 F	50/500 F & 10/260 C	100/550 C <sup>2</sup>
150/750 F	150/750 F & 65/400 C	
200/1000 F <sup>2</sup>	200/1000 F & 100/540 C <sup>2</sup>	

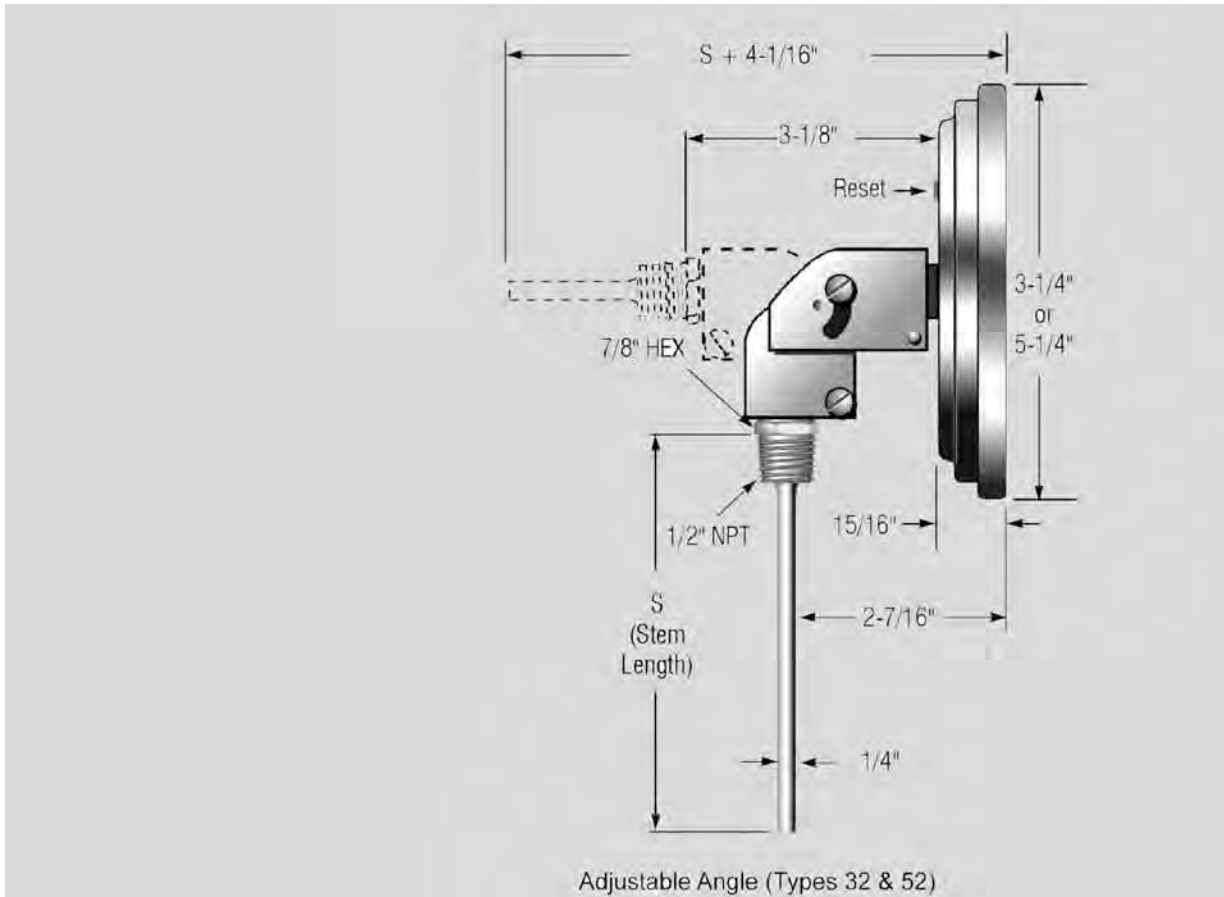
<sup>1</sup>Minimum length 4" for Types 32

<sup>2</sup>Not recommended for continuous service over 800°F (425°C)

## Optional Extras

- Thermowells
- Silicone fill
- Dampened Movement
- Special scales and dial markings
- Acrylic and safety glass windows
- Calibration certification traceable to NIST

## Dimensions



WIKA Type	DIAL SIZE	A	B	S (Stem Length)
32	3" (76.2 mm)	3-1/4" (82.6 mm)	15/16" (23.8 mm)	As Specified

Note: Thermowells for temperature instruments are recommended for all process systems where pressure, velocity, or viscous, abrasive and corrosive materials are present individually or in combination. A properly selected thermowell protects the temperature instrument from possible damage resulting from these process variables. Furthermore, a thermowell permits removal of the temperature instrument for replacement, repair or testing without effecting the process media or the system.

### Ordering information

State computer part number (if available) /type number/size/range/connection size and locations/options required. WIKA reserves the right to make changes without prior notice.



**WIKAI Instrument Corporation**  
 1000 Wiegand Boulevard  
 Lawrenceville, GA 30043  
 1-888-WIKA-USA /770-513-8200 (in GA)  
 Fax 770-338-5118  
 info@wika.com www.wika.com