

Bimetal Thermometer Model TI.50, Stainless Steel Case & Wetted Parts

Datasheet TI.50

Applications

- Suitable for fluid medium which does not corrode 304 stainless steel

Special features

- Industrial design
- Back connection with external reset
- Stainless steel case and wetted parts



Standard version

Sizes

5" (127 mm) Type TI.50

Accuracy

+ 1.0% full scale value (ASME B40.3)

Ranges

-100°F to 1000°F (and equivalent Celsius)

Working Range

Steady: full scale value
Short time: 110% of full scale value

Over Range

Temporary over or under range tolerance of 50% of scale up to 500°F. (260°C). For ranges above 500°F, maximum over range is 800°F; continuous. 1000°F intermittent.

Connection

Material: 304 stainless steel
Center back mount (CBM), 1/2" NPT

Stem

Material: 304 stainless steel
Diameter: 1/4" (6.35 mm)
Length: 2 1/2" to 72" (63.5 mm to 1,828.8 mm)

Measuring Element

Bi-metal helix

Thermometer TI.50

Case

Material: 304 stainless steel
Hermetically sealed per ASME B40.3 standard
Ingress protection IP 65
External reset slotted hex head on back of case

Dial

White aluminum, dished, with black markings

Pointer

Black aluminum

Dampening

Inert gel to minimize pointer oscillation

Standard Scales

Single: Fahrenheit or Celsius
Dual: Fahrenheit (outer) and Celsius (inner)

Window Gasket

Neoprene
Silicone (-100°F and over 550°F)

Window

Flat instrument glass

Weight

16 oz. (5" dial)
Add 1 oz for every 2" of stem length

Warranty

7- Year Warranty

Optional Extras

- Thermowells
- Silicone fill
- Dampened Movement
- Special scales and dial markings
- Acrylic and safety glass windows
- Calibration certification traceable to NIST
- Min/max pointer
- DIN standards

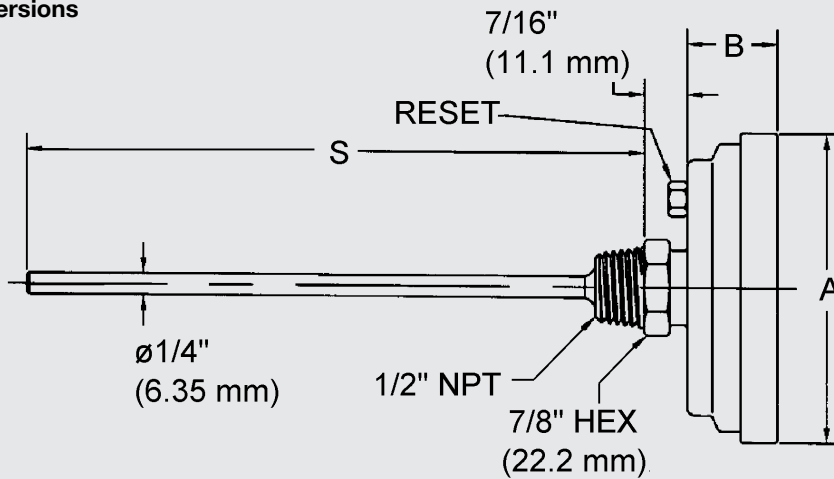
STANDARD RANGES

Fahrenheit	Dual Scale F & C	Celsius
Single Scale	F Outer, C Inner	Single Scale
-100/150 F	-100/150 F & -70/70 C	-50/50 C
-40/120 F	40/120 F & -40/50 C	-20/120 C
0/140 F	0/140 F & -20/60 C	0/50 C
0/200 F	0/200 F & -15/90 C	0/100 C
0/250 F	0/250 F & -20/120 C	0/150 C
20/240 F	20/240 F & -5/115 C	0/200 C
25/125 F	25/125 F & -5/50 C	0/250 C
50/300 F	50/300 F & 10/150 C	0/300 C
50/400 F	50/400 F & 10/200 C	0/450 C ¹
50/550 F	50/500 F & 10/260 C	100/550 C ¹
150/750 F	150/750 F & 65/400 C	
200/1000 F ¹	200/1000 F & 100/540 C ¹	

¹Not recommended for continuous service over 800°F (425°C)

Dimensions

Standard versions



Stem Length
2½" (63.5 mm)
4" (101.6 mm)
6" (152.4 mm)
9" (228.6 mm)
12" (304.8 mm)
15" (381.0 mm)
18" (457.2 mm)
24" (609.6 mm)

WIKA Type	DIAL SIZE	A	B	S (Stem Length)
50	5" (127 mm)	5-1/4" (133.4 mm)	15/16" (23.8 mm)	As Specified

Note: Thermowells for temperature instruments are recommended for all process systems where pressure, velocity, or viscous, abrasive and corrosive materials are present individually or in combination. A properly selected thermowell protects the temperature instrument from possible damage resulting from these process variables. Furthermore, a thermowell permits removal of the temperature instrument for replacement, repair or testing without effecting the process media or the system.

Ordering information

State computer part number (if available) /type number/size/range/connection size and locations/options required. WIKA reserves the right to make changes without prior notice.



WIKAI Instrument Corporation

1000 Wiegand Boulevard
 Lawrenceville, GA 30043
 1-888-WIKA-USA /770-513-8200 (in GA)
 Fax 770-338-5118
 info@wika.com www.wika.com