

Mountings and Accessories

WATER COOLED, AIR PURGED PROTECTIVE JACKET (Part No. 800861)

Nomenclature: **SN-JW**

Recommended for use where ambient temperatures are in the range 60°C/140°F to 150°C / 300°F or where radiant heat levels are excessively high at the thermometer location.

This accessory requires a clean, conditioned water supply and also a clean, dry and conditioned air supply to ensure that it remains fully effective.

For accessory dimensions, see overleaf (drawing number - 310001)

AIR COOLED, AIR PURGED PROTECTIVE JACKET (Part No. 800862)

Nomenclature: **SN-JA**

Recommended for use where ambient temperatures are in the range 60°C/140°F to 120°C / 248°F or where radiant heat levels are high at the thermometer location.

This accessory requires a clean, dry and conditioned air supply to ensure that it remains fully effective.

For accessory dimensions, see overleaf (drawing number - 310002)

AIR PURGED STAND ALONE MOUNTING PLATE (Part No. 800863)

Nomenclature: **SN-P**

Recommended for use in ambient temperatures up to 70°C/158°F

This accessory requires a clean, dry and conditioned air supply to ensure that it remains fully effective.

For accessory dimensions, see overleaf (drawing number - 310003)

i NOTE

If this accessory is to be mounted to the single or dual axis mounting bracket, the following instruction should be carried out:

Remove the 'tee-bar' from the single or dual axis mounting bracket. Secure the bracket to the base of the SN-P, using the 'tee-bar' retaining bolts.

SINGLE AXIS MOUNTING BRACKET (Part No. 800707)

Nomenclature: **SN-MSA**

Recommended for applications requiring fixed sighting.

For accessory dimensions, see overleaf (drawing number - 310004)

DUAL AXIS MOUNTING BRACKET (Part No. 800708)

Nomenclature: **SN-MDA**

Recommended for applications requiring adjustable sighting.

For accessory dimensions, see overleaf (drawing number - 310005)

3m CABLE ASSEMBLY (Part No. 800858)

Nomenclature: **SN-C3**

3m long, pre-wired cable assembly (thermometer to SN-W/E interface unit)

15m CABLE ASSEMBLY (Part No. 800859)

Nomenclature: **SN-C15**

15m long, pre-wired cable assembly (thermometer to SN-W/E interface unit)

25m CABLE ASSEMBLY (Part No. 800860)

Nomenclature: **SN-C25**

15m long, pre-wired cable assembly (thermometer to SN-W/E interface unit)

UNIVERSAL DIN-RAIL PSU (Part No. 404.156)

DIN-rail mountable power supply unit (93 to 264V a.c., 50 to 60Hz)

CONNECTOR (Part No. 801111)

Loose connector for OEM wiring connection to SOLOnet thermometers

Replacement Parts

SAPPHIRE WINDOW KIT (Part No. 800898)

Replacement sapphire window kit for SOLOnet thermometers (all variants)

General Information

This guide gives the basic information required to install Land SOLOnet Mountings and Accessories. For more detailed information, see the SOLOnet User Guide (PP307).

It is important to fully check the equipment with which you have been supplied to ensure that all ordered items, including accessories, have been delivered.

i NOTE

If the thermometer is to be used in an area of ambient temperature higher than that specified, then the thermometer must be housed in a protective cooling jacket. If the thermometer is to be used in an area where the atmosphere contains a high proportion of dust/smoke/steam etc, then the thermometer must be used in conjunction with an air purge system, to keep the thermometer lens clean and free from contamination.

Services

When any cooling or purging accessories are utilised, it is important that the air and water supply to these facilities are fully conditioned and supplied at the recommended flow rates. The following information details the specified flow rates and essential information to ensure optimum effectiveness of the cooling and purging systems:

Water [Clean, free from any contaminants]

Water cooled, air purged jacket: 3/8" I.D. reinforced PVC hose
15l/hour minimum flow rate
6bar maximum inlet pressure

Air [Clean and dry, free from any contaminants]

Air purge mounting plate: 3/8" I.D. reinforced PVC hose
15 l/min minimum flow rate

Air cooled jacket: 3/8" I.D. reinforced PVC hose
150 l/min minimum flow rate

Water cooled, air purged jacket: 1/8" I.D. reinforced PVC hose
15l/min minimum flow rate

! CAUTION

"Over-cooling" of the thermometer may cause a build-up of condensation on or inside the instrument.

To prevent this, ensure that the water supply temperature is not lower than the local dewpoint temperature.

**Land Instruments International
Infrared Temperature Measurement**
Dronfield S18 1DJ, England
Telephone: (0)1246) 417691
Facsimile: (0)1246) 410585
Email: infrared.sales@landinst.com
Internet: www.landinst.com

**Land Instruments Sarl
Infrared Temperature Measurement**
7 Parc des Fontenelles
78870 Bailly, France
Téléphone: (1) 34 62 05 45
Télécopie: (1) 30 56 51 12
Email: commercial@landinst.fr
Internet: www.landinst.fr

**Land Instruments GmbH
Infrared Temperature Measurement**
Fixheider Str. 6
51381 Leverkusen, Germany
Telefon: 02171/7673-0
Telefax: 02171/7673-9
Email: infrarot@landinst.de
Internet: www.landinst.de

**Land Instruments Srl
Infrared Temperature Measurement**
Via dell'Industria, 2
20037 Paderno Dugnano,
Milano, Italy
Telefono: 02/99040423
Telefax: 02/99040418
Email: info@landinst.it
Internet: www.landinst.it

Land Instruments Ltd
31-27 Toyotsuchou, Suita
Osaka 564-0051, Japan
Telephone: 06 6330 5153
Facsimile: 06 6330 5338
Email: info@landinst.jp
Internet: www.landinst.jp

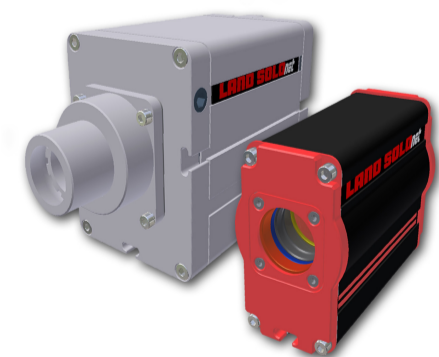
Land Instruments International
Av. Horacio 1132 Planta Baja "B"
Col. Polanco
11550 Mexico, D.F.
Telephone: 52 55 5281 1165
Facsimile: 52 55 5281 5364
Email: ventas@landinstruments.net
Internet: www.landinstruments.net

**Land Instruments International
Infrared Temperature Measurement**
Chile, 10-Edificio Madrid 92
28290 Las Matas, Madrid, Spain
Telephone: 91 630 0791
Facsimile: 91 630 2918
Email: land-infrared@landinst.es

**Land Instruments International
Infrared Temperature Measurement**
10 Friends Lane
Newtown, PA 18940-1804, USA
Telephone: (215) 504-8000
Facsimile: (215) 504-0879
Email: irsales@landinstruments.net
Internet: www.landinstruments.net

SOLOnet

Digital Infrared Thermometer Mountings and Accessories Installation Guide



www.landinst.com

LAND

instruments international



Applies to the UK

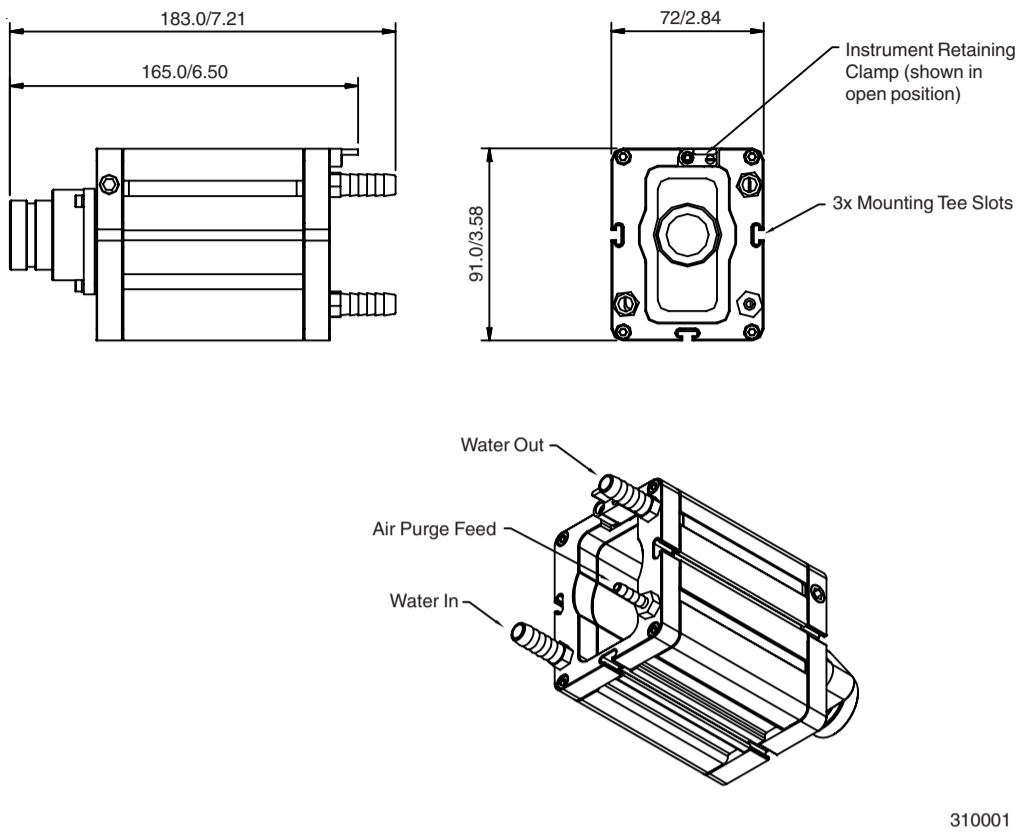


Applies to the USA

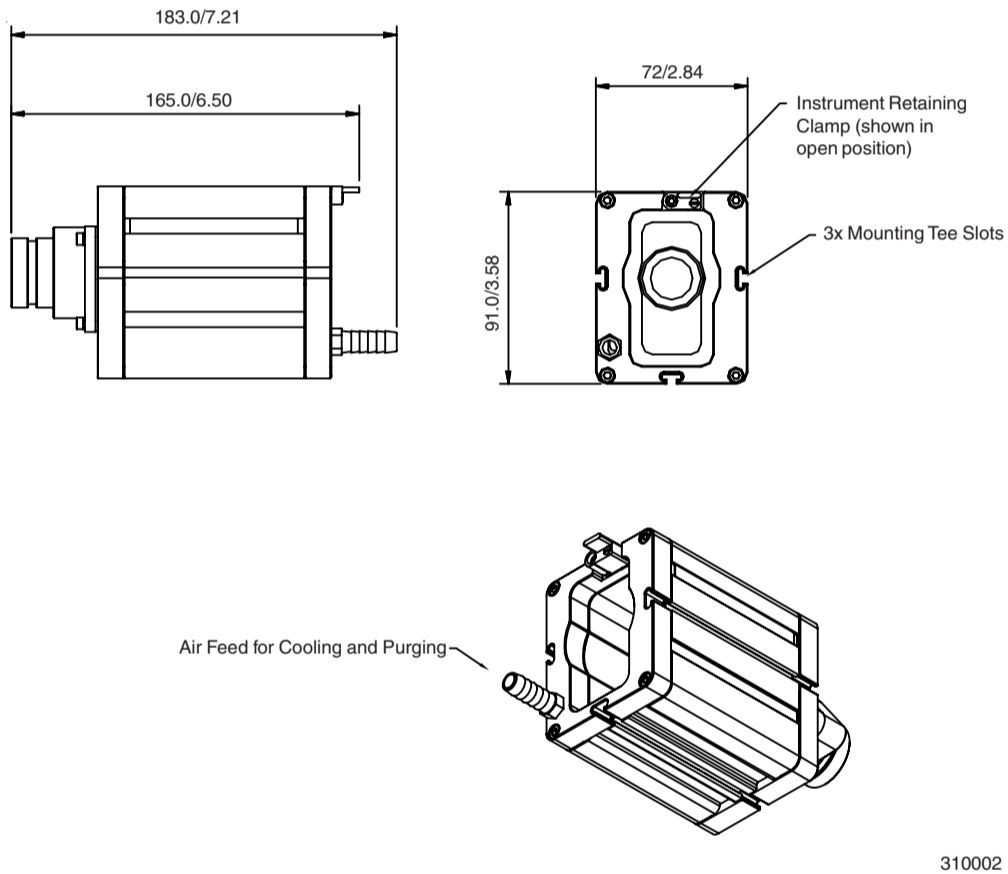
Part N° 801352

Publication N°. PP310 - Issue: P 07/05
© Land Instruments International, 2005

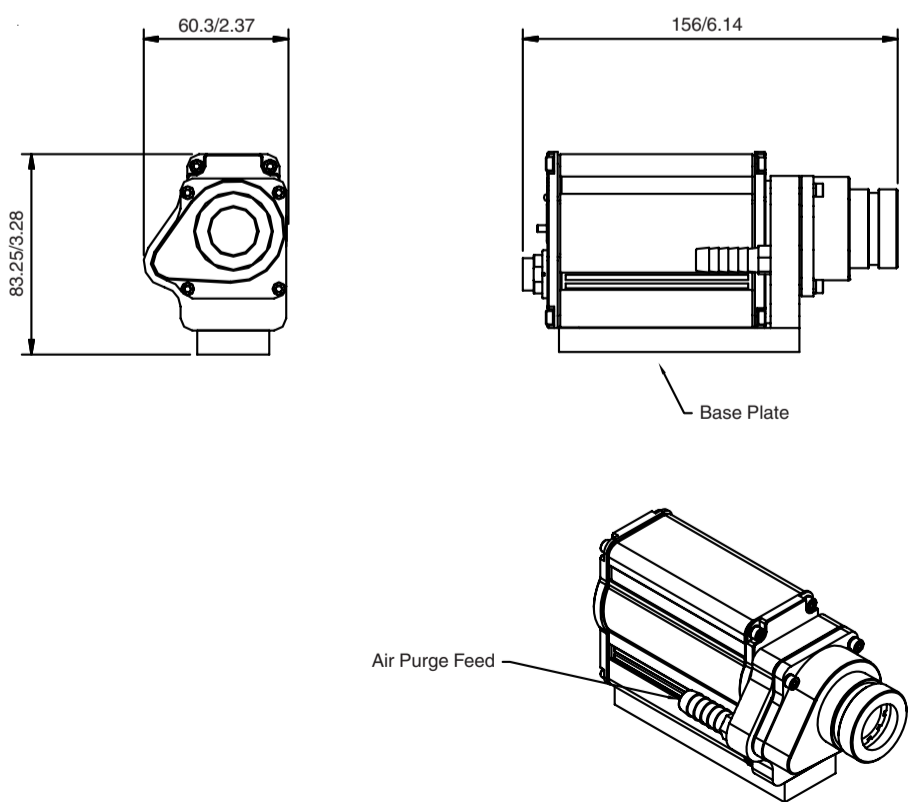
Water Cooled, Air Purged Protective Jacket (Part No. 800861)



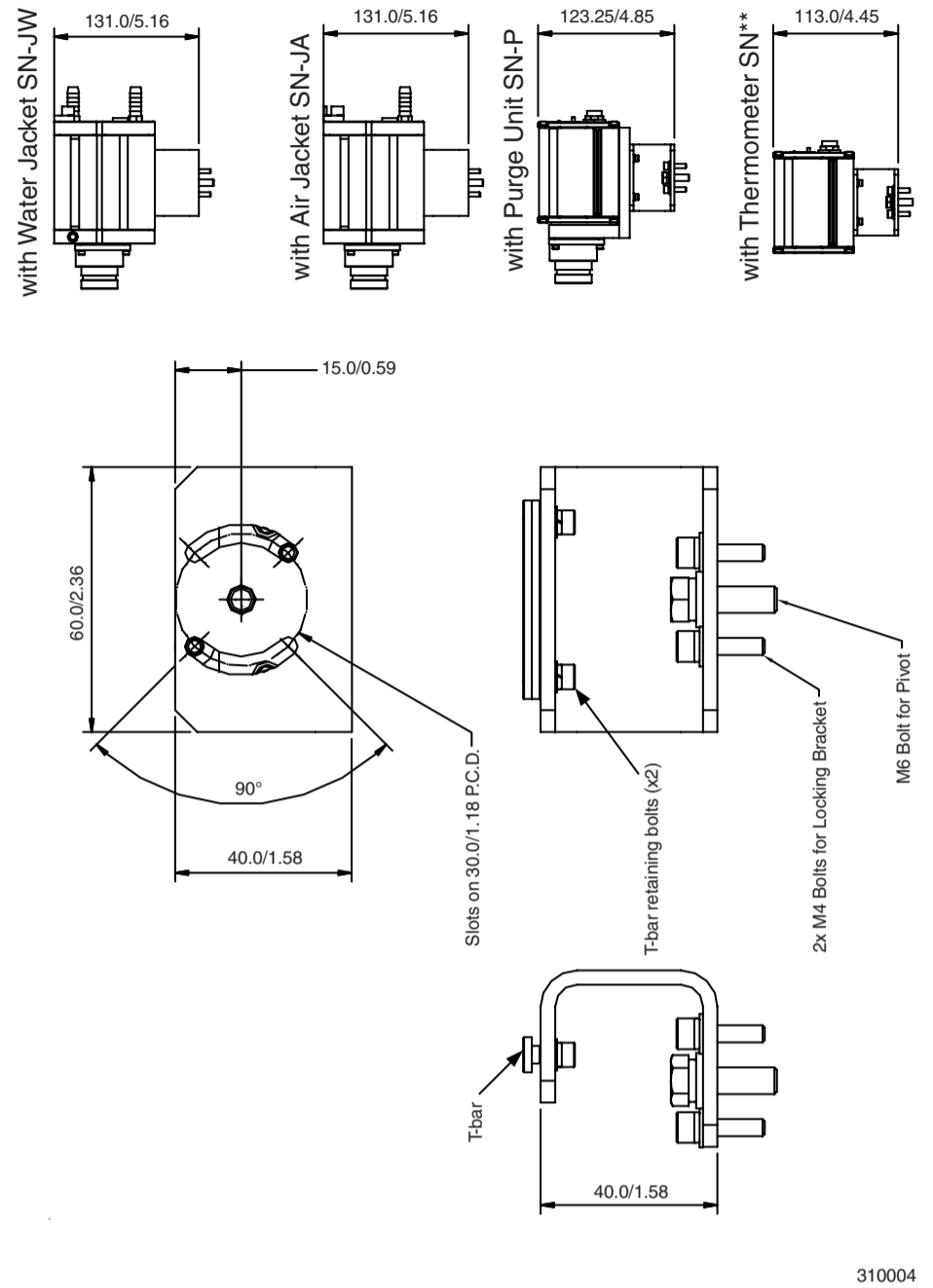
Air Cooled, Air Purged Protective Jacket (Part No. 800862)



Air Purged Stand Alone Mounting Plate (Part No. 800863)



Single Axis Mounting Bracket (Part No. 800707)



Dual Axis Mounting Bracket (Part No. 800708)

