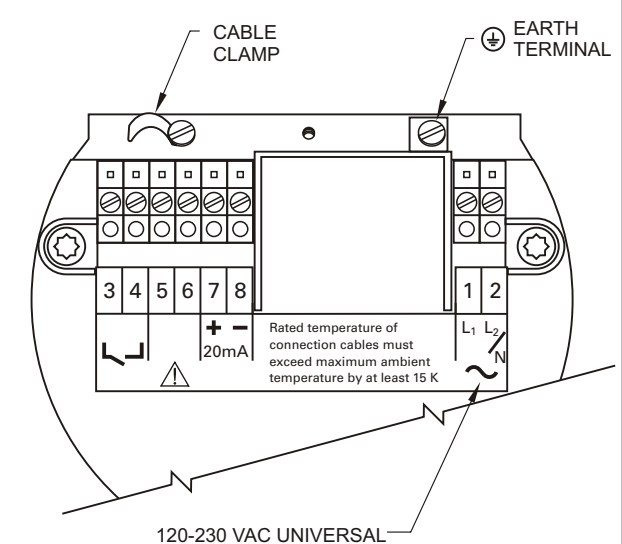
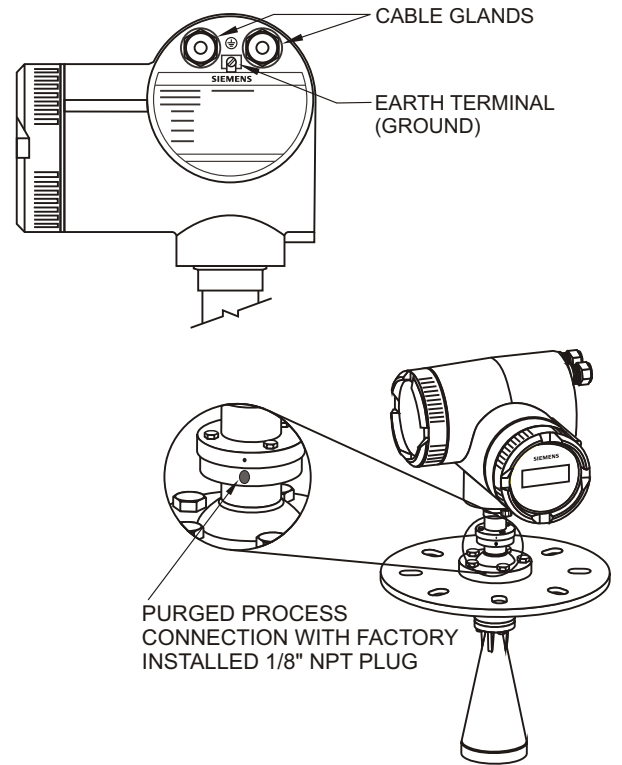
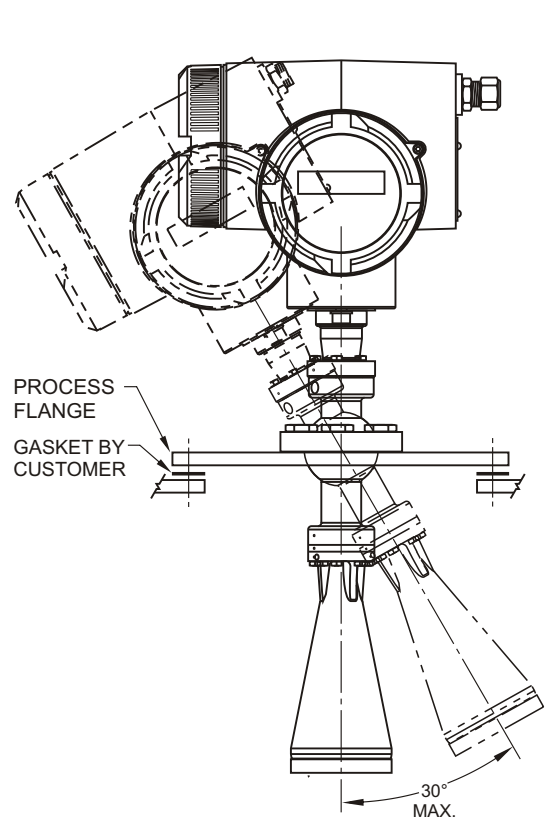
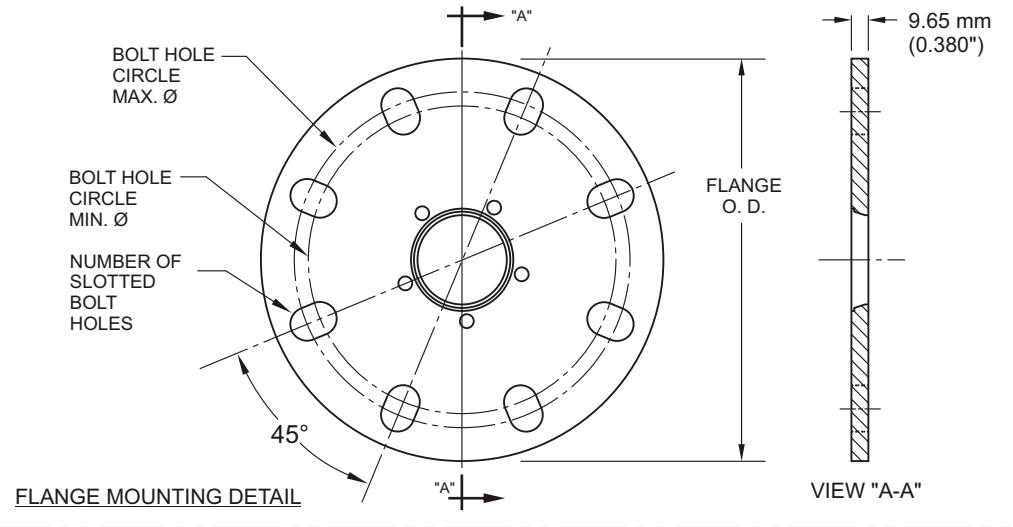


PIPE SIZE	FLANGE O.D.	BOLT HOLE CIRCLE MAX. Ø	BOLT HOLE CIRCLE MIN. Ø	BOLT HOLE RADUIS	NUMBER OF SLOTTED HOLES
3" (80 mm)	7.87" (200 mm)	6.30" (160 mm)	5.91" (150 mm)	0.38" (9.5 mm)	8
4" (100 mm)	9" (229 mm)	7.52" (191 mm)	6.89" (175 mm)	0.38" (9.5 mm)	8
6" (150 mm)	11.22" (285 mm)	9.53" (242 mm)	9.45" (240 mm)	0.45" (11.5 mm)	8



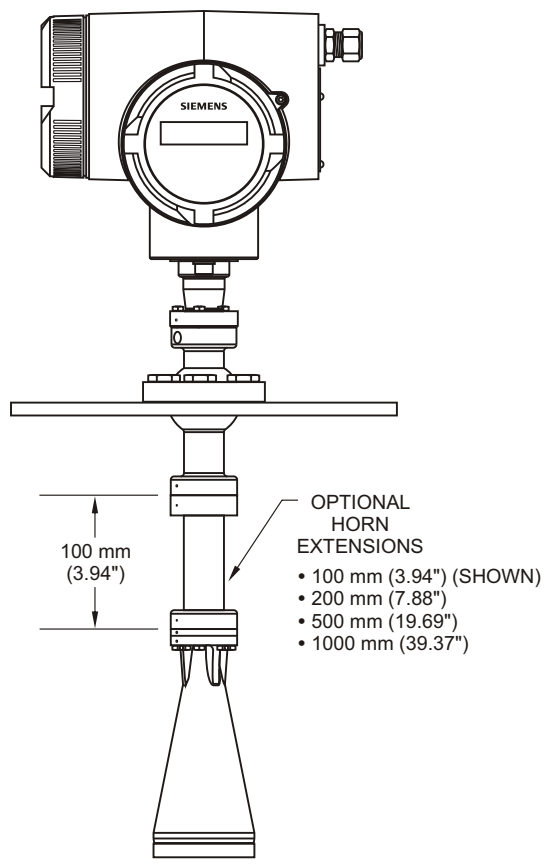
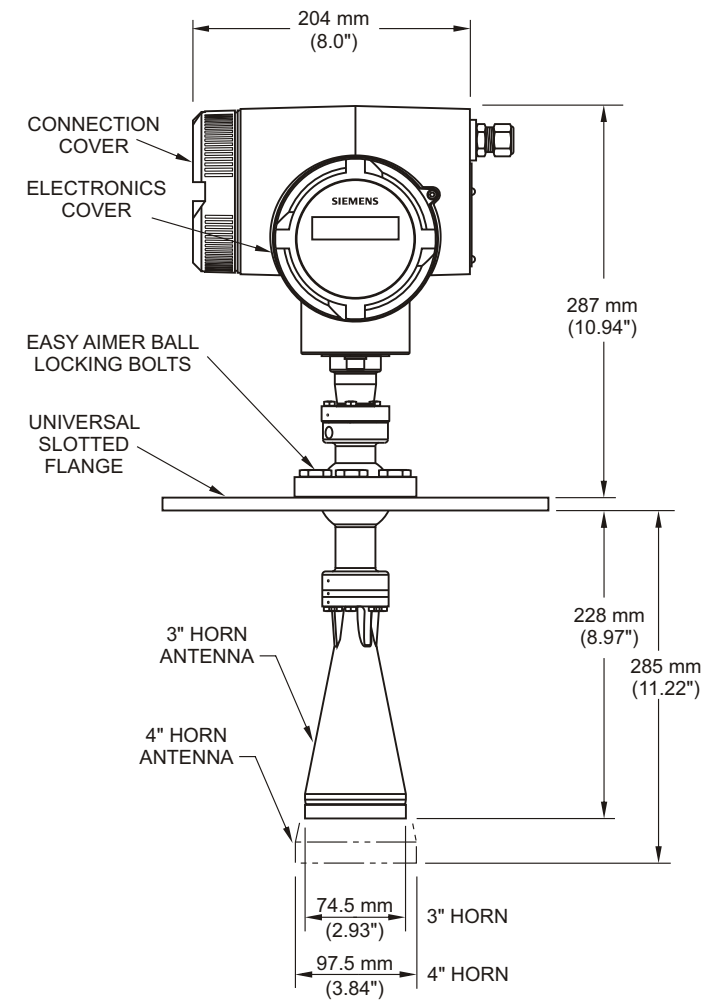
**ALL FIELD WIRING MUST HAVE INSULATION SUITABLE FOR THE APPLIED INPUT VOLTAGE.**

120-230 VAC UNIVERSAL

PROGRAMMING BY INFRARED HANDHELD (OPTIONAL) OR BY SIMATIC PDM OVER HART

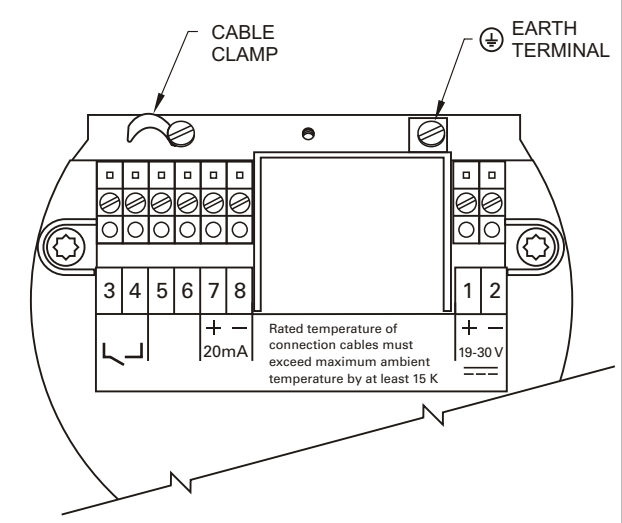
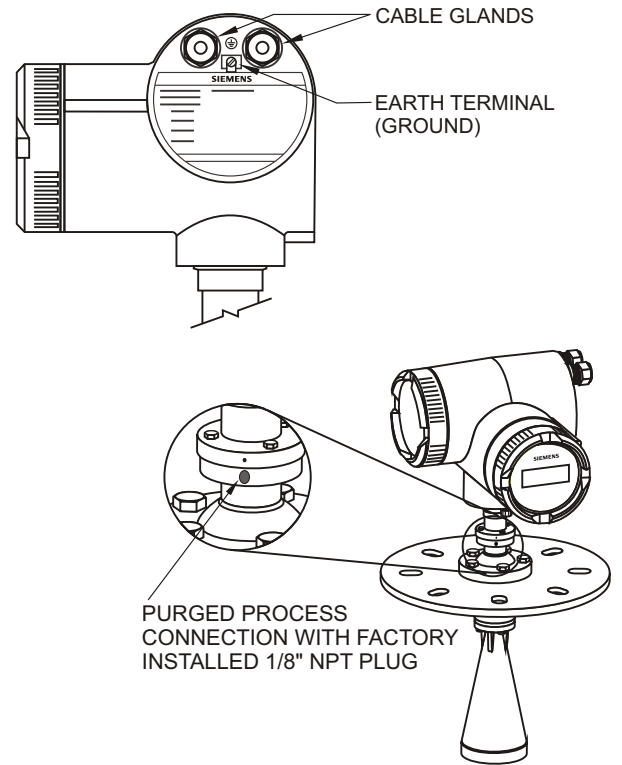
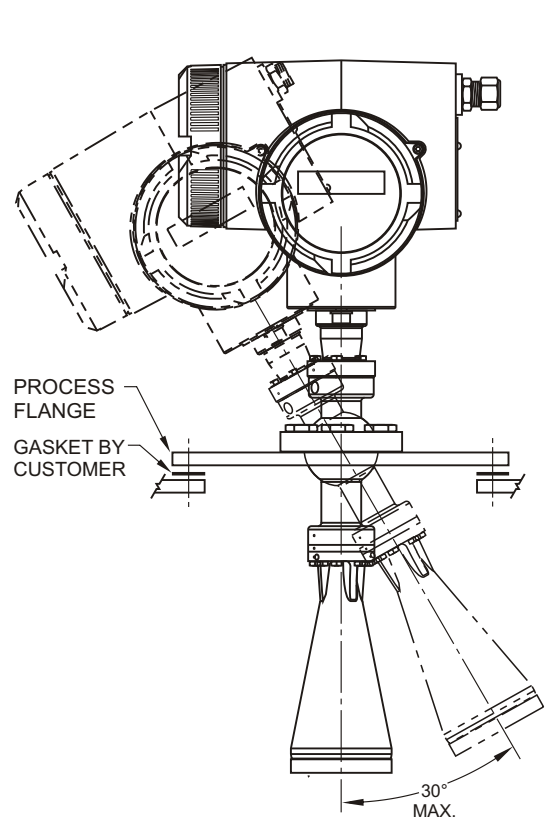
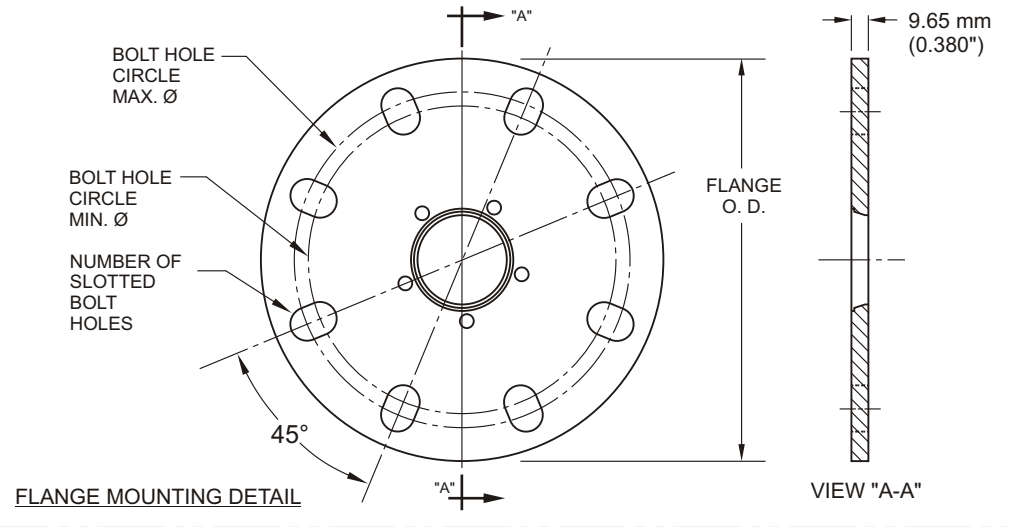
**NOTE:**

- 1) INSTALLATION SHALL ONLY BE PERFORMED BY QUALIFIED PERSONNEL IN ACCORDANCE WITH LOCAL GOVERNING REGULATIONS.
- 2) THE EQUIPMENT MUST BE PROTECTED BY A 15 A FUSE OR CIRCUIT BREAKER IN THE BUILDING INSTALLATION.
- 3) THE CIRCUIT BREAKER OR SWITCH IN THE BUILDING INSTALLATION, MARKED AS THE DISCONNECT SWITCH, SHALL BE IN CLOSE PROXIMITY TO THE EQUIPMENT AND WITHIN EASY REACH OF THE OPERATOR.
- 4) MAXIMUM PROCESS PRESSURE 0.5 BAR (7.5 PSI), MAXIMUM AMBIENT TEMP. (SURROUNDING ENCLOSURE) 315 65 °C (149 °F). MAXIMUM TEMPERATURE AT UNDERSIDE OF PROCESS FLANGE IS 200 °C. SEE INSTRUCTION MANUAL FOR AMBIENT VS PROCESS TEMPERATURE DE-RATING CHART.
- 5) CUSTOMER TO PROVIDE ADEQUATE BOLTING AND GASKET TO RETAIN VESSEL PRESSURE AND PROVIDE SUFFICIENT SEATING.
- 6) ENCLOSURE RATING TYPE 4X / NEMA 4X, TYPE 6 / NEMA 6, IP67
- 7) MINIMUM 14 AWG COPPER WIRE FOR AC INPUT CIRCUIT
- 8) 4 – 20 mA, USE 14 – 20 AWG SHIELDED COPPER WIRE.
- 9) RECOMMENDED TORQUE ON TERMINAL CLAMPING SCREWS: 0.5 - 0.6 Nm
- 10) THE PURGE CONNECTION IS CLOSED BY THE MANUFACTURER, USING A 1/8" PLUG. WHEN THE PLUG IS REMOVED TO CONNECT A PURGING SYSTEM, THE OPERATOR IS RESPONSIBLE FOR ENSURING THAT THE PURGING CIRCUIT CONFORMS TO "Ex" REQUIREMENTS: FOR EXAMPLE, BY FITTING A NON-RETURN VALVE (NRV). SEE INSTRUCTION MANUAL FOR OTHER PURGE DETAILS.
- 11) INSTALL IN ACCORDANCE WITH WIRING AND INSTALLATION IN THE HART APPLICATION GUIDE..



<b>USE DIMENSIONS ONLY - DO NOT SCALE</b>		1	FOR RELEASE PER ECO: 79B27601	RD	TL	OCT 25/2006
<b>DIMENSION ARE IN MILLIMETERS</b>		Rev.	Revision / ECN Description	Drawn	Appr.	Date
Third Angle Projection	Product Group RADAR	Tolerance Unless Otherwise Noted: UOS		Scale:	Size:	
	Date: 25 / OCTOBER / 2006	0 PLC DECIMAL ± 0.8 Angles:		NTS	B	
<b>FOR PUBLIC RELEASE</b>	Drawn: R. DOBROWOLSKI	1 PLC DECIMAL ± 0.3		<b>TITLE:</b> SITRANS LR 460 AC POWER, mA / HART COMM. INSTALLATION AND CONNECTION DRAWING		
	Checked: R. CLYSDALE	2 PLC DECIMAL ± 0.10				
	Approved: TIM LITTLE					
	Location: PETERBOROUGH					
<b>SIEMENS MILLTRONICS PROCESS INSTRUMENTS INC.</b> Peterborough, Ontario, Canada	<b>DRAWING No:</b> A5E00983422		Rev. 1			
File No. A5E00983422A01	Plot at: 1 : 1	Sheet 1 Of 1				

PIPE SIZE	FLANGE O.D.	BOLT HOLE CIRCLE MAX. Ø	BOLT HOLE CIRCLE MIN. Ø	BOLT HOLE RADUIS	NUMBER OF SLOTTED HOLES
3" (80 mm)	7.87" (200 mm)	6.30" (160 mm)	5.91" (150 mm)	0.38" (9.5 mm)	8
4" (100 mm)	9" (229 mm)	7.52" (191 mm)	6.89" (175 mm)	0.38" (9.5 mm)	8
6" (150 mm)	11.22" (285 mm)	9.53" (242 mm)	9.45" (240 mm)	0.45" (11.5 mm)	8

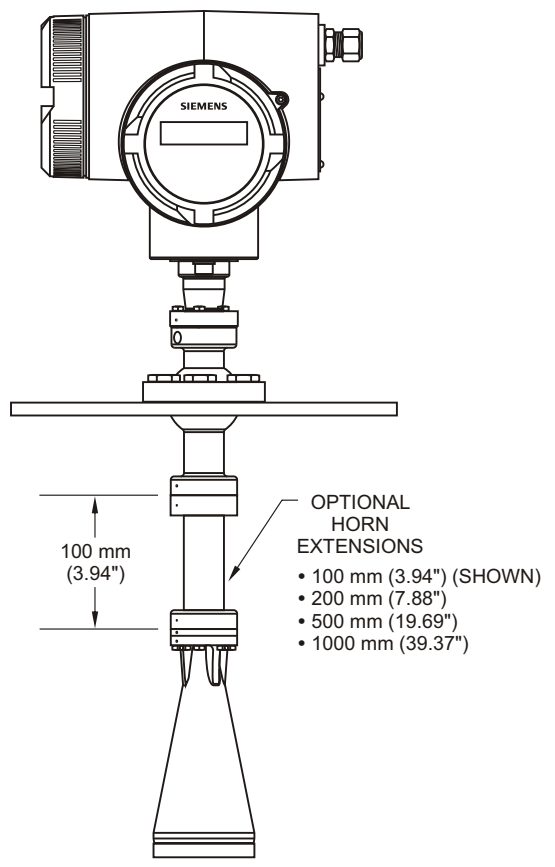
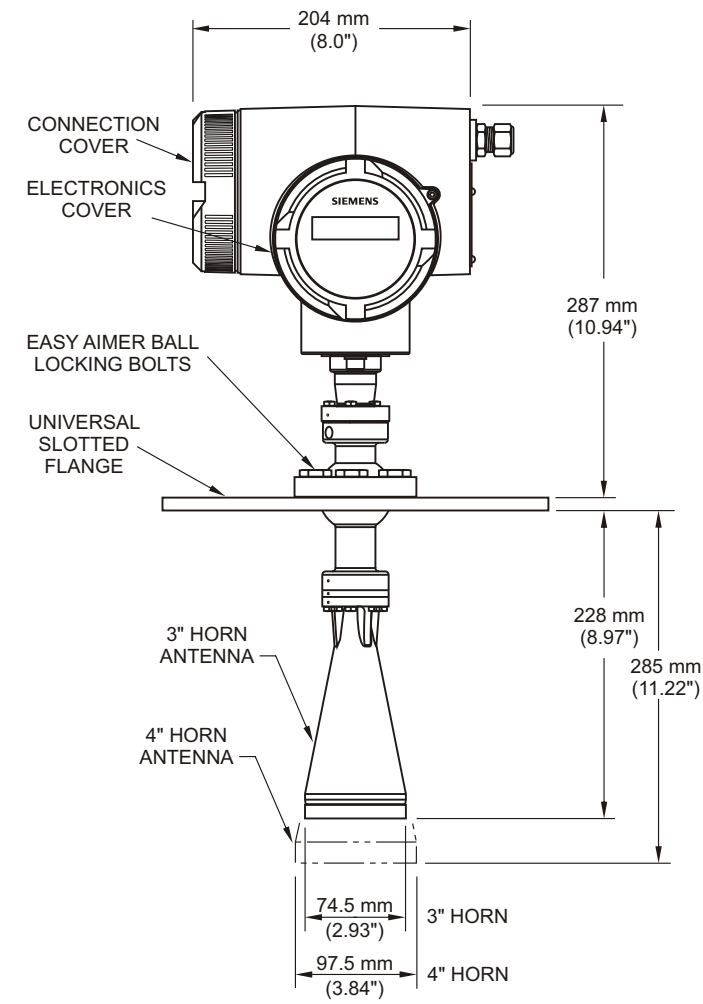


**! ALL FIELD WIRING MUST HAVE INSULATION SUITABLE FOR THE APPLIED INPUT VOLTAGE.**

PROGRAMMING BY INFRARED HANDHELD (OPTIONAL) OR BY SIMATIC PDM OVER HART

**NOTE:**

- 1) INSTALLATION SHALL ONLY BE PERFORMED BY QUALIFIED PERSONNEL IN ACCORDANCE WITH LOCAL GOVERNING REGULATIONS.
- 2) THE EQUIPMENT MUST BE PROTECTED BY A 15 A FUSE OR CIRCUIT BREAKER IN THE BUILDING INSTALLATION.
- 3) THE CIRCUIT BREAKER OR SWITCH IN THE BUILDING INSTALLATION, MARKED AS THE DISCONNECT SWITCH, SHALL BE IN CLOSE PROXIMITY TO THE EQUIPMENT AND WITHIN EASY REACH OF THE OPERATOR.
- 4) MAXIMUM PROCESS PRESSURE 0.5 BAR (7.5 PSI), MAXIMUM AMBIENT TEMP. (SURROUNDING ENCLOSURE) IS 65 °C (149 °F). MAXIMUM TEMPERATURE AT UNDERSIDE OF PROCESS FLANGE IS 200 °C. SEE INSTRUCTION MANUAL FOR AMBIENT VS PROCESS TEMPERATURE DE-RATING CHART.
- 5) CUSTOMER TO PROVIDE ADEQUATE BOLTING AND GASKET TO RETAIN VESSEL PRESSURE AND PROVIDE SUFFICIENT SEATING.
- 6) ENCLOSURE RATING TYPE 4X / NEMA 4X, TYPE 6 / NEMA 6, IP67
- 7) DC INPUT TO BE 14 - 20 AWG, SHIELDED COPPER WIRE. DC INPUT TERMINAL SHALL BE SUPPLIED FROM AN SELV SOURCE IN ACCORDANCE WITH IEC 1010-1 ANNEX H
- 8) RECOMMENDED TORQUE ON TERMINAL CLAMPING SCREWS: 0.5 - 0.6 Nm
- 9) THE PURGE CONNECTION IS CLOSED BY THE MANUFACTURER, USING A 1/8" PLUG. WHEN THE PLUG IS REMOVED TO CONNECT A PURGING SYSTEM, THE OPERATOR IS RESPONSIBLE FOR ENSURING THAT THE PURGING CIRCUIT CONFORMS TO "Ex" REQUIREMENTS: FOR EXAMPLE, BY FITTING A NON-RETURN VALVE (NRV). SEE INSTRUCTION MANUAL FOR OTHER PURGE DETAILS.
- 10) INSTALL IN ACCORDANCE WITH WIRING AND INSTALLATION IN THE HART APPLICATION GUIDE..



<b>USE DIMENSIONS ONLY - DO NOT SCALE</b>		1	FOR RELEASE PER ECO: 79B27601	RD	TL	OCT 25/2006
<b>DIMENSION ARE IN MILLIMETERS</b>		Rev.	Revision / ECN Description	Drawn	Appr.	Date
Third Angle Projection	Product Group: RADAR	Tolerance Unless Otherwise Noted: UOS		Scale: NTS	Size: B	
FOR PUBLIC RELEASE	Date: 25 / OCTOBER / 2006	0 PLC DECIMAL ± 0.8 Angles:		<b>TITLE:</b> SITRANS LR 460 DC POWER, mA / HART COMM. INSTALLATION AND CONNECTION DRAWING		
	Drawn: R. DOBROWOLSKI	1 PLC DECIMAL ± 0.3				
	Checked: R. CLYSDALE	2 PLC DECIMAL ± 0.10				
	Approved: TIM LITTLE	SIEMENS MILLTRONICS PROCESS INSTRUMENTS INC.				
	Location: PETERBOROUGH	Peterborough, Ontario, Canada				
SIEMENS MILLTRONICS PROCESS INSTRUMENTS INC.		DRAWING No: A5E00983434		Rev. 1		
Peterborough, Ontario, Canada		File No. A5E00983434A01		Plot at: 1 : 1		Sheet 1 Of 1