

Overview



The Probe is a short-range integrated ultrasonic level transmitter, ideal for liquids and slurries in open or closed vessels.

Benefits

- Easy to install, program and maintain
- Accurate and reliable
- Sanitary models available
- Sonic Intelligence echo processing
- Integral temperature compensation

Application

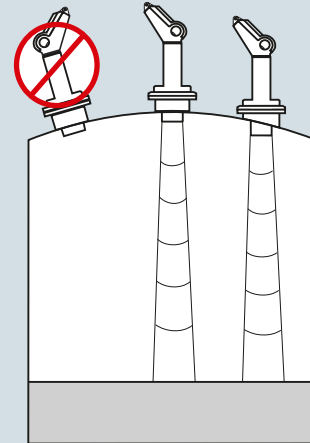
The transducer is available in PVDF copolymer, making the device suitable for use in a wide variety of applications. The Probe is easy to install and maintain, and can be quickly removed for cleaning as required by the food, beverage and pharmaceutical industries.

The reliability of the level data is based on the Sonic Intelligence echo processing algorithms. A filter discriminates between the true echo and false echoes from acoustic or electrical noises and agitator blades in motion. The ultrasonic pulse propagation time to the material and back is temperature-compensated and converted into distance for display, analog output and relay actuation.

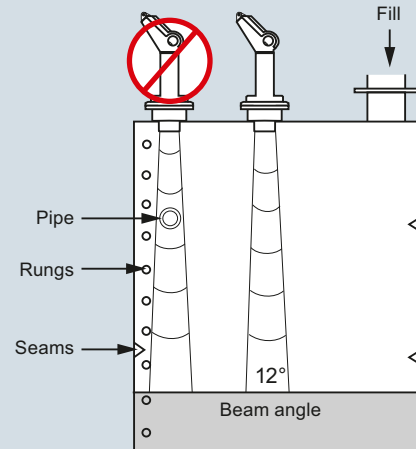
- Key Applications: chemical storage vessels, filter beds, mud pits, liquid storage vessels, food applications

Configuration

Parabolic mounting



Flat mounting and beam angle



The Probe mounting

Level Measurement

Continuous level measurement - Ultrasonic transmitters

The Probe

Technical specifications

	Three-wire version	Two-wire version (standard)
Mode of operation		
Measuring principle	Ultrasonic level measurement	Ultrasonic level measurement
Input		
Measuring range	0.25 ... 5 m (0.8 ... 16.4 ft)	0.25 ... 5 m (0.8 ... 16.4 ft)
Frequency	54 kHz	54 kHz
Output		
mA	4 ... 20 mA	4 ... 20 mA
• Span	Proportional/ inversely proportional	Proportional/ inversely proportional
• Max. load	750 Ω at 24 V DC	600 Ω in the loop at 24 V DC
Relay	For level alarm or fault	No
Power supply		
Supply voltage	18 ... 30 V DC, max. 0.2 A	12 ... 30 V DC, 0.1 A surge
Max. power consumption	5 W (200 mA at 24 V DC)	0.75 W (25 mA at 24 V DC)
Certificates and approvals		
	CE, RCM, CSA _{US/C} , FM	CE, RCM, CSA _{US/C}
Accuracy		
Error in measurement	0.25 % of measuring range (in air)	
Resolution	3 mm (0.125 inch)	
Temperature compensation	Built in	
Echo processing	Sonic Intelligence	
Rated operation conditions		
Beam angle	12°	
Ambient temperature		
• Standard	-40 ... +60 °C (-40 ... +140 °F)	
• Metallic mounting	-20 ... +60 °C (-4 ... +140 °F)	
Max. static operating pressure	Normal atmospheric pressure	
Degree of protection	IP65	
Design		
Weight		
• Without flange adapter	1.5 kg (3.3 lb)	
• With flange adapter	1.7 kg (3.7 lb)	
Material		
• Electronics enclosure	PVC	
• Transducer	PVDF copolymer	
Degree of protection	IP65	
Process connection	2" NPT [(Taper), ANSI/ASME B1.20.1] R 2" [(BSPT), EN 10226] or G 2" [(BSPP), EN ISO 228-1]	
Flange adapter	3" Universal, (fits DN 65, PN 10 and 3"ASME) 4" sanitary	
Cable inlet	2 inlets for PG 16 or ½" NPT cable glands	

Selection and Ordering data

The Probe

Short-range integrated ultrasonic level transmitter, ideal for liquids and slurries in open or closed vessels

➤ Click on the Article No. for the online configuration in the PIA Life Cycle Portal.

Measuring range

5 m (16.40 ft)

Transducer/Process connection

PVDF copolymer, 2" NPT [(Taper), ANSI/ASME B1.20.1] **E**
 PVDF copolymer, R 2" [(BSPT), EN 10226] **F**
 PVDF copolymer, G 2" [(BSPP), EN ISO 228-1] **G**
 PVDF copolymer, 4" Sanitary mounting **J**

Model/Approval

3 Wire, 24 V DC, CE, RCM, CSA, FM **E**
 2 Wire, 24 V DC, CE, RCM, CSA **F**

◆ We can offer shorter delivery times for configurations designated with the Quick Ship Symbol ◆. For details see page 9/5 in the appendix.

Article No.

7ML1201-

00

00

00

00

00

00

00

00

00

00

00

00

00

00

00

00

00

00

00

00

00

00

00

00

00

00

00

00

00

00

00

00

00

00

00

00

00

00

00

00

00

00

00

00

00

00

00

00

00

00

00

00

00

00

00

00

00

00

00

00

00

00

00

00

00

00

Selection and Ordering data

Further designs

Please add **"-Z"** to Article No. and specify Order code(s).

Acrylic coated, stainless steel tag [13 x 45 mm (0.5 x 1.75 inch)]: Measuring-point number/identification (max. 20 characters) specify in plain text **Y17**

Additional Operating Instructions

3 Wire, 24 V model, Multi-language manual **7ML1998-5GD62**
 2 Wire model, Multi-language manual **A5E32243983**

Accessories

Universal Box Bracket Mounting kit **7ML1830-1BK**

Sanitary 4" mounting clamp **7ML1830-1BR**

3" ASME, DN 65 PN 10, JIS 10K 3B ETFE Flange adapter for 2" NPT **7ML1830-1BT**

3" ASME, DN 65 PN 10, JIS 10K 3B ETFE Flange adapter for 2" BSPT **7ML1830-1BU**

2" NPT locknut, plastic **7ML1830-1DT**

2" BSPT locknut, plastic **7ML1830-1DQ**

Plastic M20 cable gland with metal locknut **7ML1930-1DB**

SITRANS RD100, loop powered display - see Chapter 7 **7ML5741-...**

SITRANS RD200, universal input display with Modbus conversion - see Chapter 7 **7ML5740-...**

SITRANS RD300, dual line display with totalizer and linearization curve and Modbus conversion - see Chapter 7 **7ML5744-...**

SITRANS RD500 web, universal remote monitoring solution for instrumentation - see Chapter 7 **7ML5750-...**

For applicable back up point level switch see point level measurement section.

◆ We can offer shorter delivery times for configurations designated with the Quick Ship Symbol ◆. For details see page 9/5 in the appendix.

Order code

Article No.

7ML1998-5GD62

A5E32243983

7ML1830-1BK

7ML1830-1BR

7ML1830-1BT

7ML1830-1BU

7ML1830-1DT

7ML1830-1DQ

7ML1930-1DB

7ML5741-...

7ML5740-...

7ML5744-...

7ML5750-...

◆ We can offer shorter delivery times for configurations designated with the Quick Ship Symbol ◆. For details see page 9/5 in the appendix.

◆ We can offer shorter delivery times for configurations designated with the Quick Ship Symbol ◆. For details see page 9/5 in the appendix.

◆ We can offer shorter delivery times for configurations designated with the Quick Ship Symbol ◆. For details see page 9/5 in the appendix.

◆ We can offer shorter delivery times for configurations designated with the Quick Ship Symbol ◆. For details see page 9/5 in the appendix.

◆ We can offer shorter delivery times for configurations designated with the Quick Ship Symbol ◆. For details see page 9/5 in the appendix.

◆ We can offer shorter delivery times for configurations designated with the Quick Ship Symbol ◆. For details see page 9/5 in the appendix.

◆ We can offer shorter delivery times for configurations designated with the Quick Ship Symbol ◆. For details see page 9/5 in the appendix.

◆ We can offer shorter delivery times for configurations designated with the Quick Ship Symbol ◆. For details see page 9/5 in the appendix.

◆ We can offer shorter delivery times for configurations designated with the Quick Ship Symbol ◆. For details see page 9/5 in the appendix.

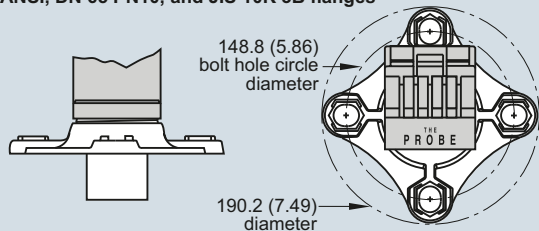
◆ We can offer shorter delivery times for configurations designated with the Quick Ship Symbol ◆. For details see page 9/5 in the appendix.

◆ We can offer shorter delivery times for configurations designated with the Quick Ship Symbol ◆. For details see page 9/5 in the appendix.

◆ We can offer shorter delivery times for configurations designated with the Quick Ship Symbol ◆. For details see page 9/5 in the appendix.

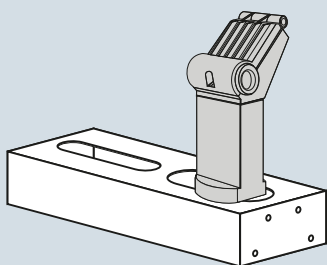
Options

Flange adapter for mating 2" NPT or 2" BSP process connections to 3" ANSI, DN 65 PN10, and JIS 10K 3B flanges



The Probe Optional Flange Adapter, dimensions in mm (inch)

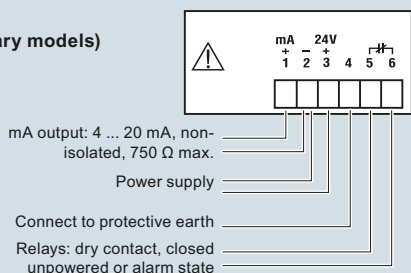
The Probe with FMS 200 mounting bracket



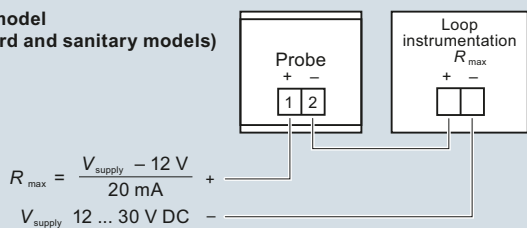
The Probe with Optional Mounting Bracket

Schematics

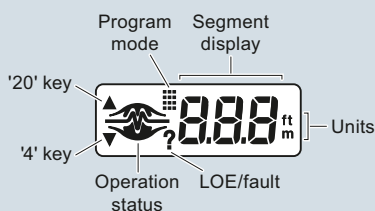
3 wire model (standard and sanitary models)



2 wire model (standard and sanitary models)



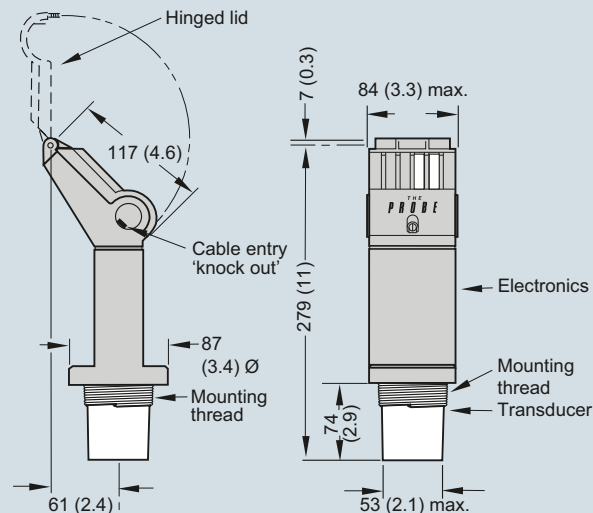
Display



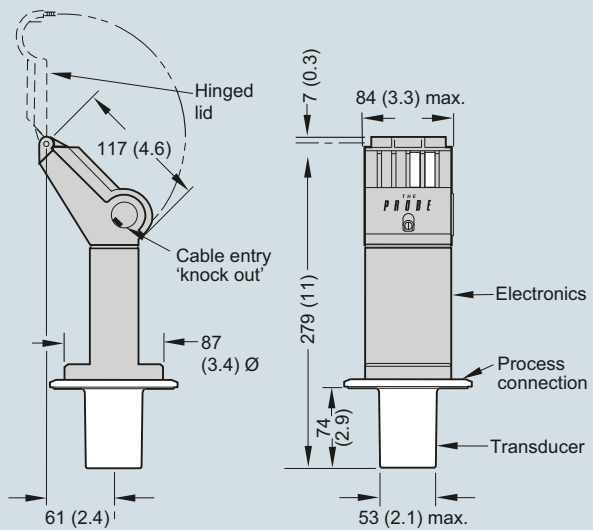
The Probe connections

Dimensional drawings

Standard model



Sanitary model



The Probe, dimensions in mm (inch)